

COMPAL CONFIDENTIAL

MODEL NAME : **NAW20**

PCB NO : **LS-5673P**

Revision : **0.2**

NAW20 CULV 14

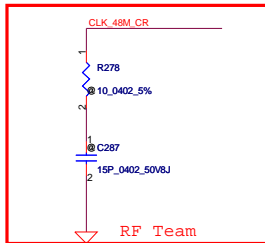
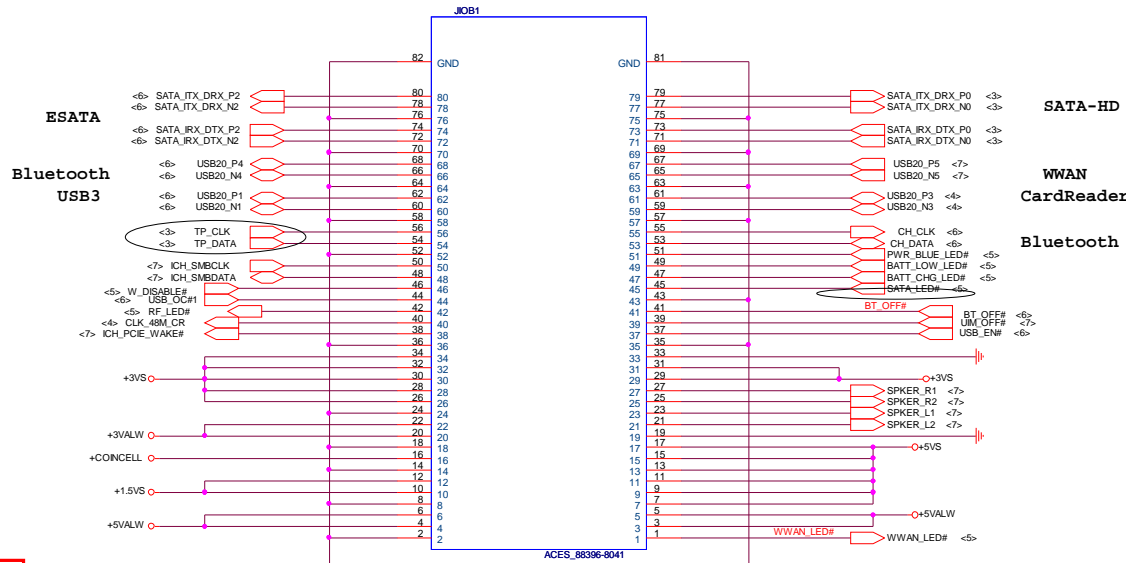
Compal Confidential

Schematic Document

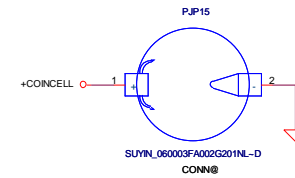
Cantiga GS + ICH9M-SFF

2009 / 6 / 25 Rev:0.2

Security Classification	Compal Secret Data		Compal Electronics, Inc.	
Issued Date	2009/2/6	Deciphered Date	2010/2/6	
<small>THIS SHEET OF ENGINEERING DRAWING IS THE PROPRIETARY PROPERTY OF COMPAL ELECTRONICS, INC. AND CONTAINS CONFIDENTIAL AND TRADE SECRET INFORMATION. THIS SHEET MAY NOT BE TRANSFERRED FROM THE CUSTODY OF THE COMPETENT DIVISION OF R&D DEPARTMENT EXCEPT AS AUTHORIZED BY COMPAL ELECTRONICS, INC. NEITHER THIS SHEET NOR THE INFORMATION IT CONTAINS MAY BE USED BY OR DISCLOSED TO ANY THIRD PARTY WITHOUT PRIOR WRITTEN CONSENT OF COMPAL ELECTRONICS, INC.</small>			Title	Cover Page
			Size	Document Number
Custom	LS-5673P	0.2	Date:	Wednesday, July 01, 2009
			Sheet	1 of 9

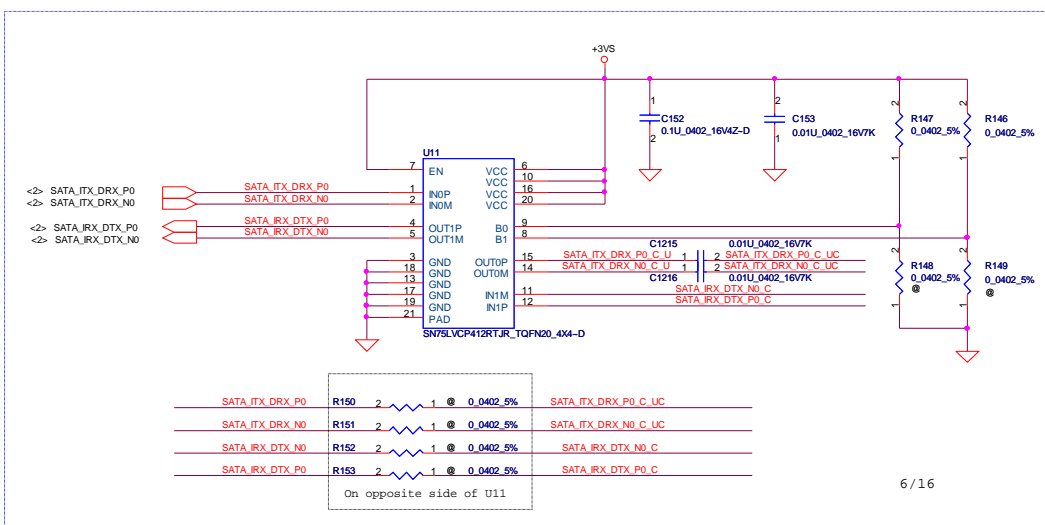
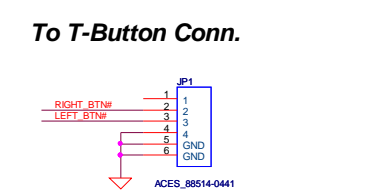
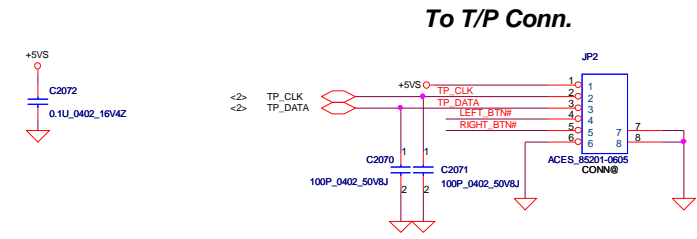
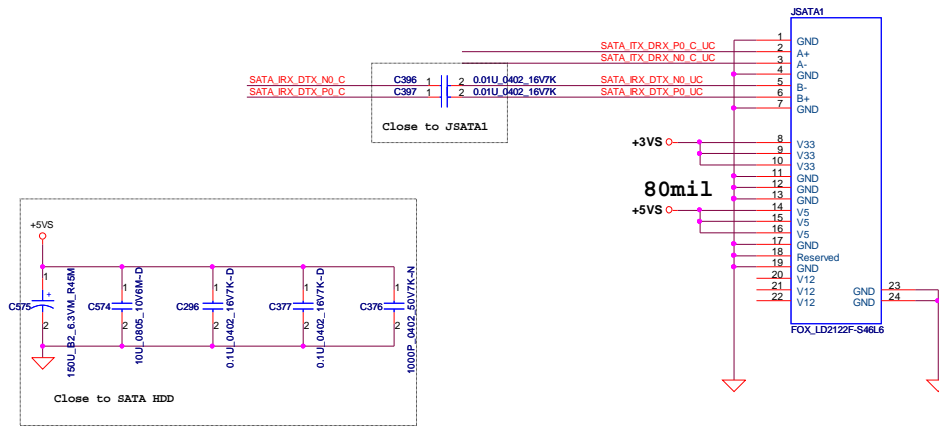


COIN RTC Battery



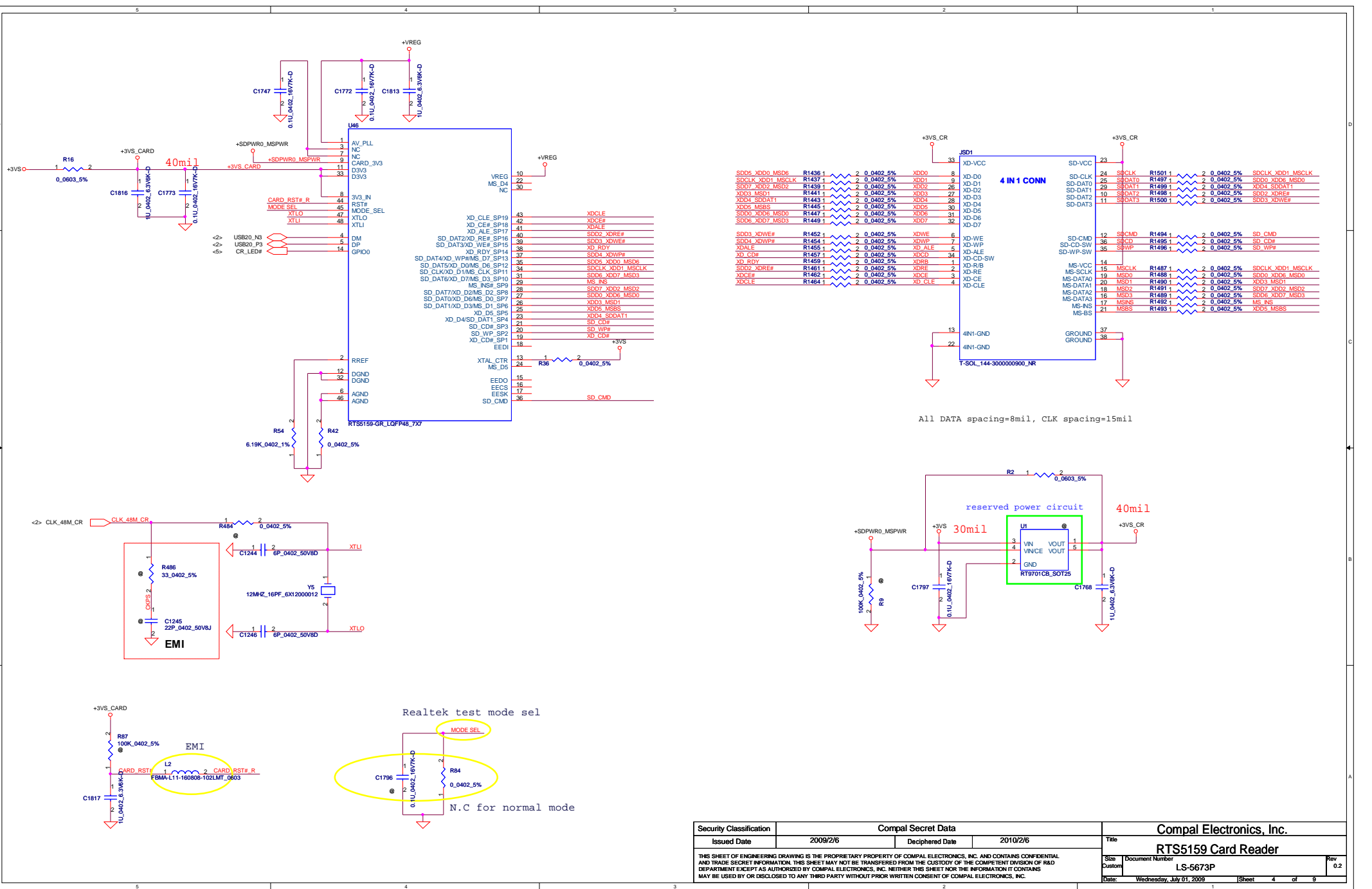
Security Classification	Compal Secret Data		Compal Electronics, Inc.	
Issued Date	2009/2/6	Deciphered Date	2010/2/6	Title
THIS SHEET OF ENGINEERING DRAWING IS THE PROPRIETARY PROPERTY OF COMPAL ELECTRONICS, INC. AND CONTAINS CONFIDENTIAL AND TRADE SECRET INFORMATION. THIS SHEET MAY NOT BE TRANSFERRED FROM THE CUSTODY OF THE COMPETENT DIVISION OF R&D DEPARTMENT EXCEPT AS AUTHORIZED BY COMPAL ELECTRONICS, INC. NEITHER THIS SHEET NOR THE INFORMATION IT CONTAINS MAY BE USED BY OR DISCLOSED TO ANY THIRD PARTY WITHOUT PRIOR WRITTEN CONSENT OF COMPAL ELECTRONICS, INC.				BTB Connector / RTC
Size	Document Number			Rev
Custom	LS-5673P			0.2
Date:	Wednesday, July 01, 2009	Sheet	2 of 9	

SATA HDD CONN



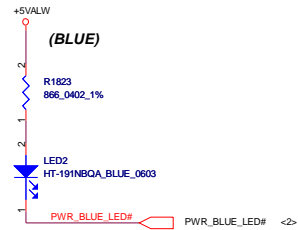
TI:DO D1			MAX4951		SN75LVCP412	
EN	BA	BB	CHANNEL A	CHANNEL B	CHANNEL 0	CHANNEL 1
0	X	X	Stand-by	Stand-by	Low-power	Low-power
1	0	0	Standard SATA	Standard SATA	0dB	0dB
1	1	0	Boost	Standard SATA	2.5dB pre-emphasis	0dB
1	0	1	Standard SATA	Boost	0dB	2.5dB pre-emphasis
1	1	1	Boost	Boost	2.5dB pre-emphasis	2.5dB pre-emphasis

(Default)

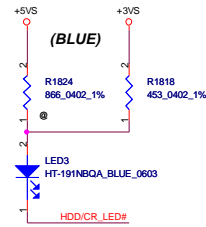


Security Classification	Compal Secret Data		Title	
Issued Date	2009/2/6	Deciphered Date	2010/2/6	Compal Electronics, Inc.
THIS SHEET OF ENGINEERING DRAWING IS THE PROPRIETARY PROPERTY OF COMPAL ELECTRONICS, INC. AND CONTAINS CONFIDENTIAL AND TRADE SECRET INFORMATION. THIS SHEET MAY NOT BE TRANSFERRED FROM THE CUSTODY OF THE COMPETENT DIVISION OF R&D DEPARTMENT EXCEPT AS AUTHORIZED BY COMPAL ELECTRONICS, INC. NEITHER THIS SHEET NOR THE INFORMATION IT CONTAINS MAY BE USED BY OR DISCLOSED TO ANY THIRD PARTY WITHOUT PRIOR WRITTEN CONSENT OF COMPAL ELECTRONICS, INC.				Document Number LS-5673P
Date: Wednesday, July 01, 2009				Sheet 4 of 9

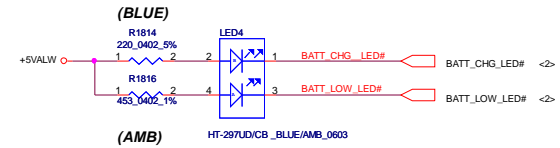
POWER_LED



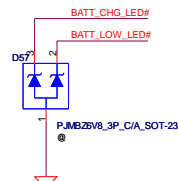
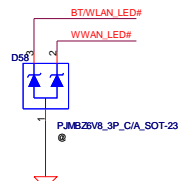
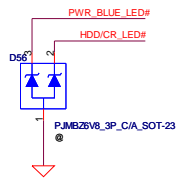
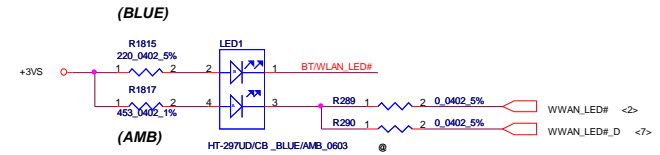
HDD_LED



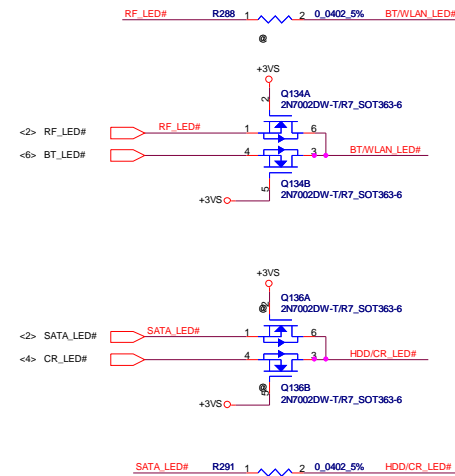
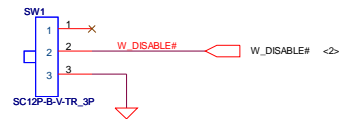
Battery_LED



Wireless/BT/3G_LED

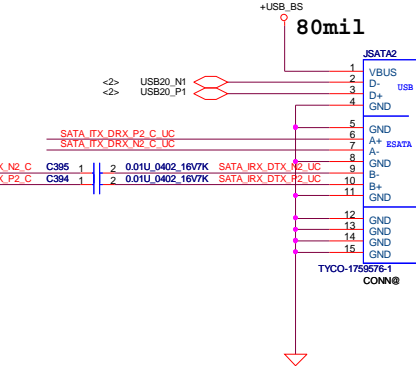
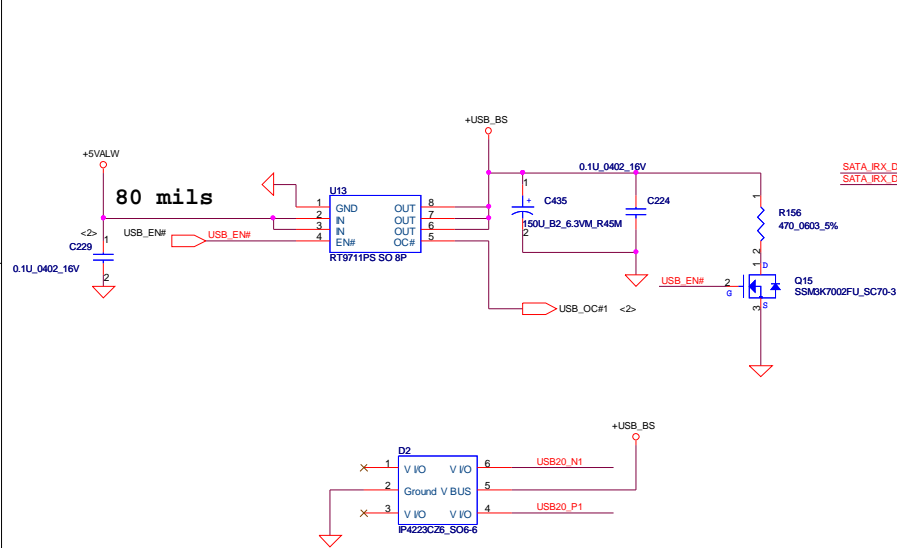


Wireless Switch

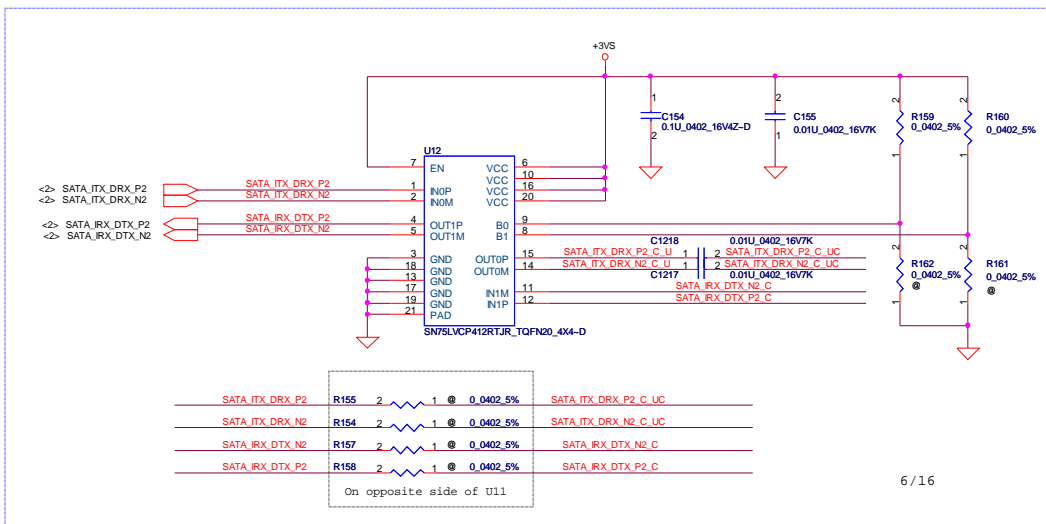
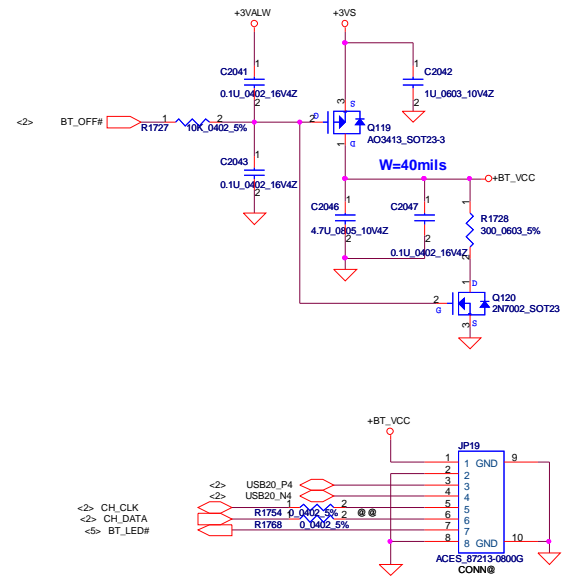


Security Classification		Compal Secret Data		Compal Electronics, Inc.	
Issued Date	2009/2/6	Deciphered Date	2010/2/6	Title	
THIS SHEET OF ENGINEERING DRAWING IS THE PROPRIETARY PROPERTY OF COMPAL ELECTRONICS, INC. AND CONTAINS CONFIDENTIAL AND TRADE SECRET INFORMATION. THIS SHEET MAY NOT BE TRANSFERRED FROM THE CUSTODY OF THE COMPETENT DIVISION OF R&D DEPARTMENT EXCEPT AS AUTHORIZED BY COMPAL ELECTRONICS, INC. NEITHER THIS SHEET NOR THE INFORMATION IT CONTAINS MAY BE USED BY OR DISCLOSED TO ANY THIRD PARTY WITHOUT PRIOR WRITTEN CONSENT OF COMPAL ELECTRONICS, INC.				Size	Rev
				Custom	0.2
				Date: Wednesday, July 01, 2009	Sheet 5 of 9
				Document Number	
				LS-5673P	

ESATA+USB

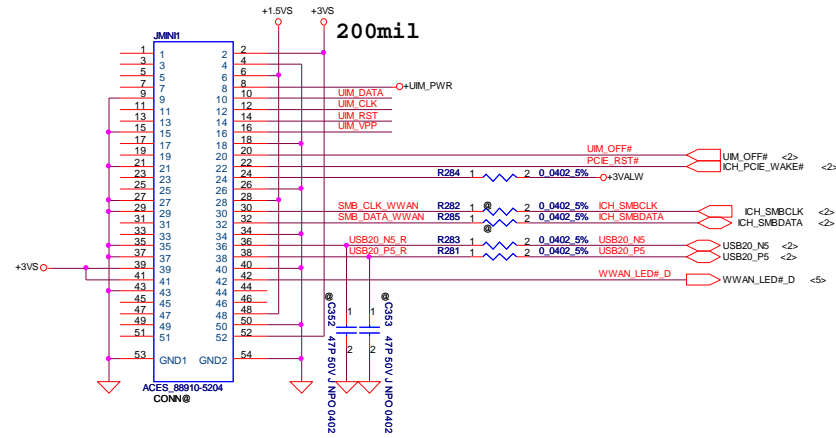
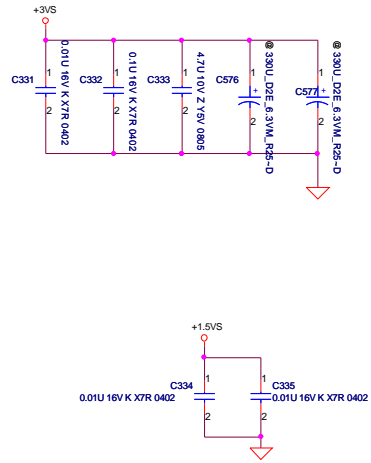


BLUETOOTH

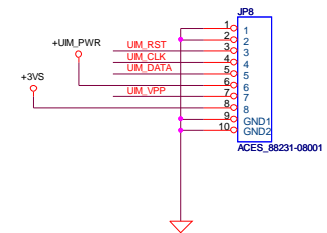


TI:D0 D1	MAX4951		SN75LVCP412		(Default)	
	EN	BA BB	CHANNEL A	CHANNEL B		CHANNEL 0
0 X X			Stand-by	Stand-by	Low-power	Low-power
1 0 0			Standard SATA	Standard SATA	0dB	0dB
1 1 0			Boost	Standard SATA	2.5dB pre-emphasis	0dB
1 0 1			Standard SATA	Boost	0dB	2.5dB pre-emphasis
1 1 1			Boost	Boost	2.5dB pre-emphasis	2.5dB pre-emphasis

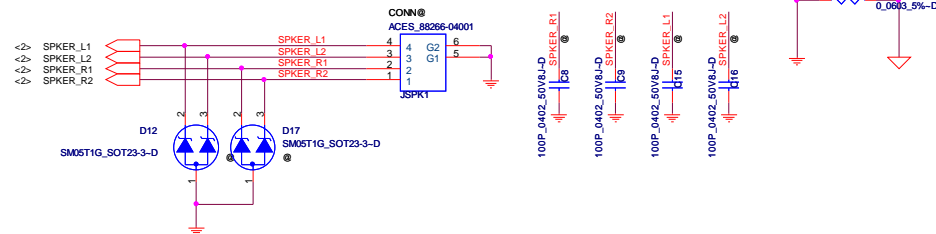
MINI PCI



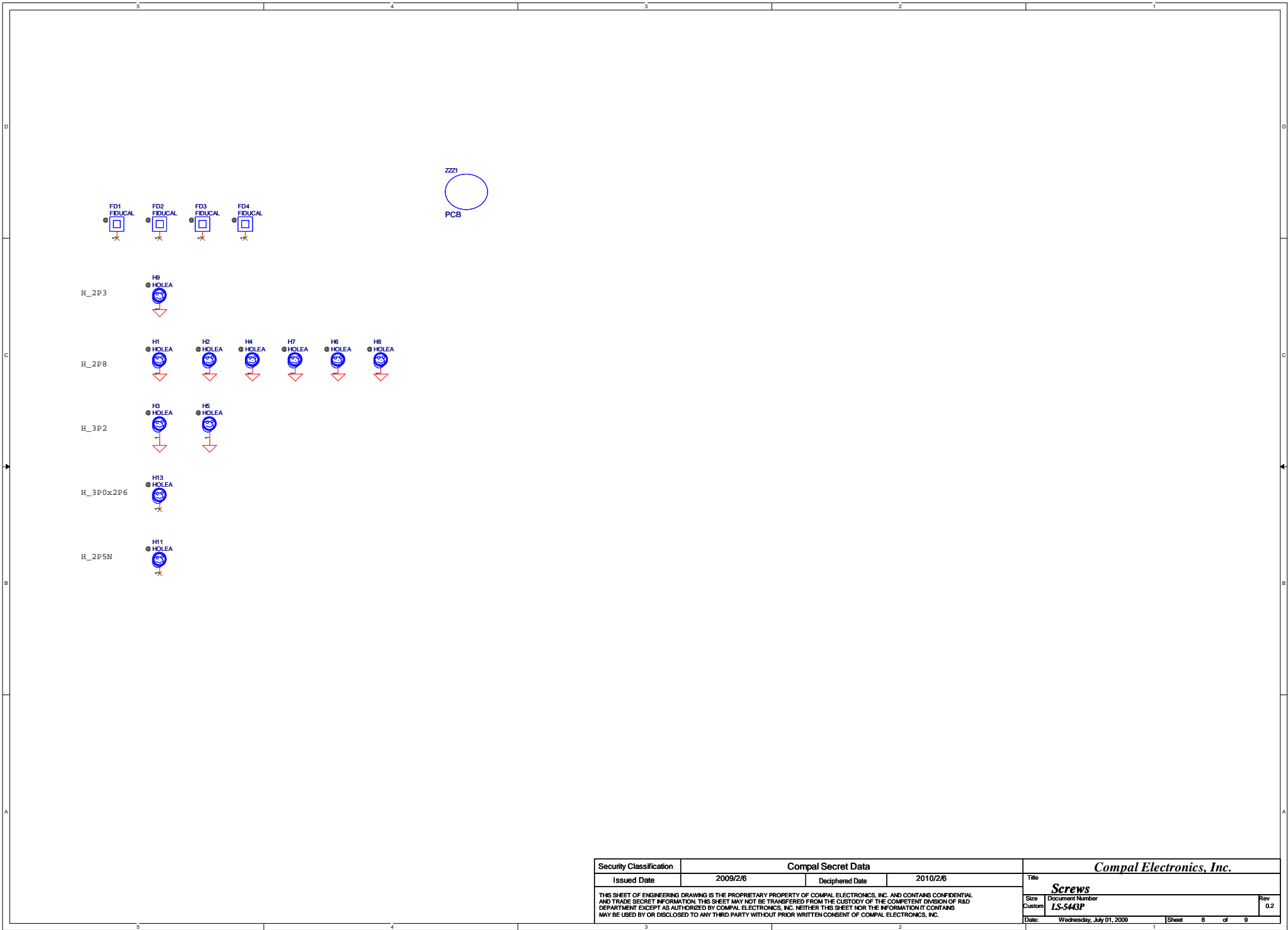
SIM CARD CONN



Speaker Connector



Security Classification	Compal Secret Data		Title	
Issued Date	2009/01/06	Deciphered Date	2009/01/06	WWAN/SIM/Speaker conn
THIS SHEET OF ENGINEERING DRAWING IS THE PROPRIETARY PROPERTY OF COMPAL ELECTRONICS, INC. AND CONTAINS CONFIDENTIAL AND TRADE SECRET INFORMATION. THIS SHEET MAY NOT BE TRANSFERRED FROM THE CUSTODY OF THE COMPETENT DIVISION OF R&D DEPARTMENT EXCEPT AS AUTHORIZED BY COMPAL ELECTRONICS, INC. NEITHER THIS SHEET NOR THE INFORMATION IT CONTAINS MAY BE USED BY OR DISCLOSED TO ANY THIRD PARTY WITHOUT PRIOR WRITTEN CONSENT OF COMPAL ELECTRONICS, INC.				Size Custom
				Document Number LS-5591P
				Rev 0.2
Date: Wednesday, July 01, 2009				Sheet 7 of 9



Security Classification	Compal Secret Data		Title	
Issued Date	2009/2/6	Deciphered Date	2010/2/6	
<small>THIS SHEET OF ENGINEERING DRAWING IS THE PROPRIETARY PROPERTY OF COMPAL ELECTRONICS, INC. AND CONTAINS CONFIDENTIAL AND TRADE SECRET INFORMATION. THIS SHEET MAY NOT BE TRANSFERRED FROM THE CUSTODY OF THE COMPETENT DIVISION OF R&D DEPARTMENT EXCEPT AS AUTHORIZED BY COMPAL ELECTRONICS, INC. NEITHER THIS SHEET NOR THE INFORMATION IT CONTAINS MAY BE USED BY OR DISCLOSED TO ANY THIRD PARTY WITHOUT PRIOR WRITTEN CONSENT OF COMPAL ELECTRONICS, INC.</small>			Size	Rev
			Custom	LS-5443P
Date:	Wednesday, July 01, 2009	Sheet	8	of 9

Version change list (P.I.R. List)

Item	Fixed Issue	Reason for change	Rev.	PG#	Modify List
1		Change SPK to IO2 Board			Modify JIOB1 Pin21,23,25,27
2		Change LID Function to Power Board			Modify JIOB1 Pin43
3					
4					
5					
6					
7					
8					
9					
10					
11					
12					
13					
14					
15					
16					
17					
18					
19					
20					
21					
22					
23					
24					
25					
26					

Security Classification	Compal Secret Data		Compal Electronics, Inc.	
Issued Date	2009/2/6	Deciphered Date	2010/2/6	Title
<small>THIS SHEET OF ENGINEERING DRAWING IS THE PROPRIETARY PROPERTY OF COMPAL ELECTRONICS, INC. AND CONTAINS CONFIDENTIAL AND TRADE SECRET INFORMATION. THIS SHEET MAY NOT BE TRANSFERRED FROM THE CUSTODY OF THE COMPETENT DIVISION OF R&D DEPARTMENT EXCEPT AS AUTHORIZED BY COMPAL ELECTRONICS, INC. NEITHER THIS SHEET NOR THE INFORMATION IT CONTAINS MAY BE USED BY OR DISCLOSED TO ANY THIRD PARTY WITHOUT PRIOR WRITTEN CONSENT OF COMPAL ELECTRONICS, INC.</small>				HW_PIR
				Size Custom
Date: Wednesday, July 01, 2009		Sheet 9 of 9		