

Compal Confidential

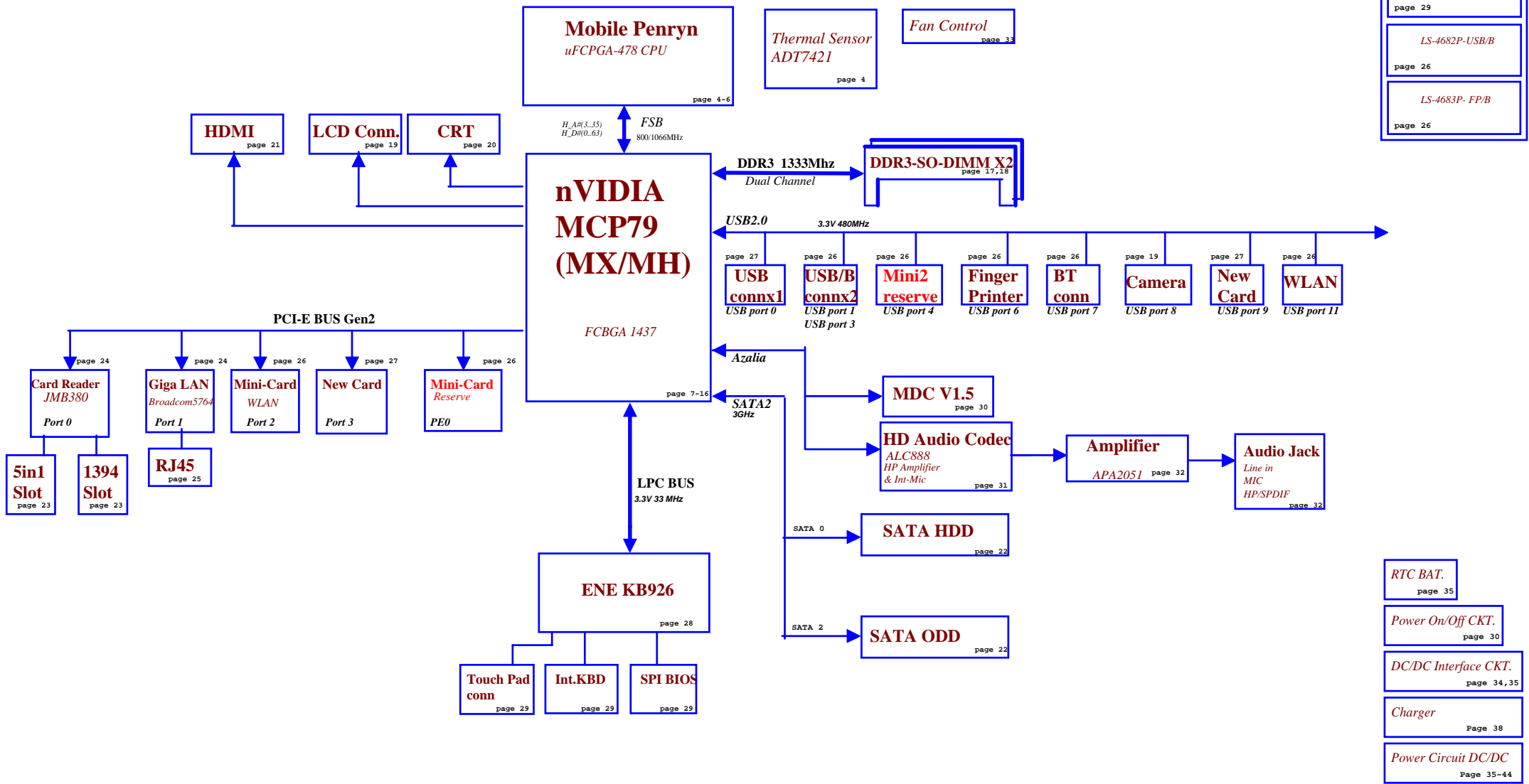
KALA0 Schematics Document Intel Processor with MCP79

2008-12-11

REV: 2.0

Dr-Bios.com

Security Classification	Compal Secret Data			Compal Electronics, Inc.	
Issued Date	2007/09/14	Deciphered Date	2008/04/04	Title	SCHMATIC MB A4681
THIS SHEET OF ENGINEERING DRAWING IS THE PROPRIETARY PROPERTY OF COMPAL ELECTRONICS, INC. AND CONTAINS CONFIDENTIAL AND TRADE SECRET INFORMATION. THIS SHEET MAY NOT BE TRANSFERRED FROM THE CUSTODY OF THE COMPETENT DIVISION OF R&D DEPARTMENT EXCEPT AS AUTHORIZED BY COMPAL ELECTRONICS, INC. NEITHER THIS SHEET NOR THE INFORMATION IT CONTAINS MAY BE USED BY OR DISCLOSED TO ANY THIRD PARTY WITHOUT PRIOR WRITTEN CONSENT OF COMPAL ELECTRONICS, INC.				Size B	Document Number 401627
				Date:	Thursday, January 15, 2009
				Sheet	1 of 48



Security Classification	Compal Secret Data		Compal Electronics, Inc.	
Issued Date	2007/10/25	Deciphered Date	2008/10/25	Title
THIS SHEET OF ENGINEERING DRAWING IS THE PROPRIETARY PROPERTY OF COMPAL ELECTRONICS, INC. AND CONTAINS CONFIDENTIAL AND TRADE SECRET INFORMATION. THIS SHEET MAY NOT BE TRANSFERRED FROM THE CUSTODY OF THE COMPETENT DIVISION OF R&D DEPARTMENT EXCEPT AS AUTHORIZED BY COMPAL ELECTRONICS, INC. NEITHER THIS SHEET NOR THE INFORMATION IT CONTAINS MAY BE USED BY OR DISCLOSED TO ANY THIRD PARTY WITHOUT PRIOR WRITTEN CONSENT OF COMPAL ELECTRONICS, INC.				Size
				Document Number
				401627
				Rev
				D
Date		Thursday, January 15, 2009		Sheet 2 of 48

Dr-Bios.com

Voltage Rails

Power Plane	Description	S0	S3	S5
VIN	Adapter power supply (19V)	N/A	N/A	N/A
B+	AC or battery power rail for power circuit.	N/A	N/A	N/A
+CPU_CORE	Core voltage for CPU	ON	OFF	OFF
+MCP_CORE	Core voltage for MCP79	ON	OFF	OFF
+1.05VS	1.05V switched power rail	ON	OFF	OFF
+1.1Valways	1.1Valways switched power rail	ON	ON	ON
+1.1VS	1.1Valways switched power rail	ON	OFF	OFF
+1.5V	1.5V switched power rail	ON	ON	OFF
+1.5VS	1.5V power rail for DDR3	ON	OFF	OFF
+0.75VS	0.75VS switched power rail	ON	OFF	OFF
+1.8VS	1.8VS switched power rail	ON	OFF	OFF
+3VALW	3.3V always on power rail	ON	ON	ON*
+3V	3.3V power rail for SB	ON	ON	X
+3V_LAN	3.3V power rail for LAN	ON	ON	X
+3VS	3.3V switched power rail	ON	OFF	OFF
+5VALW	5V always on power rail	ON	ON	ON*
+5VS	5V switched power rail	ON	OFF	OFF
+VSB	VSB always on power rail	ON	ON	ON*
+RTCVCC	RTC power	ON	ON	ON

Note : ON* means that this power plane is ON only with AC power available, otherwise it is OFF.

STATE	SIGNAL	SLP_S3#	SLP_S4#	SLP_S5#	+VALW	+V	+VS	Clock
Full ON	HIGH	HIGH	HIGH	HIGH	ON	ON	ON	ON
S1(Power On Suspend)	LOW	HIGH	HIGH	HIGH	ON	ON	ON	LOW
S3 (Suspend to RAM)	LOW	LOW	HIGH	HIGH	ON	ON	OFF	OFF
S4 (Suspend to Disk)	LOW	LOW	LOW	HIGH	ON	OFF	OFF	OFF
S5 (Soft OFF)	LOW	LOW	LOW	LOW	ON	OFF	OFF	OFF

Board ID / SKU ID Table for AD channel

Vcc	3.3V +/- 5%			
Ra	100K +/- 5%			
Board ID	Rb	VAD_BID min	VAD_BID typ	VAD_BID max
0	0	0 V	0 V	0 V
1	8.2K +/- 5%	0.216 V	0.250 V	0.289 V
2	18K +/- 5%	0.436 V	0.503 V	0.538 V
3	33K +/- 5%	0.712 V	0.819 V	0.875 V
4	56K +/- 5%	1.036 V	1.185 V	1.264 V
5	100K +/- 5%	1.453 V	1.650 V	1.759 V
6	200K +/- 5%	1.935 V	2.200 V	2.341 V
7	NC	2.500 V	3.300 V	3.300 V

BOARD ID Table

Board ID	PCB Revision
0	0.1
1	0.2, 0.3
2	
3	
4	
5	2.0
6	
7	1.0

BTO Option Table

Default Item	BOM Structure
	A01@
	mini2@
	385@
v	1394@
	Amic@
v	Dmic@

EC SM Bus1 address

Device	Address
Smart Battery	0001 011X b

EC SM Bus2 address

Device	Address
BMC1402	1001 100X b

MCP79 SM Bus 0 address

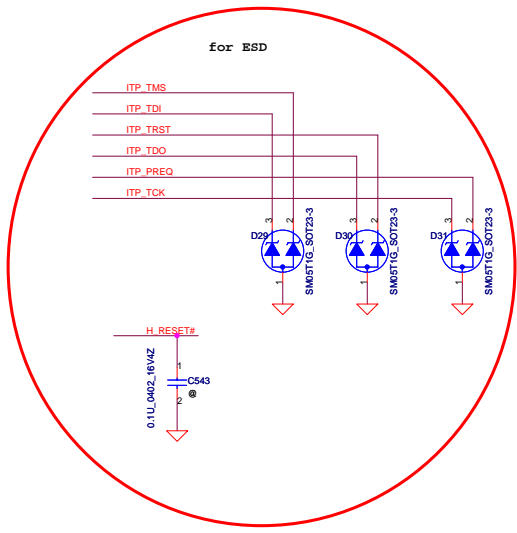
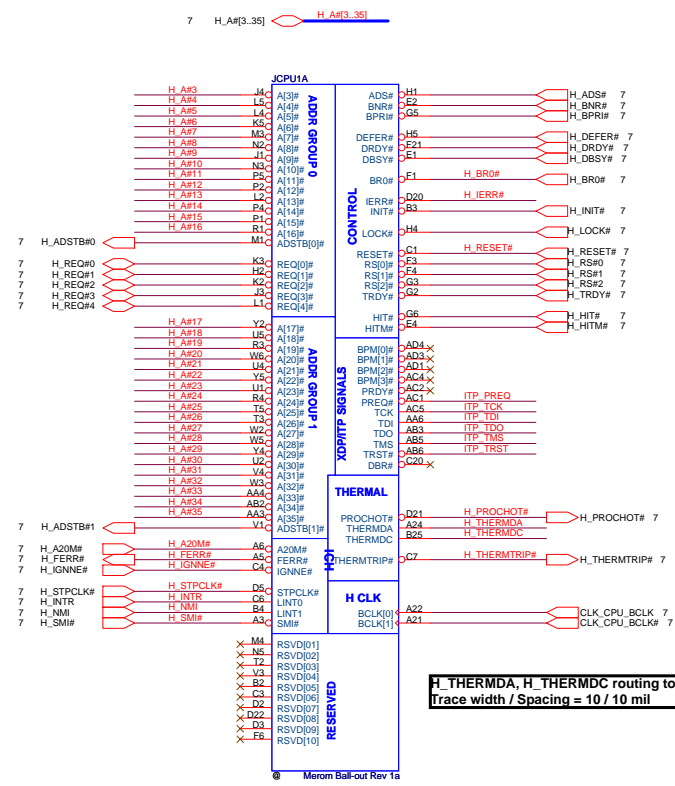
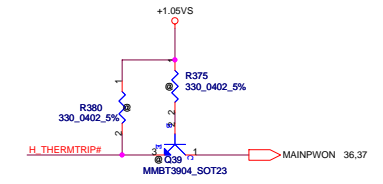
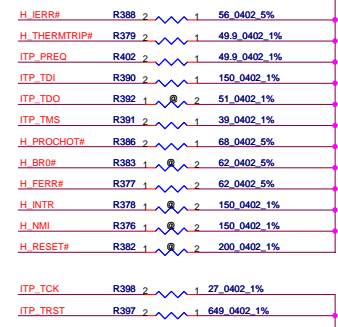
Device	Address
New card	1010 0000
Lan	
Minicard	
Minicard	

MCP79 SM Bus 1 address

Device	Address
DDR DIMM0	1010 0000
DDR DIMM1	1010 0010

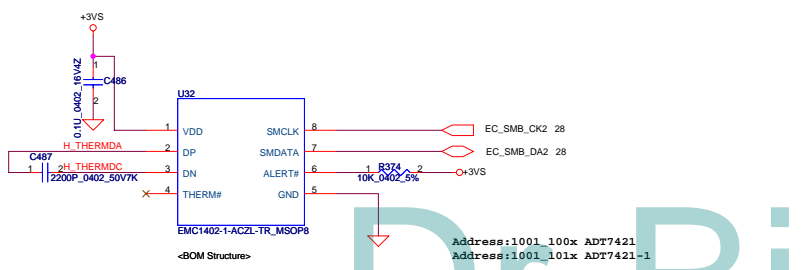
Security Classification	Compal Secret Data		Compal Electronics, Inc.	
Issued Date	2007/09/14	Deciphered Date	2007/12/25	Title
				SCHEMATIC MB A4681
THIS SHEET OF ENGINEERING DRAWING IS THE PROPRIETARY PROPERTY OF COMPAL ELECTRONICS, INC. AND CONTAINS CONFIDENTIAL AND TRADE SECRET INFORMATION. THIS SHEET MAY NOT BE TRANSFERRED FROM THE CUSTODY OF THE COMPETENT DIVISION OF R&D DEPARTMENT EXCEPT AS AUTHORIZED BY COMPAL ELECTRONICS, INC. NEITHER THIS SHEET NOR THE INFORMATION IT CONTAINS MAY BE USED BY OR DISCLOSED TO ANY THIRD PARTY WITHOUT PRIOR WRITTEN CONSENT OF COMPAL ELECTRONICS, INC.				Size B
				Document Number
				401627
				Rev D
				Date: Thursday, January 15, 2009
				Sheet 3 of 48

Place close to CPU within 500mil



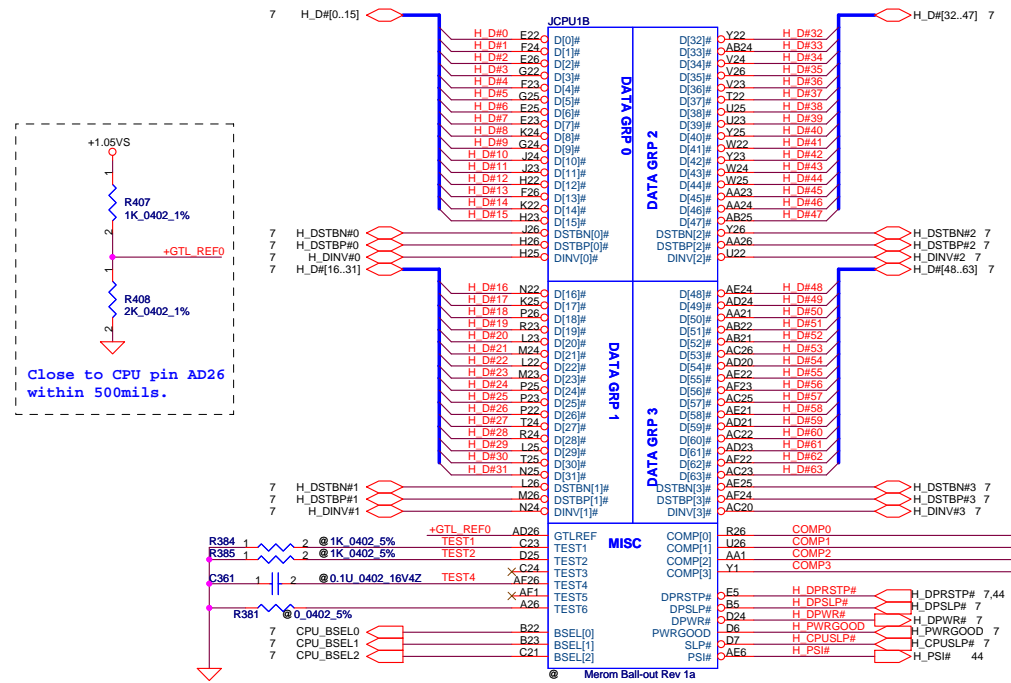
H_THERMDA, H_THERMDC routing together, Trace width / Spacing = 10 / 10 mil

Thermal Sensor SMSC EMC1402(Main)



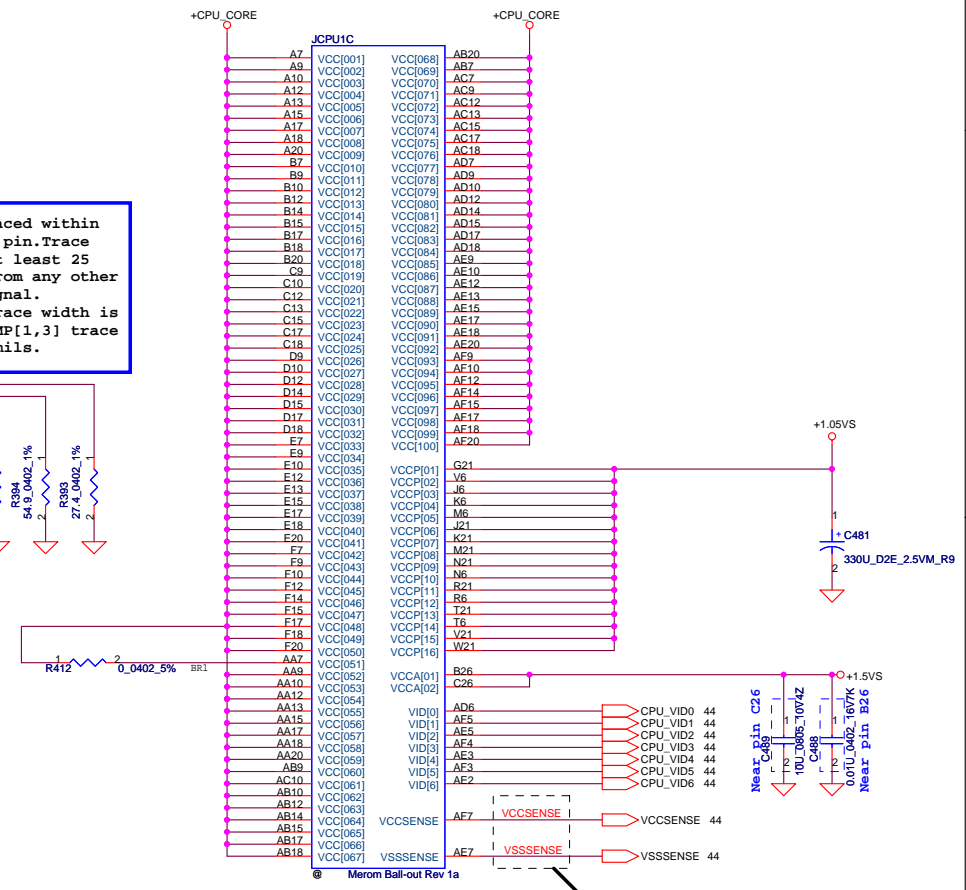
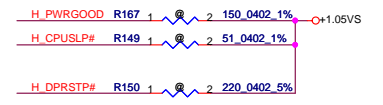
Address:1001_100x ADT7421
Address:1001_101x ADT7421-1

Security Classification	Compal Secret Data		Title	
Issued Date	2007/10/25	Deciphered Date	2008/10/25	SCHEMATIC MB A4681
THIS SHEET OF ENGINEERING DRAWING IS THE PROPRIETARY PROPERTY OF COMPAL ELECTRONICS, INC. AND CONTAINS CONFIDENTIAL AND TRADE SECRET INFORMATION. THIS SHEET MAY NOT BE TRANSFERRED FROM THE CUSTODY OF THE COMPETENT DIVISION OF R&D DEPARTMENT EXCEPT AS AUTHORIZED BY COMPAL ELECTRONICS, INC. NEITHER THIS SHEET NOR THE INFORMATION IT CONTAINS MAY BE USED BY OR DISCLOSED TO ANY THIRD PARTY WITHOUT PRIOR WRITTEN CONSENT OF COMPAL ELECTRONICS, INC.				
Size	Document Number	Rev	D	
	401627			
Date:	Thursday, January 15, 2009	Sheet	4	of 48

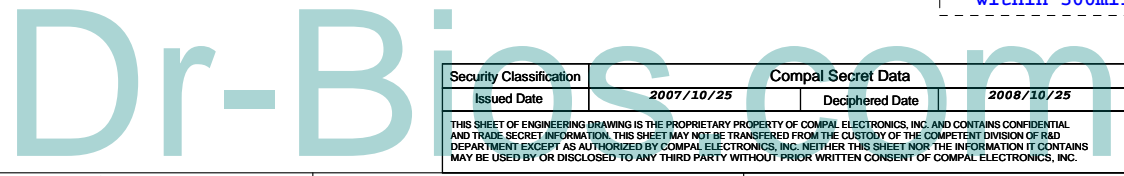
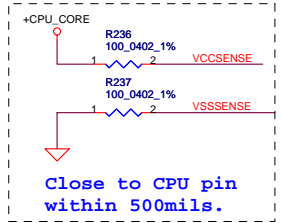


Resistor placed within 0.5" of CPU pin. Trace should be at least 25 mils away from any other toggling signal. COMP[0,2] trace width is 18 mils. COMP[1,3] trace width is 4 mils.

CPU_BSEL	CPU_BSEL2	CPU_BSEL1	CPU_BSEL0
166	0	1	1
200	0	1	0
266	0	0	0



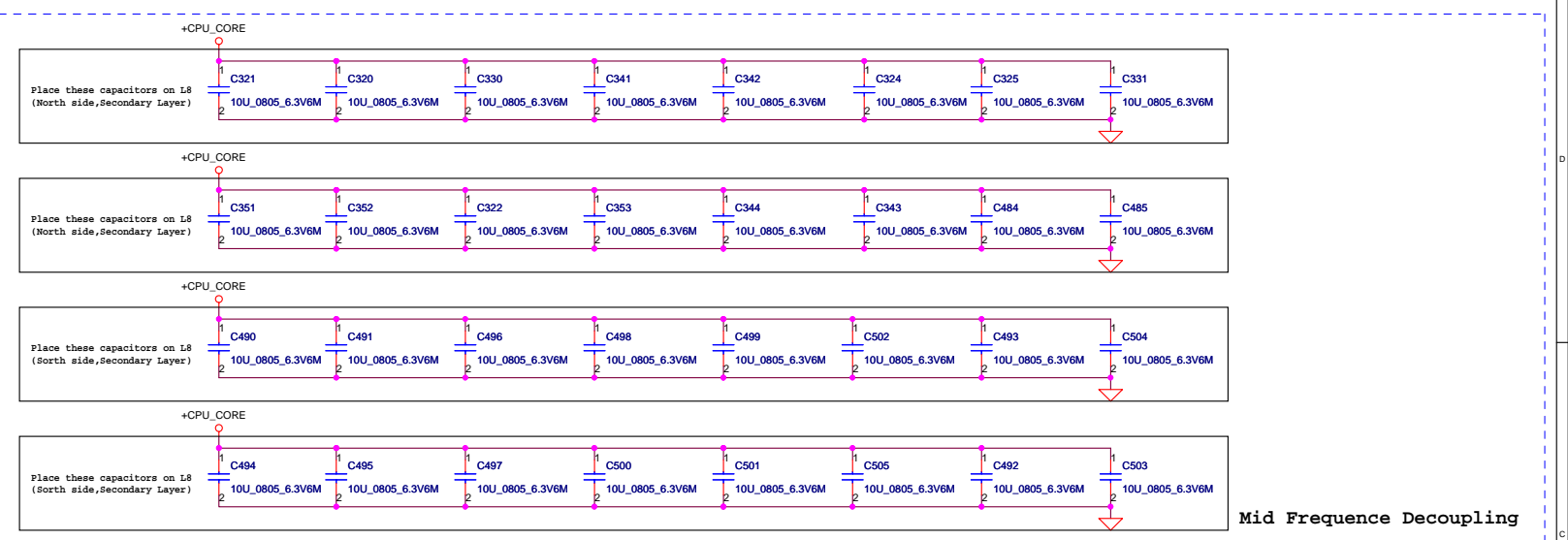
Length match within 25 mils. The trace width/space/other is 20/7/25.



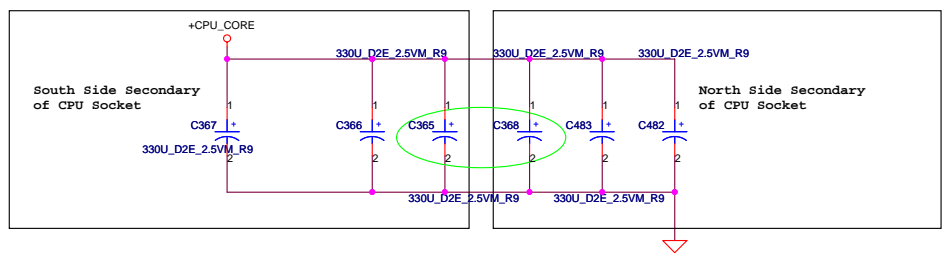
JCPU1D		
A4	VSS[001]	VSS[082]
A8	VSS[002]	VSS[083]
A11	VSS[003]	VSS[084]
A14	VSS[004]	VSS[085]
A16	VSS[005]	VSS[086]
A19	VSS[006]	VSS[087]
A23	VSS[007]	VSS[088]
AF2	VSS[008]	VSS[089]
B6	VSS[009]	VSS[090]
B8	VSS[010]	VSS[091]
B11	VSS[011]	VSS[092]
B13	VSS[012]	VSS[093]
B16	VSS[013]	VSS[094]
B19	VSS[014]	VSS[095]
B21	VSS[015]	VSS[096]
C5	VSS[016]	VSS[097]
C8	VSS[017]	VSS[098]
C11	VSS[018]	VSS[099]
C14	VSS[019]	VSS[100]
C16	VSS[020]	VSS[101]
C19	VSS[021]	VSS[102]
C2	VSS[022]	VSS[103]
C22	VSS[023]	VSS[104]
C25	VSS[024]	VSS[105]
D1	VSS[025]	VSS[106]
D4	VSS[026]	VSS[107]
D8	VSS[027]	VSS[108]
D11	VSS[028]	VSS[109]
D13	VSS[029]	VSS[110]
D23	VSS[030]	VSS[111]
D16	VSS[031]	VSS[112]
D19	VSS[032]	VSS[113]
D26	VSS[033]	VSS[114]
D2	VSS[034]	VSS[115]
E3	VSS[035]	VSS[116]
E6	VSS[036]	VSS[117]
E11	VSS[037]	VSS[118]
E14	VSS[038]	VSS[119]
E16	VSS[039]	VSS[120]
E19	VSS[040]	VSS[121]
E21	VSS[041]	VSS[122]
E24	VSS[042]	VSS[123]
F5	VSS[043]	VSS[124]
F8	VSS[044]	VSS[125]
F11	VSS[045]	VSS[126]
F13	VSS[046]	VSS[127]
F16	VSS[047]	VSS[128]
F19	VSS[048]	VSS[129]
F2	VSS[049]	VSS[130]
F22	VSS[050]	VSS[131]
F25	VSS[051]	VSS[132]
G4	VSS[052]	VSS[133]
G1	VSS[053]	VSS[134]
G23	VSS[054]	VSS[135]
G26	VSS[055]	VSS[136]
H3	VSS[056]	VSS[137]
H6	VSS[057]	VSS[138]
H21	VSS[058]	VSS[139]
H24	VSS[059]	VSS[140]
J2	VSS[060]	VSS[141]
J5	VSS[061]	VSS[142]
J22	VSS[062]	VSS[143]
J25	VSS[063]	VSS[144]
K1	VSS[064]	VSS[145]
K4	VSS[065]	VSS[146]
K23	VSS[066]	VSS[147]
K26	VSS[067]	VSS[148]
L3	VSS[068]	VSS[149]
L6	VSS[069]	VSS[150]
L21	VSS[070]	VSS[151]
L24	VSS[071]	VSS[152]
M2	VSS[072]	VSS[153]
M5	VSS[073]	VSS[154]
M22	VSS[074]	VSS[155]
M25	VSS[075]	VSS[156]
N1	VSS[076]	VSS[157]
N23	VSS[077]	VSS[158]
N4	VSS[078]	VSS[159]
N26	VSS[079]	VSS[160]
P3	VSS[080]	VSS[161]
P3	VSS[081]	VSS[162]
	VSS[163]	

Pin F8
Dual Core: GND (internal)
Quad Core: Floating (internal)

Pin D8,AA8,AC8 and AE8
Reserved for QC

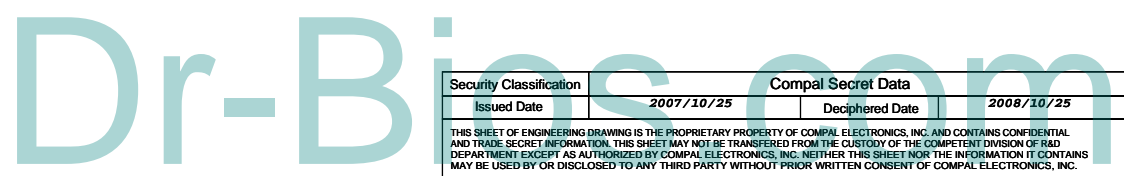
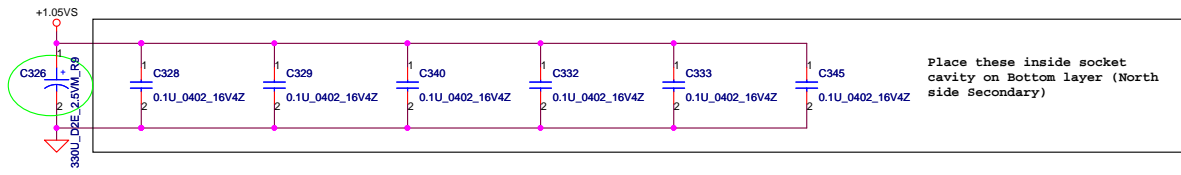


Mid Frequency Decoupling

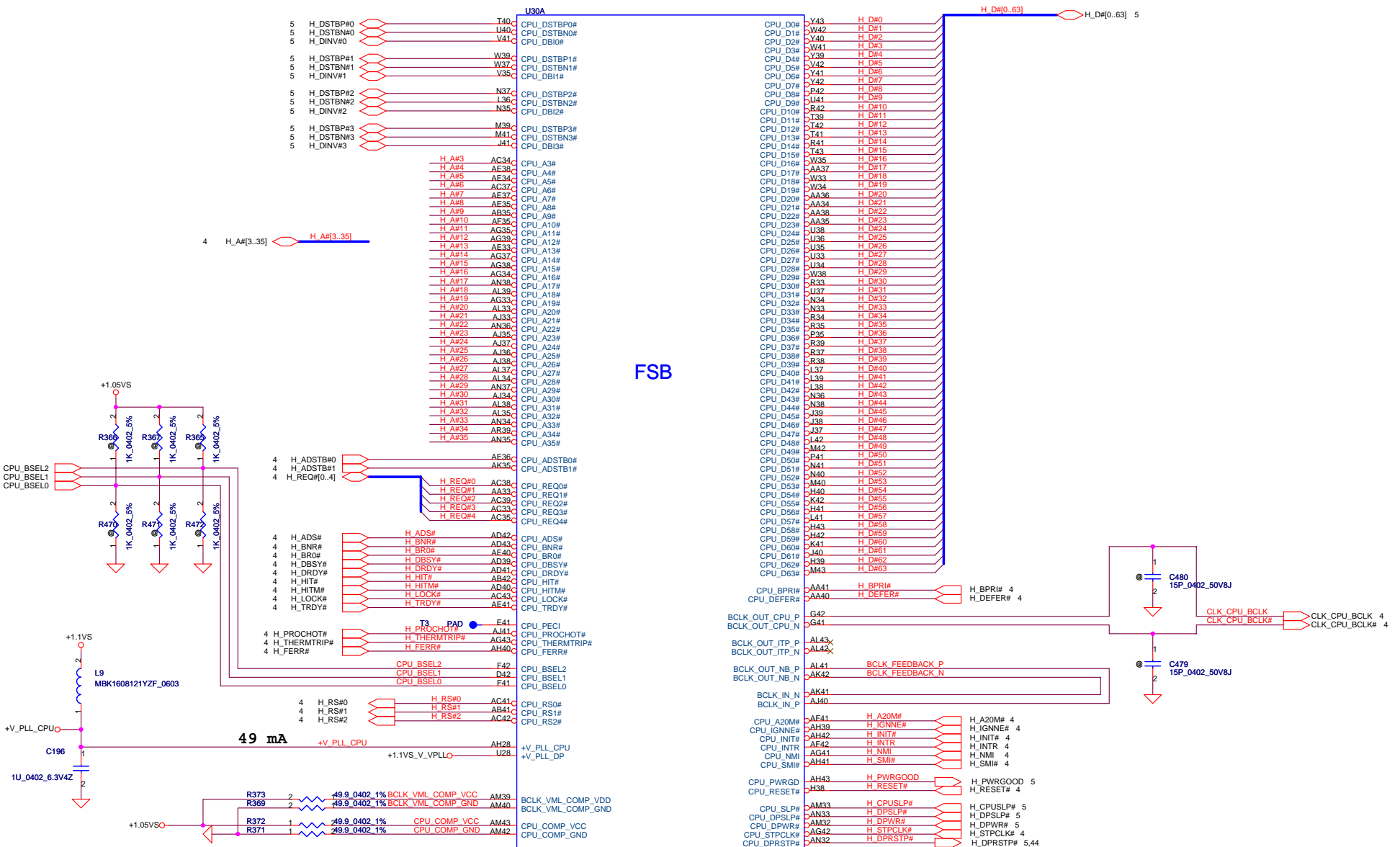


ESR <= 1.5m ohm
Capacitor > 1980uF

330uF ESR 7m ohm X 6 PCS

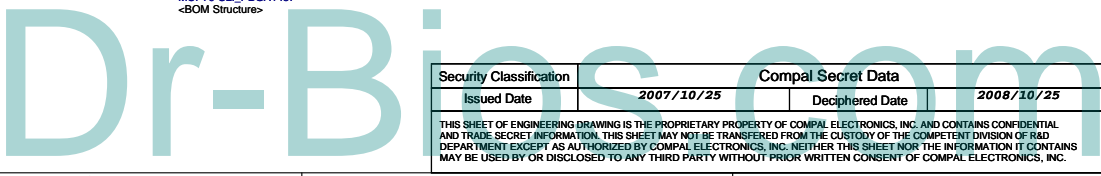


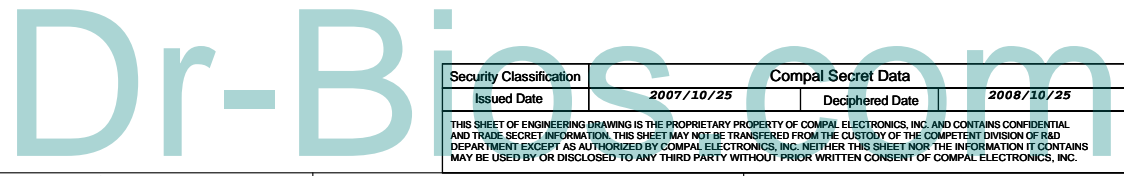
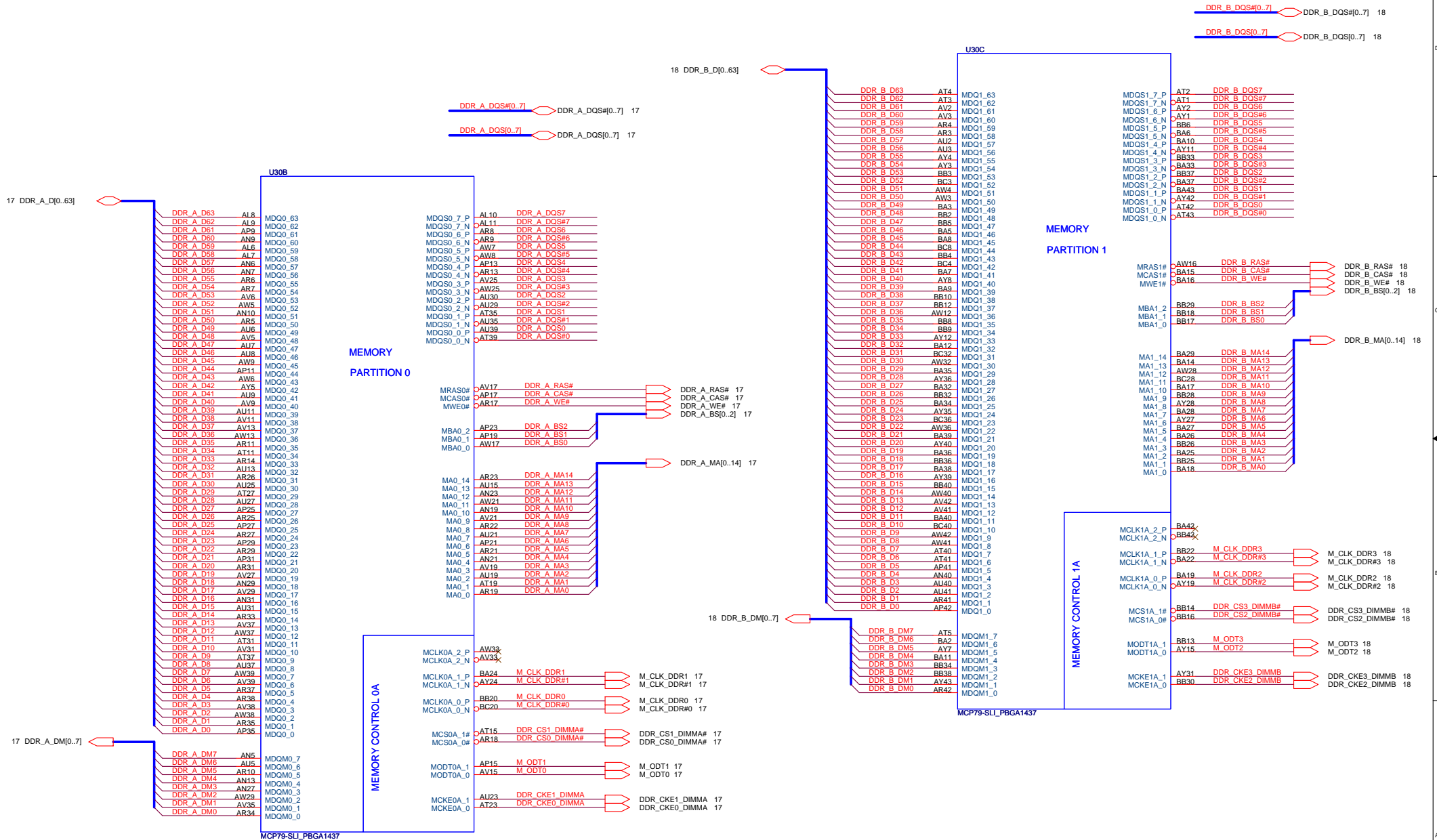
Security Classification		Compal Secret Data		Title	
Issued Date	2007/10/25	Deciphered Date	2008/10/25	Compal Electronics, Inc.	
THIS SHEET OF ENGINEERING DRAWING IS THE PROPRIETARY PROPERTY OF COMPAL ELECTRONICS, INC. AND CONTAINS CONFIDENTIAL AND TRADE SECRET INFORMATION. THIS SHEET MAY NOT BE TRANSFERRED FROM THE CUSTODY OF THE COMPETENT DIVISION OF R&D DEPARTMENT EXCEPT AS AUTHORIZED BY COMPAL ELECTRONICS, INC. NEITHER THIS SHEET NOR THE INFORMATION IT CONTAINS MAY BE USED BY OR DISCLOSED TO ANY THIRD PARTY WITHOUT PRIOR WRITTEN CONSENT OF COMPAL ELECTRONICS, INC.				SCHEMATIC MB A4681	
Size	Document Number	Rev		D	
	401627				
Date:	Thursday, January 15, 2009	Sheet	6	of 48	



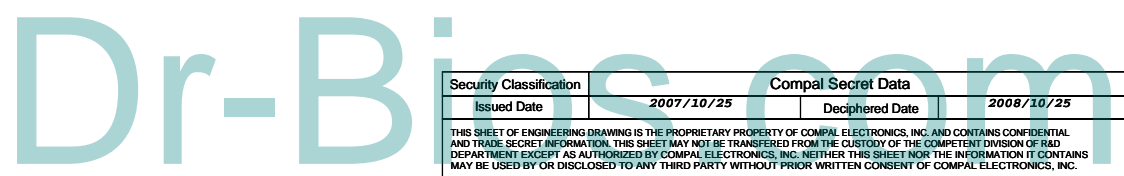
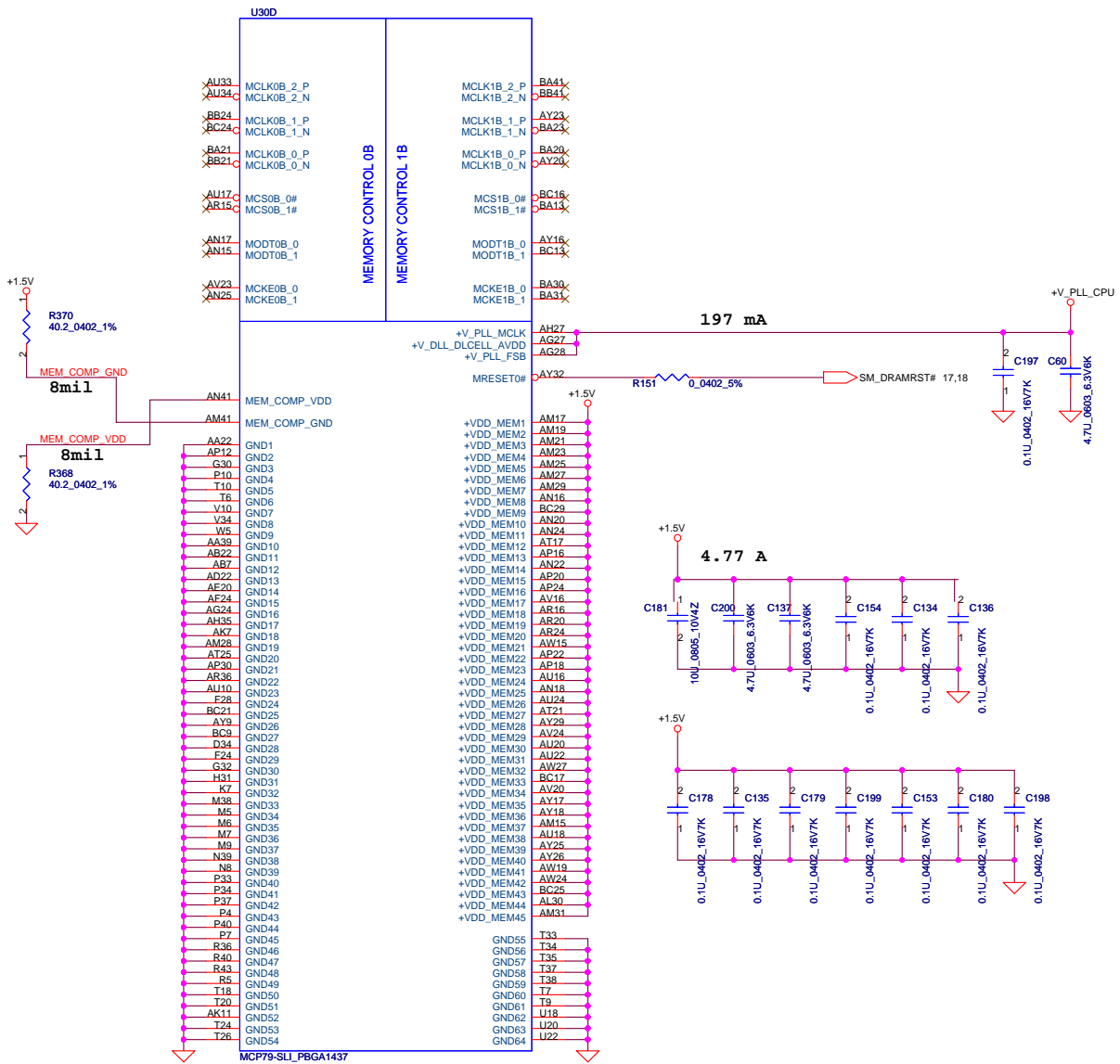
Security Classification	2007/10/25	Compal Secret Data	2008/10/25
Issued Date	2007/10/25	Deciphered Date	2008/10/25
THIS SHEET OF ENGINEERING DRAWING IS THE PROPRIETARY PROPERTY OF COMPAL ELECTRONICS, INC. AND CONTAINS CONFIDENTIAL AND TRADE SECRET INFORMATION. THIS SHEET MUST NOT BE TRANSFERRED FROM THE CUSTODY OF THE COMPETENT DIVISION OF R&D DEPARTMENT EXCEPT AS AUTHORIZED BY COMPAL ELECTRONICS, INC. NEITHER THIS SHEET NOR THE INFORMATION IT CONTAINS MAY BE USED BY OR DISCLOSED TO ANY THIRD PARTY WITHOUT PRIOR WRITTEN CONSENT OF COMPAL ELECTRONICS, INC.			

Compal Electronics, Inc.		
SCHEMATIC MB A4681		
Title	401627	Rev D
Date	Thursday, January 15, 2009	Sheet 7 of 48



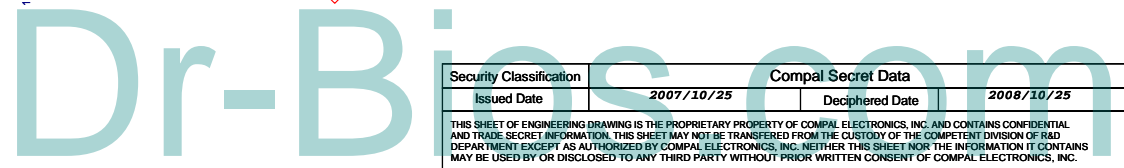
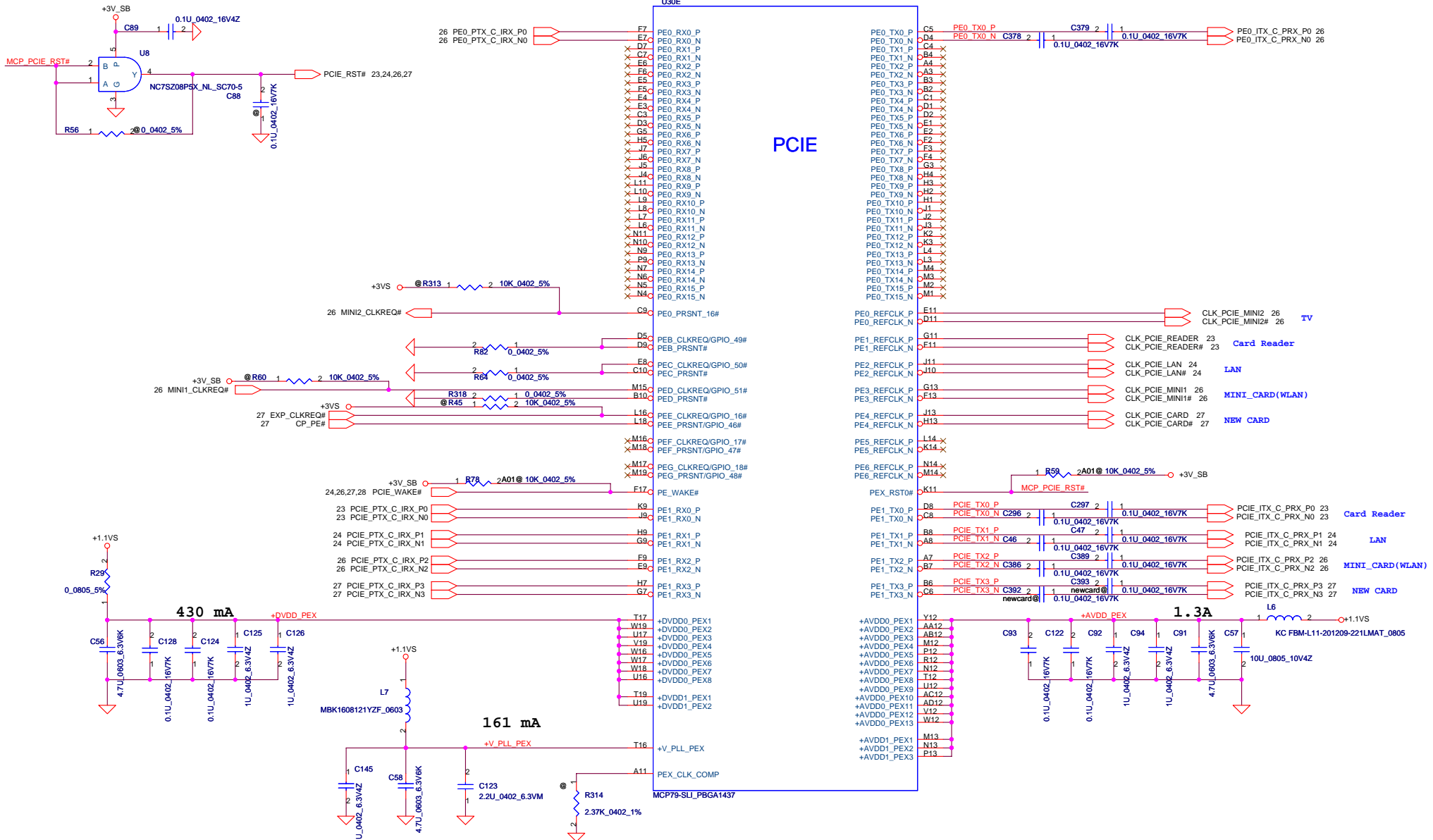


Security Classification		Compal Secret Data		Title	
Issued Date	2007/10/25	Deciphered Date	2008/10/25	Compal Electronics, Inc.	
THIS SHEET OF ENGINEERING DRAWING IS THE PROPRIETARY PROPERTY OF COMPAL ELECTRONICS, INC. AND CONTAINS CONFIDENTIAL AND TRADE SECRET INFORMATION. THIS SHEET MAY NOT BE TRANSFERRED FROM THE CUSTODY OF THE COMPETENT DIVISION OF R&D DEPARTMENT EXCEPT AS AUTHORIZED BY COMPAL ELECTRONICS, INC. NEITHER THIS SHEET NOR THE INFORMATION IT CONTAINS MAY BE USED BY OR DISCLOSED TO ANY THIRD PARTY WITHOUT PRIOR WRITTEN CONSENT OF COMPAL ELECTRONICS, INC.				SCHEMATIC MB A4681	
Size	Document Number	401627		Rev	D
Date:	Thursday, January 15, 2009	Sheet	8	of 48	

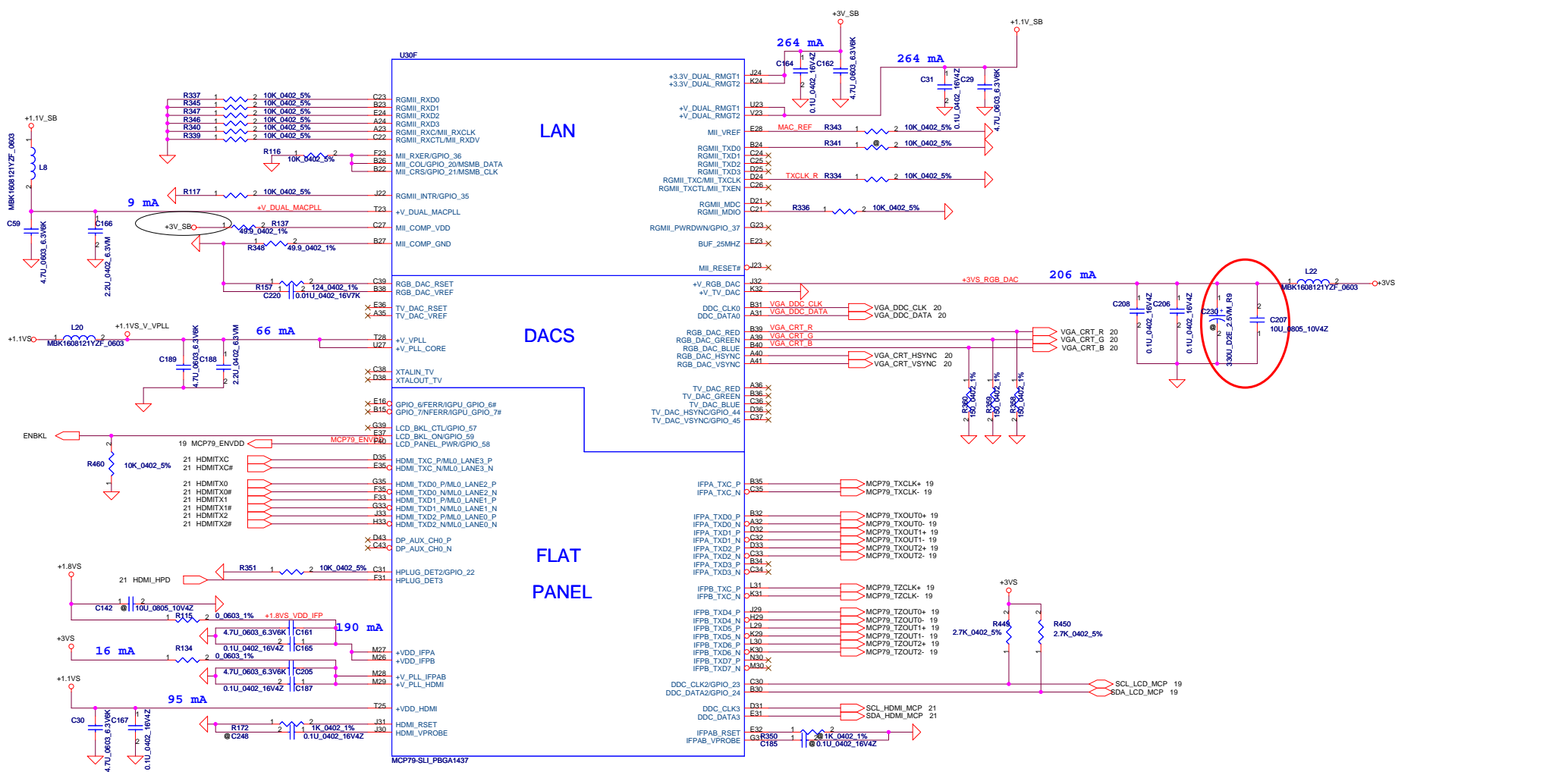


Security Classification	Compal Secret Data	
Issued Date	2007/10/25	Deciphered Date
		2008/10/25
THIS SHEET OF ENGINEERING DRAWING IS THE PROPRIETARY PROPERTY OF COMPAL ELECTRONICS, INC. AND CONTAINS CONFIDENTIAL AND TRADE SECRET INFORMATION. THIS SHEET MAY NOT BE TRANSFERRED FROM THE CUSTODY OF THE COMPETENT DIVISION OF R&D DEPARTMENT EXCEPT AS AUTHORIZED BY COMPAL ELECTRONICS, INC. NEITHER THIS SHEET NOR THE INFORMATION IT CONTAINS MAY BE USED BY OR DISCLOSED TO ANY THIRD PARTY WITHOUT PRIOR WRITTEN CONSENT OF COMPAL ELECTRONICS, INC.		

Title		
Compal Electronics, Inc.		
SCHEMATIC MB A4681		
Size	Document Number	Rev
	401627	D
Date:	Thursday, January 15, 2009	Sheet 9 of 48

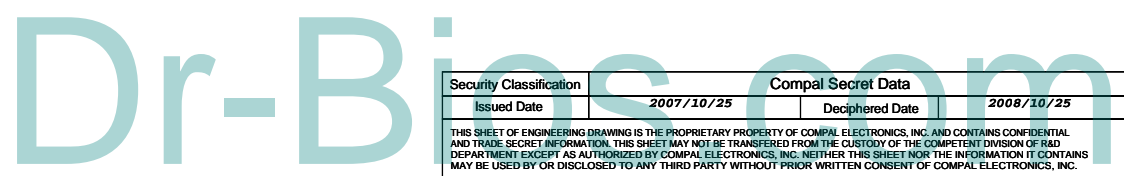
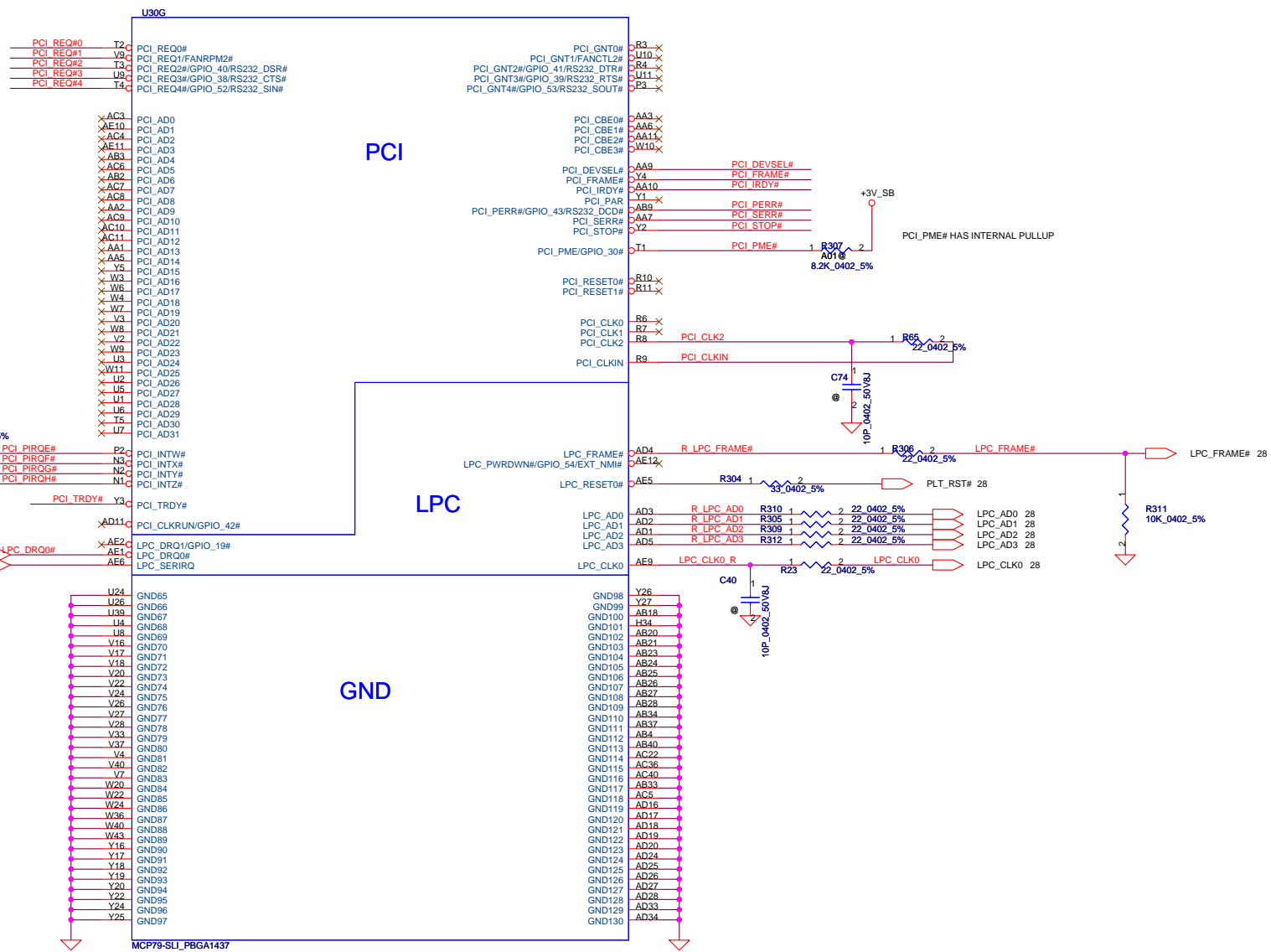
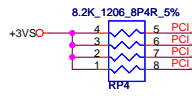
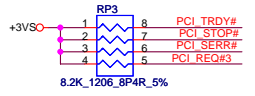
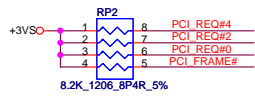


Security Classification	2007/10/25	Compal Secret Data	2008/10/25	Title		Compal Electronics, Inc.	
Issued Date	2007/10/25	Deciphered Date	2008/10/25	Size		SCHEMATIC MB A4681	
THIS SHEET OF ENGINEERING DRAWING IS THE PROPRIETARY PROPERTY OF COMPAL ELECTRONICS, INC. AND CONTAINS CONFIDENTIAL AND TRADE SECRET INFORMATION. THIS SHEET MAY NOT BE TRANSFERRED FROM THE CUSTODY OF THE COMPETENT DIVISION OF R&D DEPARTMENT EXCEPT AS AUTHORIZED BY COMPAL ELECTRONICS, INC. NEITHER THIS SHEET NOR THE INFORMATION IT CONTAINS MAY BE USED BY OR DISCLOSED TO ANY THIRD PARTY WITHOUT PRIOR WRITTEN CONSENT OF COMPAL ELECTRONICS, INC.				Date		Thursday, January 15, 2009	
				Sheet		10 of 48	

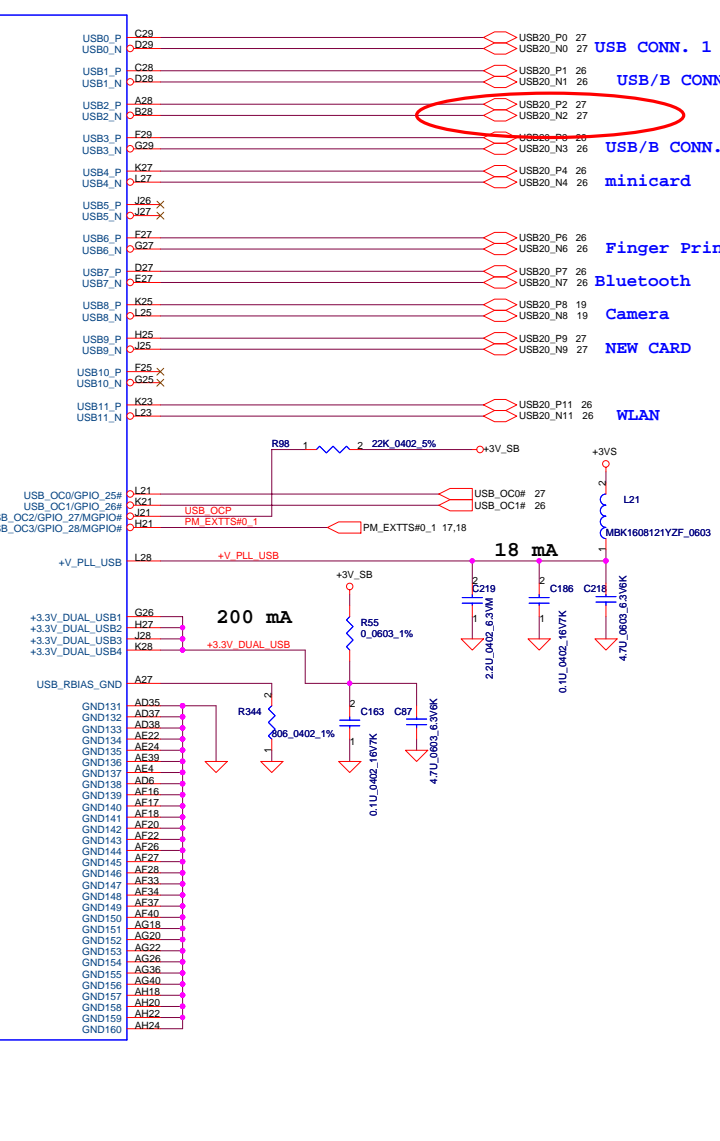
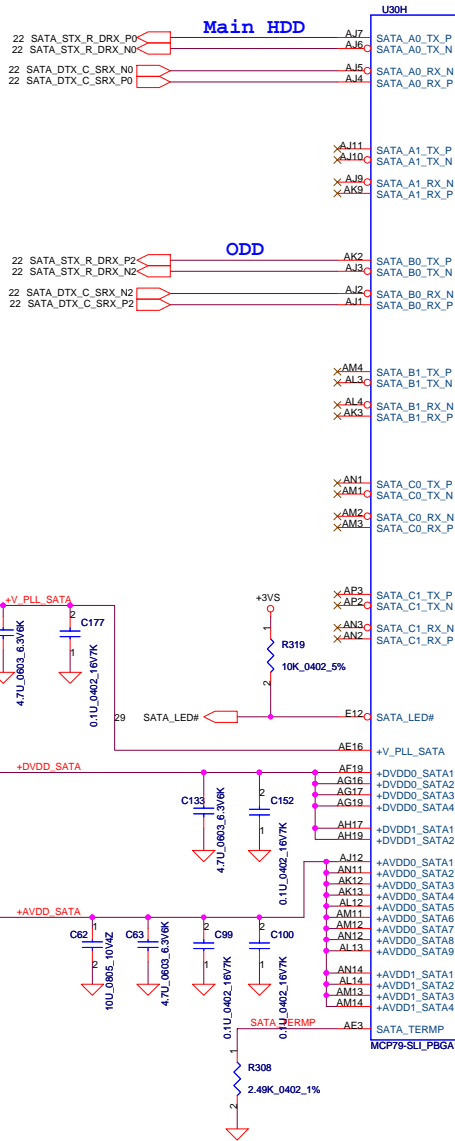


Dr-Bios.com

Security Classification		Compal Secret Data		Title	
Issued Date	2007/10/25	Deciphered Date	2008/10/25	Schematic MB A4681	
THIS SHEET OF ENGINEERING DRAWING IS THE PROPRIETARY PROPERTY OF COMPAL ELECTRONICS, INC. AND CONTAINS CONFIDENTIAL AND TRADE SECRET INFORMATION. THIS SHEET MAY NOT BE TRANSFERRED FROM THE CUSTODY OF THE COMPETENT DIVISION OF R&D DEPARTMENT EXCEPT AS AUTHORIZED BY COMPAL ELECTRONICS, INC. NEITHER THIS SHEET NOR THE INFORMATION IT CONTAINS MAY BE USED BY OR DISCLOSED TO ANY THIRD PARTY WITHOUT PRIOR WRITTEN CONSENT OF COMPAL ELECTRONICS, INC.					
Size	Document Number	Rev D		Date	Thursday, January 15, 2009
	401627			Sheet	11 of 48

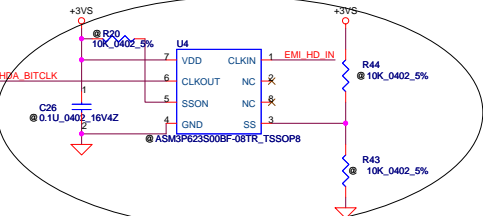


Security Classification	Compal Secret Data	Title	
Issued Date	2007/10/25	Compal Electronics, Inc.	
Deciphered Date	2008/10/25	SCHEMATIC MB A4681	
THIS SHEET OF ENGINEERING DRAWING IS THE PROPRIETARY PROPERTY OF COMPAL ELECTRONICS, INC. AND CONTAINS CONFIDENTIAL AND TRADE SECRET INFORMATION. THIS SHEET MAY NOT BE TRANSFERRED FROM THE CUSTODY OF THE COMPETENT DIVISION OF R&D DEPARTMENT EXCEPT AS AUTHORIZED BY COMPAL ELECTRONICS, INC. NEITHER THIS SHEET NOR THE INFORMATION IT CONTAINS MAY BE USED BY OR DISCLOSED TO ANY THIRD PARTY WITHOUT PRIOR WRITTEN CONSENT OF COMPAL ELECTRONICS, INC.		Size	Document Number
		401627	Rev D
Date:	Thursday, January 15, 2009	Sheet	12 of 48

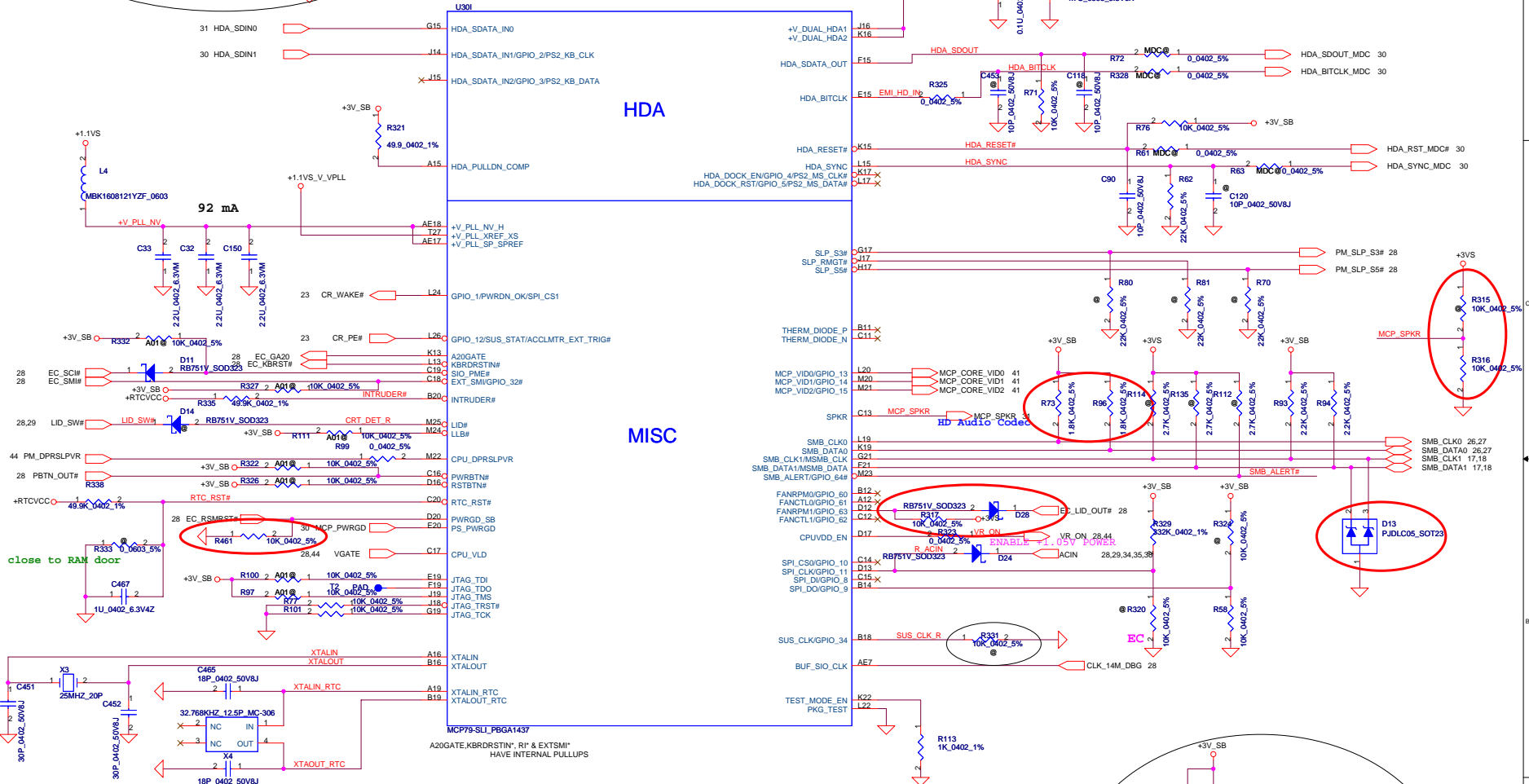
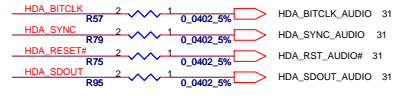


Security Classification	Compal Secret Data		Title Compal Electronics, Inc. SCHEMATIC MB A4681
Issued Date	2007/10/25	Deciphered Date	
THIS SHEET OF ENGINEERING DRAWING IS THE PROPRIETARY PROPERTY OF COMPAL ELECTRONICS, INC. AND CONTAINS CONFIDENTIAL AND TRADE SECRET INFORMATION. THIS SHEET MAY NOT BE TRANSFERRED FROM THE CUSTODY OF THE COMPETENT DIVISION OF R&D DEPARTMENT EXCEPT AS AUTHORIZED BY COMPAL ELECTRONICS, INC. NEITHER THIS SHEET NOR THE INFORMATION IT CONTAINS MAY BE USED BY OR DISCLOSED TO ANY THIRD PARTY WITHOUT PRIOR WRITTEN CONSENT OF COMPAL ELECTRONICS, INC.			Rev D
Date: Thursday, January 15, 2009			Sheet 13 of 48

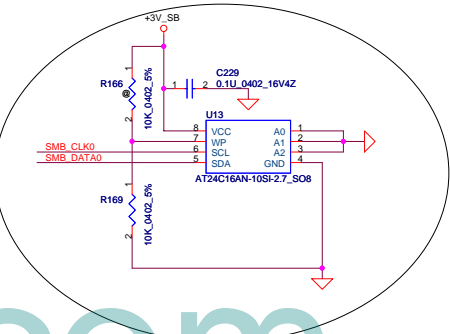
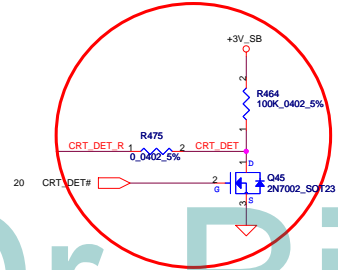
Dr-Bios.com



For Audio code use



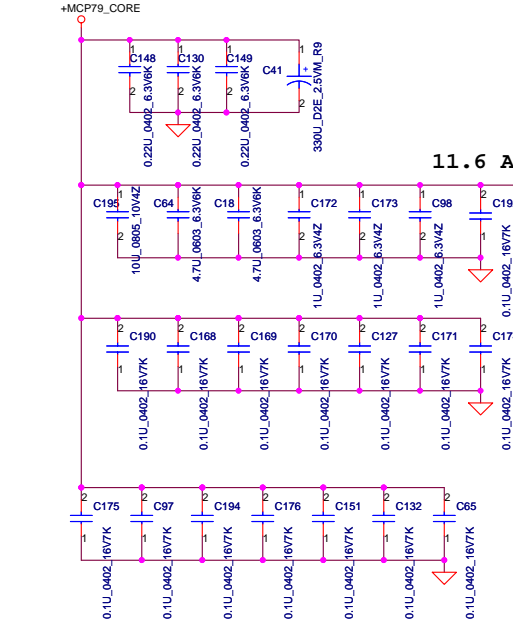
siganl	describe	
HDA_SDATA_OUT (MSB)	BIOS select from	00: LPC 01: PCI 10: SPI (SPI_CS0) 11: SPI (SPI_CS1)
LPC_FRAME# (LSB)		
HDA_SYNC	BUF_SIO_CLK select	0: 14.318MHz 1: 24MHz
SPKR	Boot mode select	0: User Mode Boot 1: Safe Mode Boot
GPIO_9/ SPI_DO (MSB)		00: 31 MHz 01: 42 MHz 10: 25 MHz 11: 1 MHz
GPIO_11/SPI_CLK (LSB)	SPI CLK frequency select	



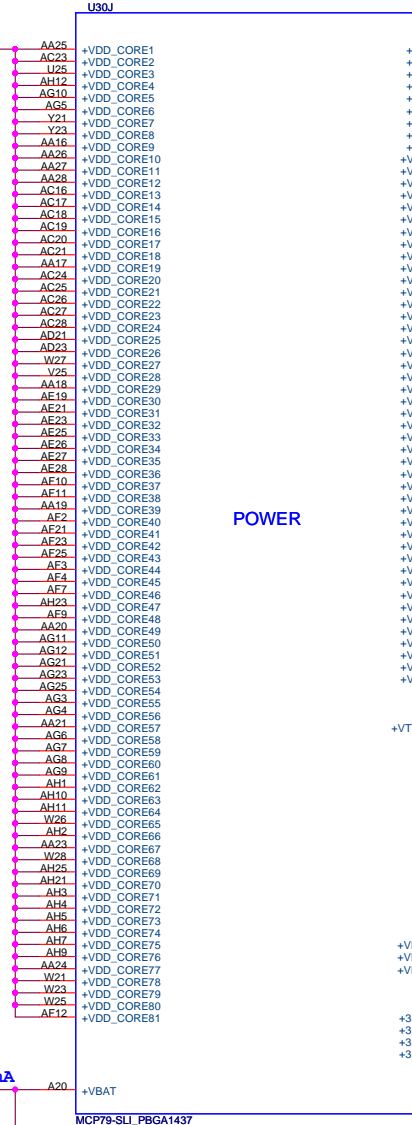
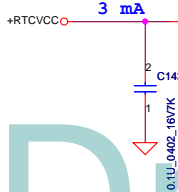
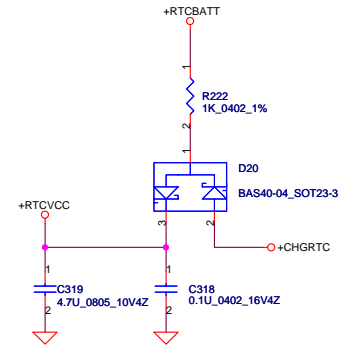
Security Classification	Compal Secret Data	
Issued Date	2007/10/25	Deciphered Date
THIS SHEET OF ENGINEERING DRAWING IS THE PROPRIETARY PROPERTY OF COMPAL ELECTRONICS, INC. AND CONTAINS CONFIDENTIAL AND TRADE SECRET INFORMATION. THIS SHEET MAY NOT BE TRANSFERRED FROM THE CUSTODY OF THE COMPETENT DIVISION OF R&D DEPARTMENT EXCEPT AS AUTHORIZED BY COMPAL ELECTRONICS, INC. NEITHER THIS SHEET NOR THE INFORMATION IT CONTAINS MAY BE USED BY OR DISCLOSED TO ANY THIRD PARTY WITHOUT PRIOR WRITTEN CONSENT OF COMPAL ELECTRONICS, INC.		

Compal Electronics, Inc.	
SCHEMATIC MB A4681	
Title	401627
Size	Document Number
Date	Thursday, January 15, 2009
Sheet	14 of 48

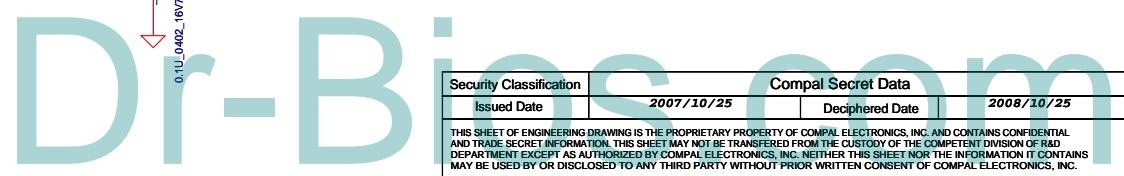
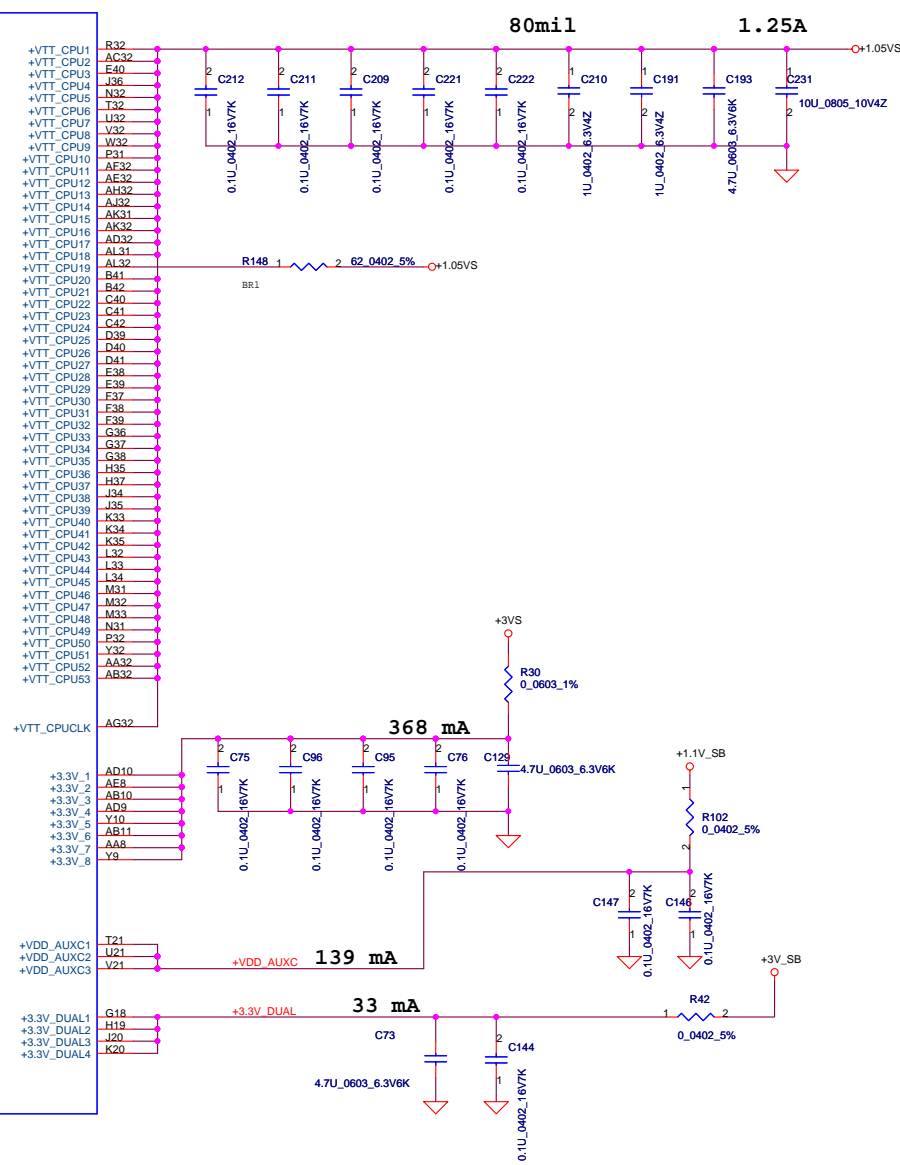
+0.88VS ~ +1.2VS



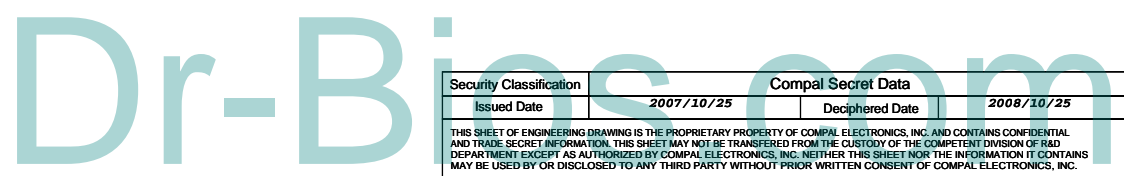
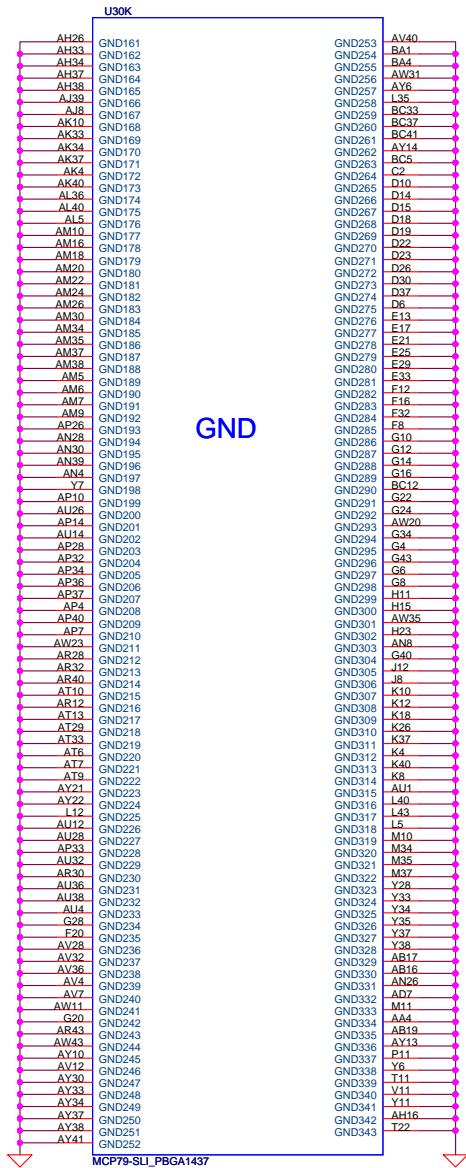
RTC Battery



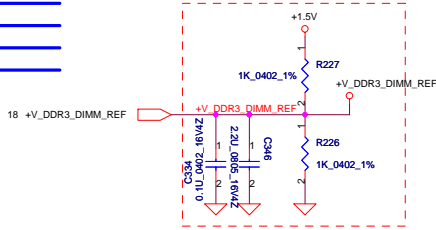
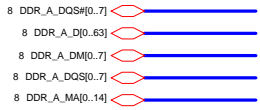
POWER



Security Classification	Compal Secret Data	Title	
Issued Date	2007/10/25	Compal Electronics, Inc.	
Deciphered Date	2008/10/25	SCHEMATIC MB A4681	
THIS SHEET OF ENGINEERING DRAWING IS THE PROPRIETARY PROPERTY OF COMPAL ELECTRONICS, INC. AND CONTAINS CONFIDENTIAL AND TRADE SECRET INFORMATION. THIS SHEET MAY NOT BE TRANSFERRED FROM THE CUSTODY OF THE COMPETENT DIVISION OF R&D DEPARTMENT EXCEPT AS AUTHORIZED BY COMPAL ELECTRONICS, INC. NEITHER THIS SHEET NOR THE INFORMATION IT CONTAINS MAY BE USED BY OR DISCLOSED TO ANY THIRD PARTY WITHOUT PRIOR WRITTEN CONSENT OF COMPAL ELECTRONICS, INC.		Size	Document Number
		401627	Rev D
Date:	Thursday, January 15, 2009	Sheet	15 of 48

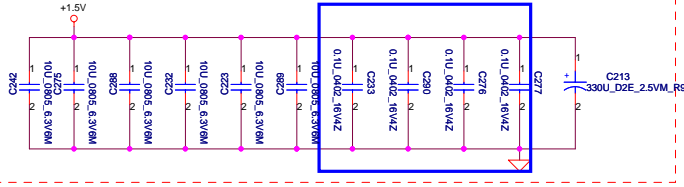


Security Classification		Compal Secret Data		Title	
Issued Date	2007/10/25	Deciphered Date	2008/10/25	Compal Electronics, Inc.	
THIS SHEET OF ENGINEERING DRAWING IS THE PROPRIETARY PROPERTY OF COMPAL ELECTRONICS, INC. AND CONTAINS CONFIDENTIAL AND TRADE SECRET INFORMATION. THIS SHEET MAY NOT BE TRANSFERRED FROM THE CUSTODY OF THE COMPETENT DIVISION OF R&D DEPARTMENT EXCEPT AS AUTHORIZED BY COMPAL ELECTRONICS, INC. NEITHER THIS SHEET NOR THE INFORMATION IT CONTAINS MAY BE USED BY OR DISCLOSED TO ANY THIRD PARTY WITHOUT PRIOR WRITTEN CONSENT OF COMPAL ELECTRONICS, INC.				SCHEMATIC MB A4681	
Size	Document Number	Rev		D	
401627					
Date:	Thursday, January 15, 2009	Sheet	16	of	48

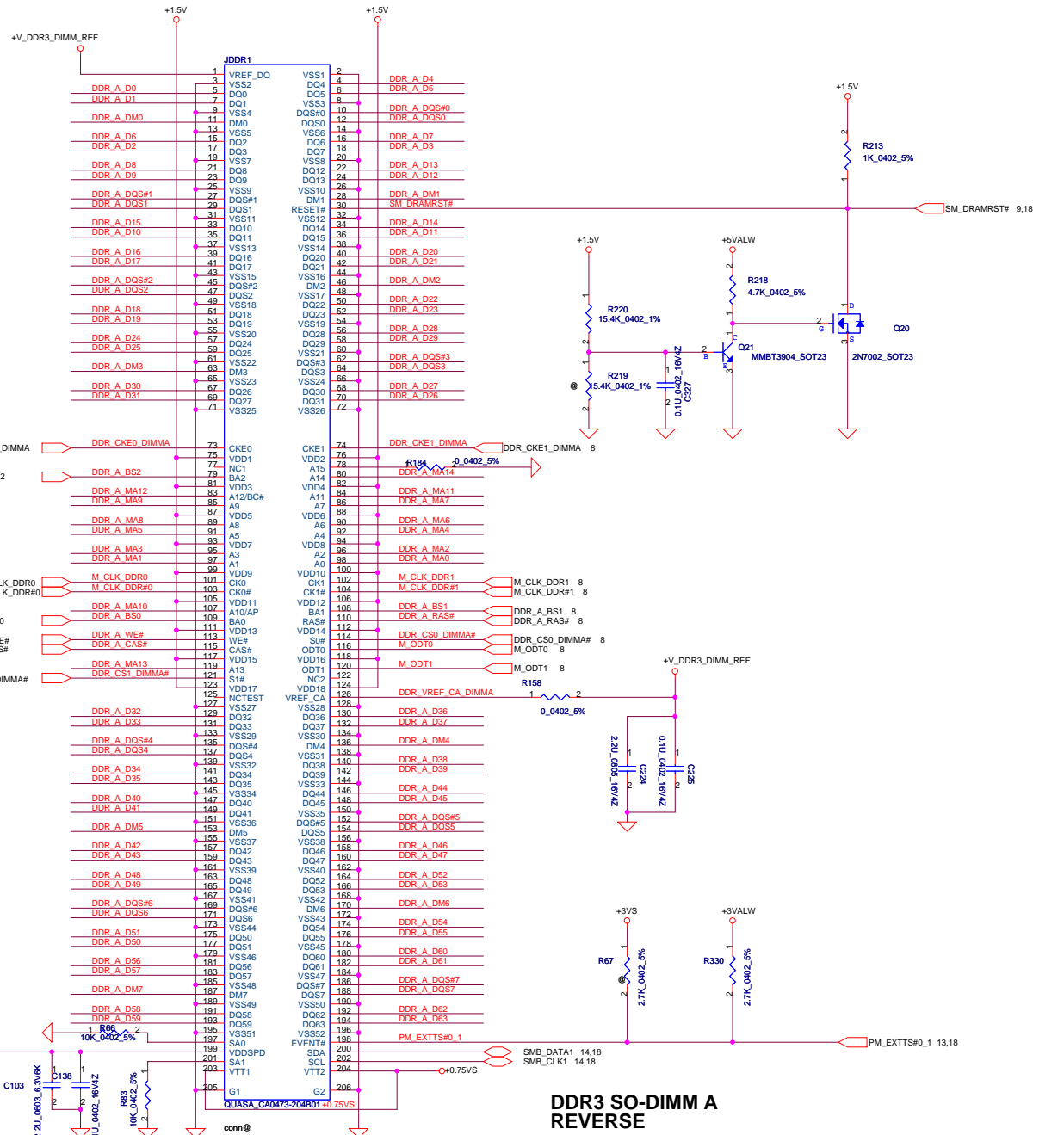
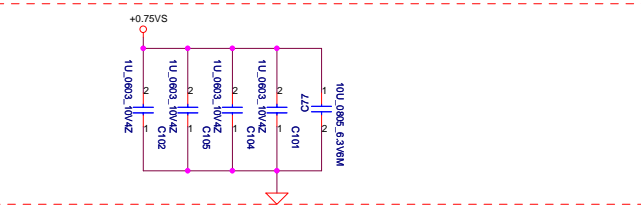


Layout Note:
Place near JDDR1

Layout Note: Place these 4 Caps near Command and Control signals of DIMM

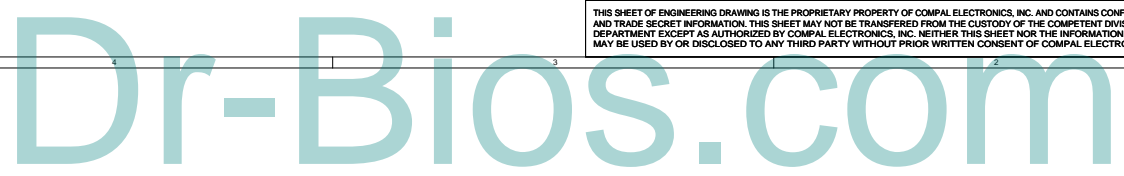


Layout Note:
Place near JDDR1 pin203/204



DDR3 SO-DIMM A REVERSE

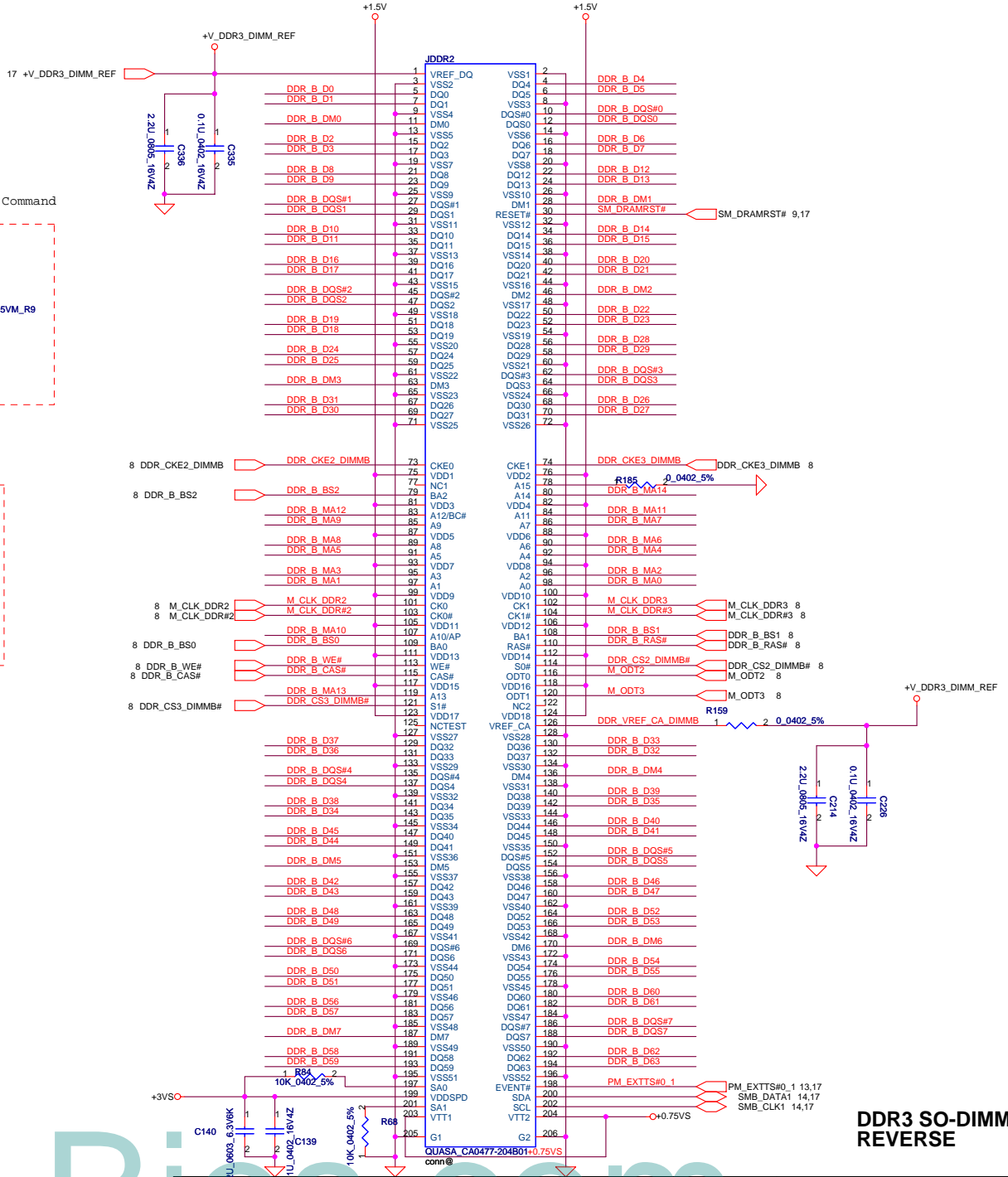
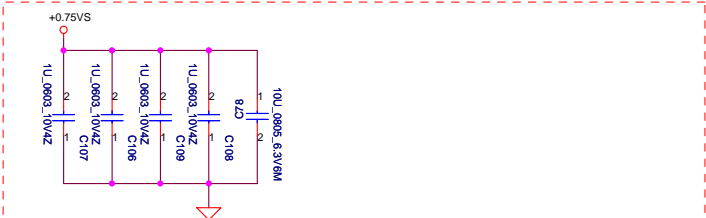
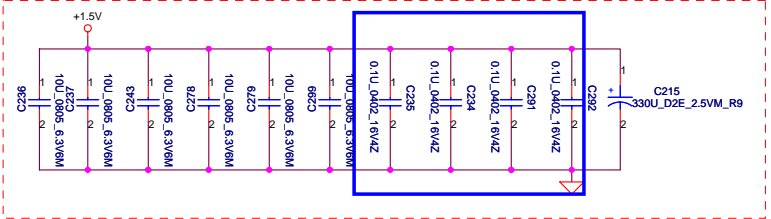
Security Classification		Compal Secret Data		Title	
Issued Date	2007/10/25	Deciphered Date	2008/10/25	Size	Document Number
THIS SHEET OF ENGINEERING DRAWING IS THE PROPRIETARY PROPERTY OF COMPAL ELECTRONICS, INC. AND CONTAINS CONFIDENTIAL AND TRADE SECRET INFORMATION. THIS SHEET MAY NOT BE TRANSFERRED FROM THE CUSTODY OF THE COMPAL DIVISION OF R&D DEPARTMENT EXCEPT AS AUTHORIZED BY COMPAL ELECTRONICS, INC. NEITHER THIS SHEET NOR THE INFORMATION IT CONTAINS MAY BE USED BY OR DISCLOSED TO ANY THIRD PARTY WITHOUT PRIOR WRITTEN CONSENT OF COMPAL ELECTRONICS, INC.				401627	Rev D
Date		Thursday, January 15, 2009	Sheet	17	of 48



- 8 DDR_B_DQS#0..7
- 8 DDR_B_D[0..63]
- 8 DDR_B_DM[0..7]
- 8 DDR_B_DQS[0..7]
- 8 DDR_B_MA[0..14]

Layout Note:
Place near JDDR2

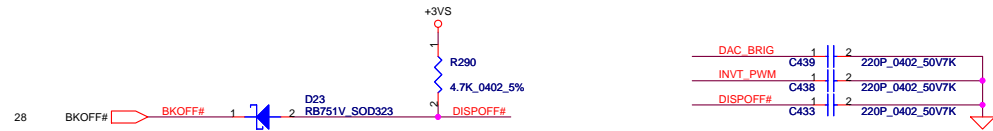
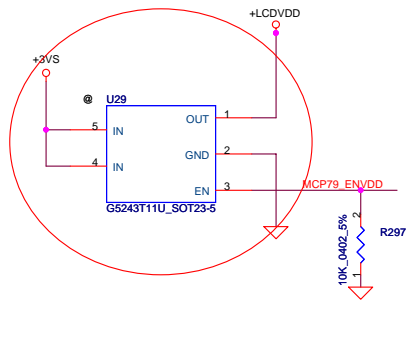
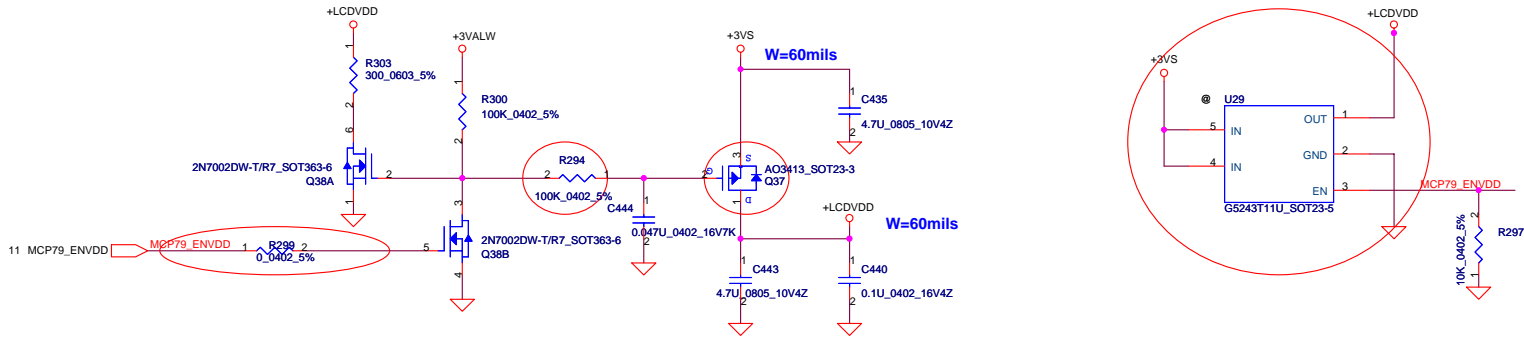
Layout Note: Place these 4 Caps near Command and Control signals of DIMM



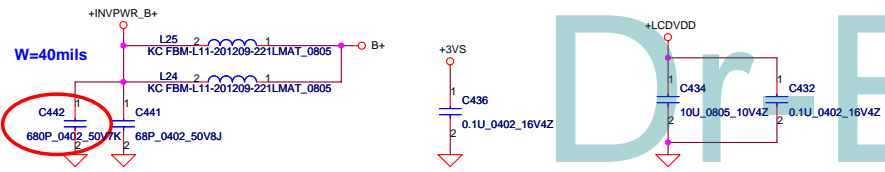
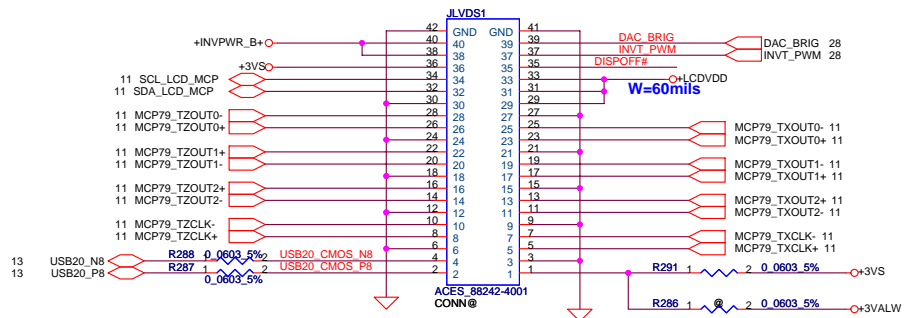
**DDR3 SO-DIMM B
REVERSE**

Security Classification		Compal Secret Data		Title	
Issued Date	2007/10/25	Deciphered Date	2008/10/25	Compal Electronics, Inc.	
THIS SHEET OF ENGINEERING DRAWING IS THE PROPRIETARY PROPERTY OF COMPAL ELECTRONICS, INC. AND CONTAINS CONFIDENTIAL AND TRADE SECRET INFORMATION. THIS SHEET MAY NOT BE TRANSFERRED FROM THE CUSTODY OF THE COMPETENT DIVISION OF R&D DEPARTMENT EXCEPT AS AUTHORIZED BY COMPAL ELECTRONICS, INC. NEITHER THIS SHEET NOR THE INFORMATION IT CONTAINS MAY BE USED BY OR DISCLOSED TO ANY THIRD PARTY WITHOUT PRIOR WRITTEN CONSENT OF COMPAL ELECTRONICS, INC.				SCHEMATIC MB A4681	
Size				Document Number	Rev
				401627	D
Date:				Thursday, January 15, 2009	Sheet 18 of 48

LCD POWER CIRCUIT

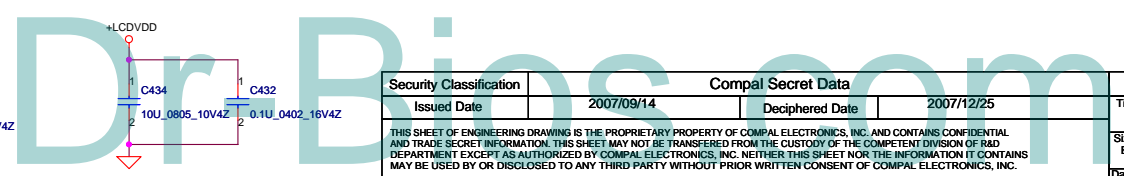


LCD/PANEL BD. Conn.

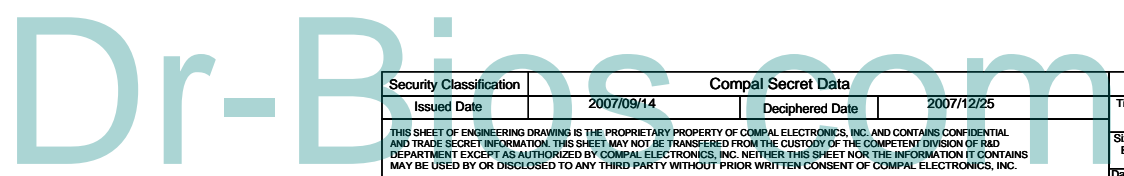
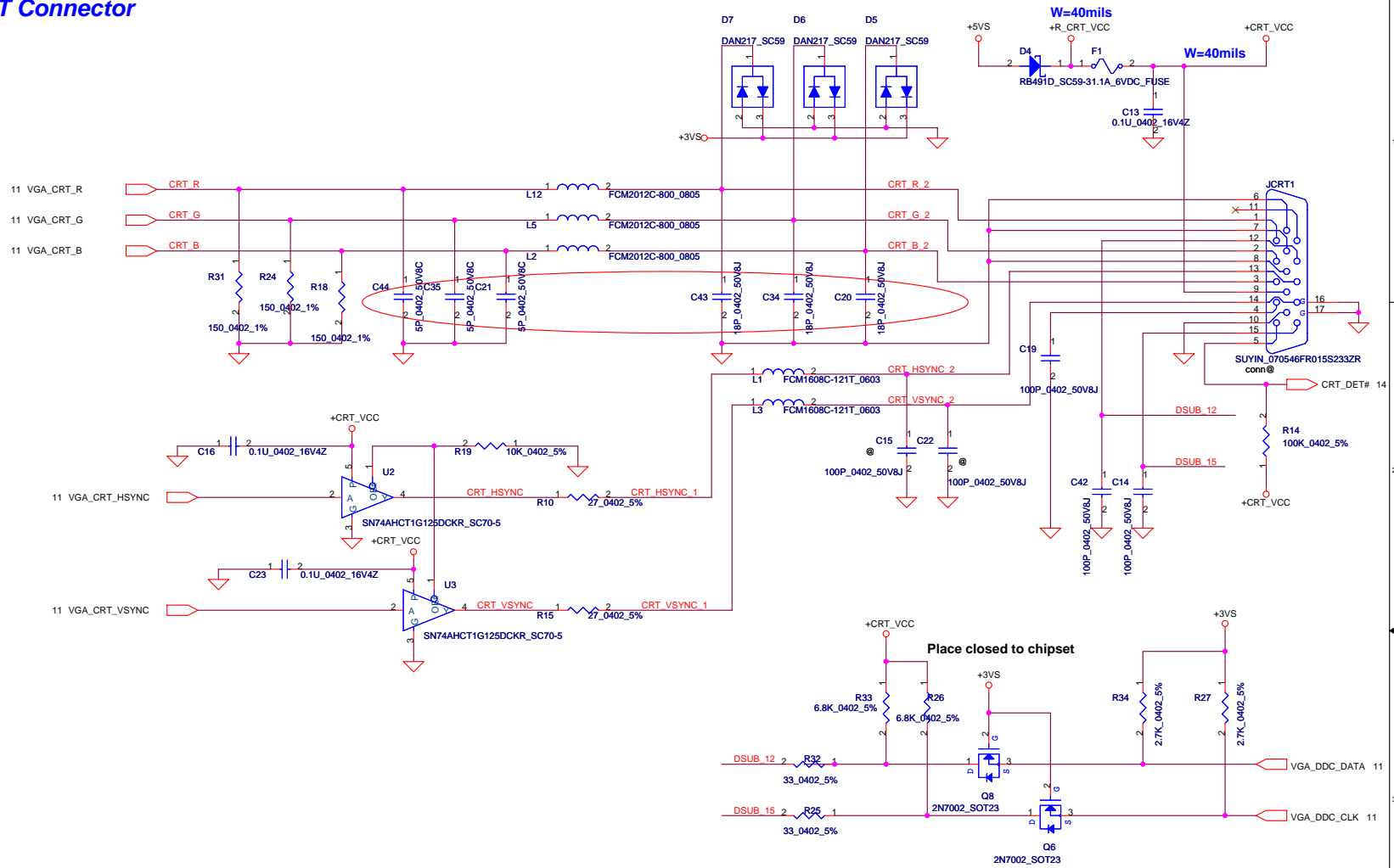


Security Classification	Compal Secret Data	
Issued Date	2007/09/14	Deciphered Date
		2007/12/25

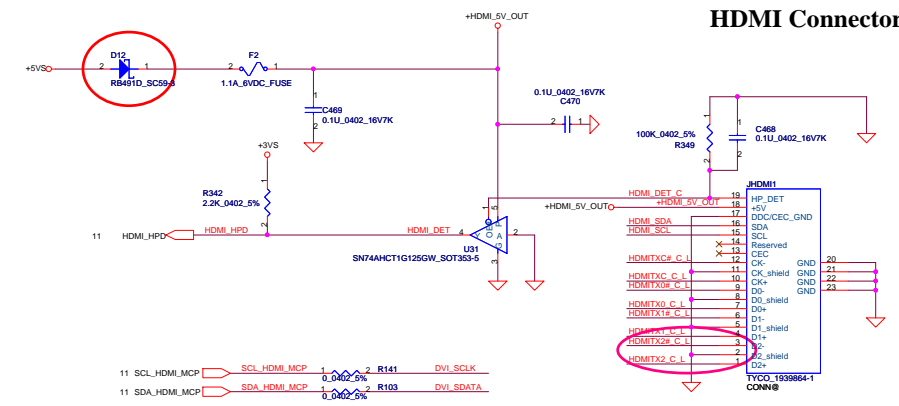
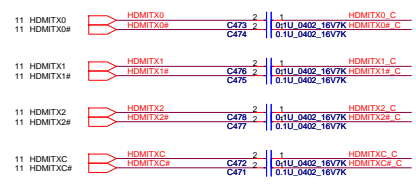
Title		Compal Electronics, Inc.	
		SCHEMATIC MB A4681	
Size B	Document Number	Rev D	
	401627		
Date:	Thursday, January 15, 2009	Sheet	19 of 48



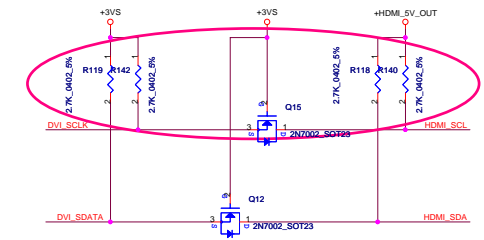
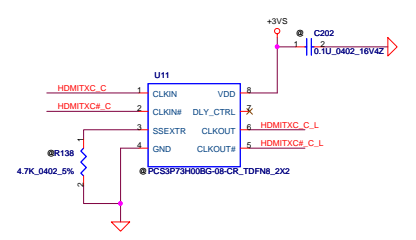
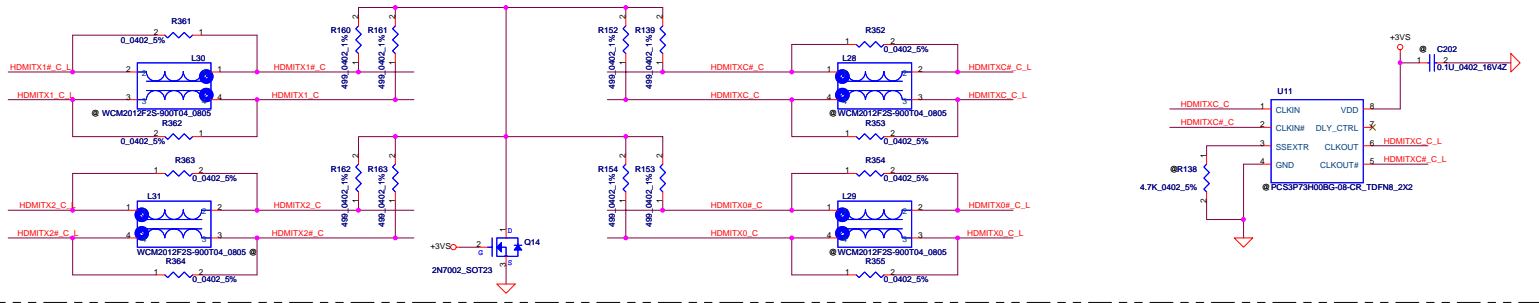
CRT Connector



Security Classification	Compal Secret Data			Title	Compal Electronics, Inc.	
Issued Date	2007/09/14	Deciphered Date	2007/12/25	Size	Document Number	Rev
THIS SHEET OF ENGINEERING DRAWING IS THE PROPRIETARY PROPERTY OF COMPAL ELECTRONICS, INC. AND CONTAINS CONFIDENTIAL AND TRADE SECRET INFORMATION. THIS SHEET MAY NOT BE TRANSFERRED FROM THE CUSTODY OF THE COMPETENT DIVISION OF R&D DEPARTMENT EXCEPT AS AUTHORIZED BY COMPAL ELECTRONICS, INC. NEITHER THIS SHEET NOR THE INFORMATION IT CONTAINS MAY BE USED BY OR DISCLOSED TO ANY THIRD PARTY WITHOUT PRIOR WRITTEN CONSENT OF COMPAL ELECTRONICS, INC.				B	401627	D
				Date:	Thursday, January 15, 2009	Sheet 20 of 48



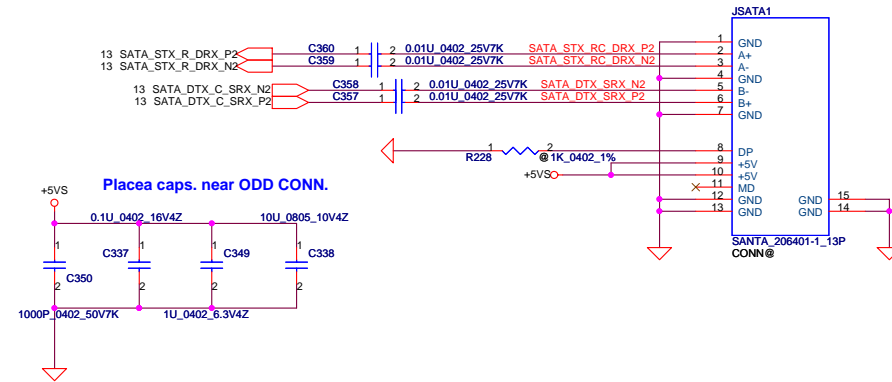
Close to JHDMI connector



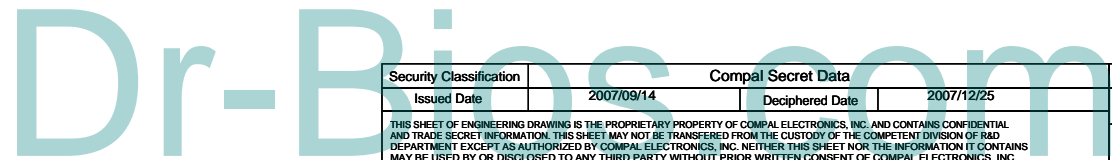
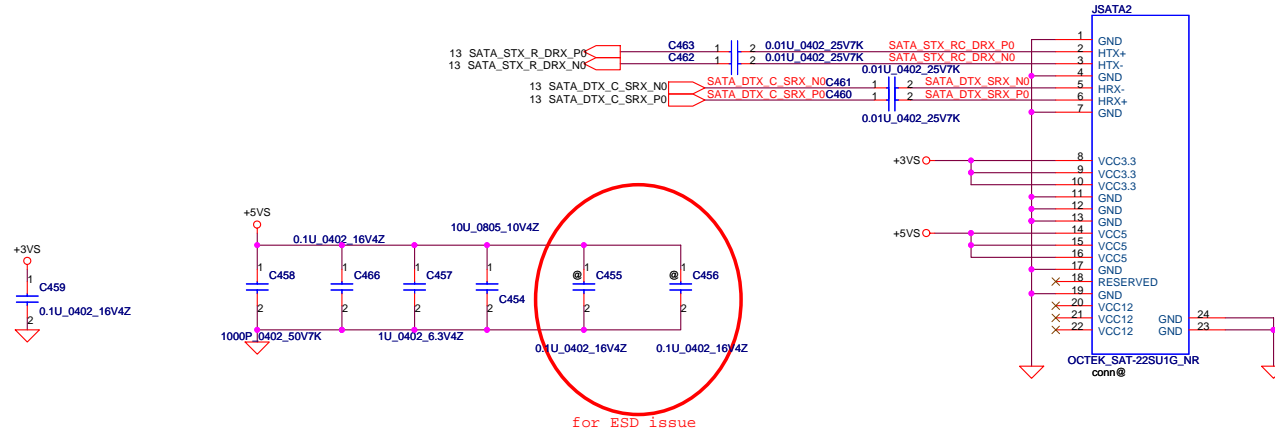
Dr-Bios.com

Security Classification	Compal Secret Data	Compal Electronics, Inc.	
Issued Date	2007/10/25	SCHEMATIC MB A4681	
Deciphered Date	2008/10/25	Size	401627
THIS SHEET OF ENGINEERING DRAWING IS THE PROPRIETARY PROPERTY OF COMPAL ELECTRONICS, INC. AND CONTAINS CONFIDENTIAL AND TRADE SECRET INFORMATION. THIS SHEET MAY NOT BE TRANSFERRED FROM THE CUSTODY OF THE COMPETENT DIVISION OF R&D DEPARTMENT EXCEPT AS AUTHORIZED BY COMPAL ELECTRONICS, INC. NEITHER THIS SHEET NOR THE INFORMATION IT CONTAINS MAY BE USED BY OR DISCLOSED TO ANY THIRD PARTY WITHOUT PRIOR WRITTEN CONSENT OF COMPAL ELECTRONICS, INC.		Customer	Rev D
		Date	Thursday, January 15, 2009
		ISheet	21 of 48

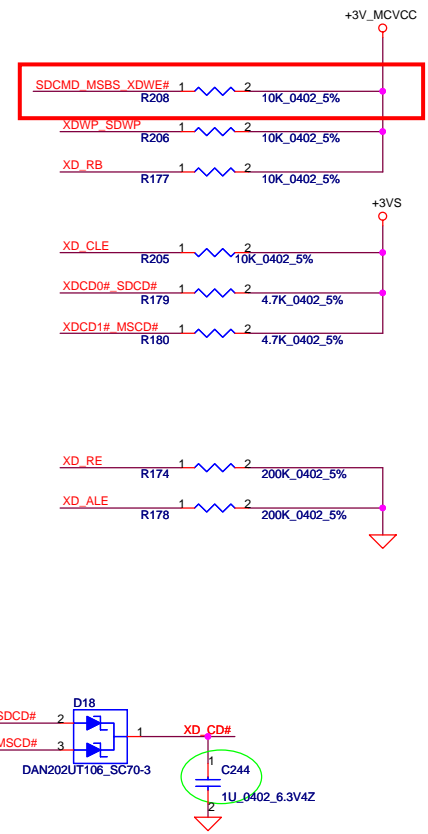
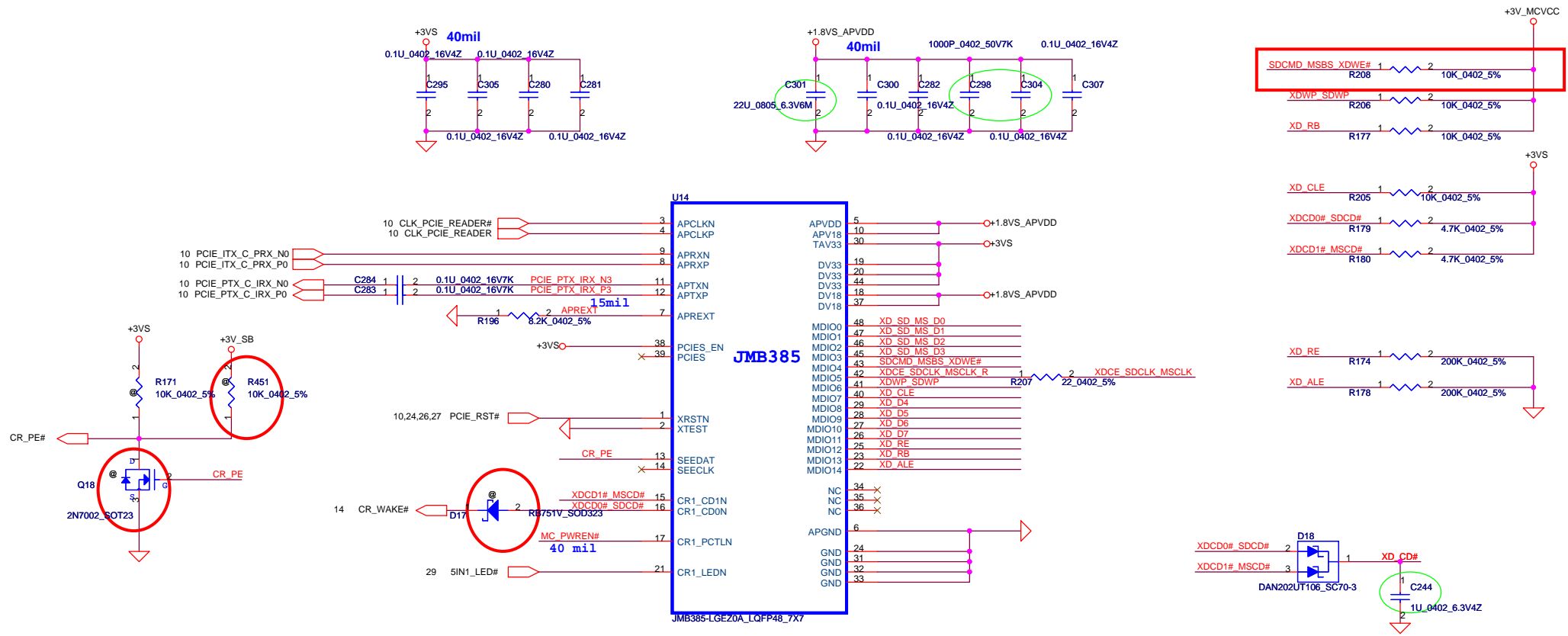
SATA ODD Conn.



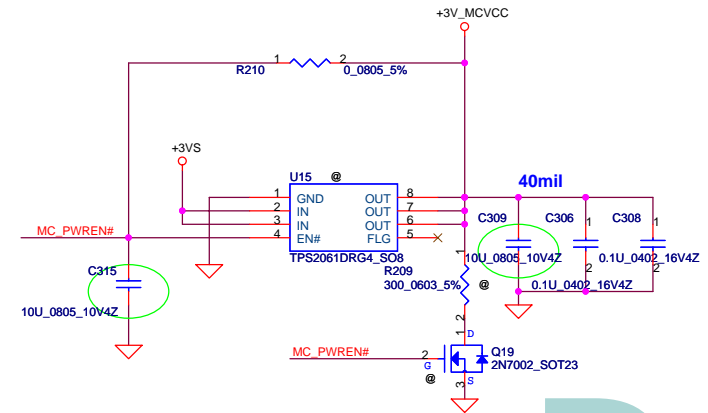
SATA HDD Conn.



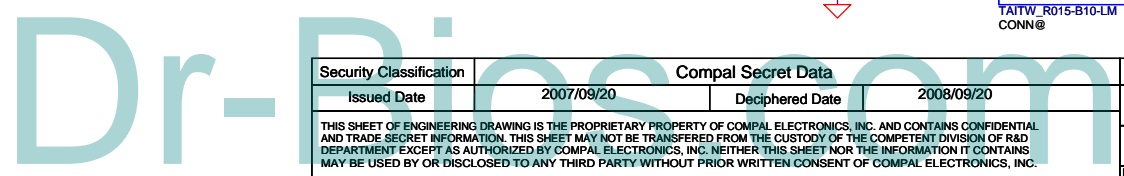
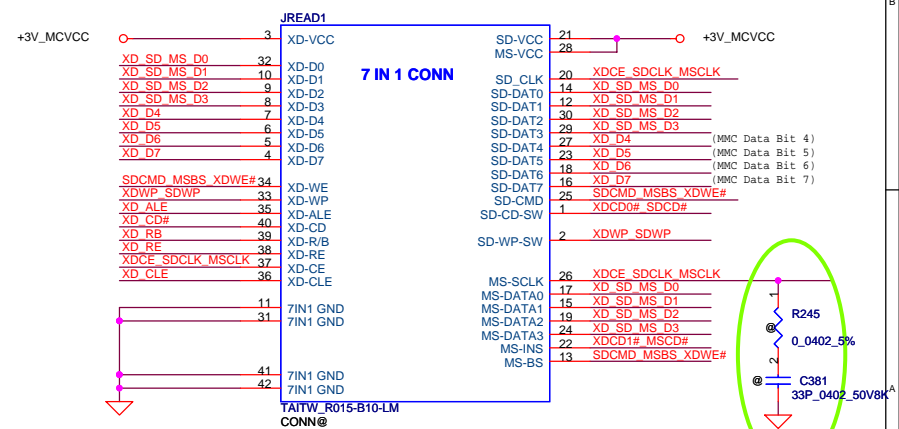
Security Classification		Compal Secret Data		Title	
Issued Date	2007/09/14	Deciphered Date	2007/12/25	SCHEMATIC MB A4681	
THIS SHEET OF ENGINEERING DRAWING IS THE PROPRIETARY PROPERTY OF COMPAL ELECTRONICS, INC. AND CONTAINS CONFIDENTIAL AND TRADE SECRET INFORMATION. THIS SHEET MAY NOT BE TRANSFERRED FROM THE CUSTODY OF THE COMPETENT DIVISION OF R&D DEPARTMENT EXCEPT AS AUTHORIZED BY COMPAL ELECTRONICS, INC. NEITHER THIS SHEET NOR THE INFORMATION IT CONTAINS MAY BE USED BY OR DISCLOSED TO ANY THIRD PARTY WITHOUT PRIOR WRITTEN CONSENT OF COMPAL ELECTRONICS, INC.				Size B	Document Number 401627
				Date: Thursday, January 15, 2009	Sheet 22 of 48



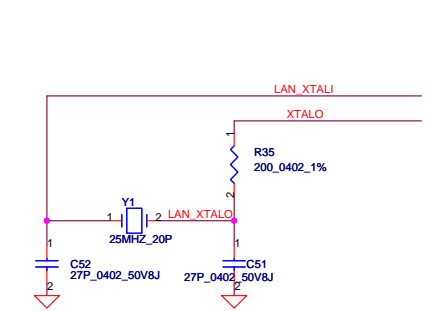
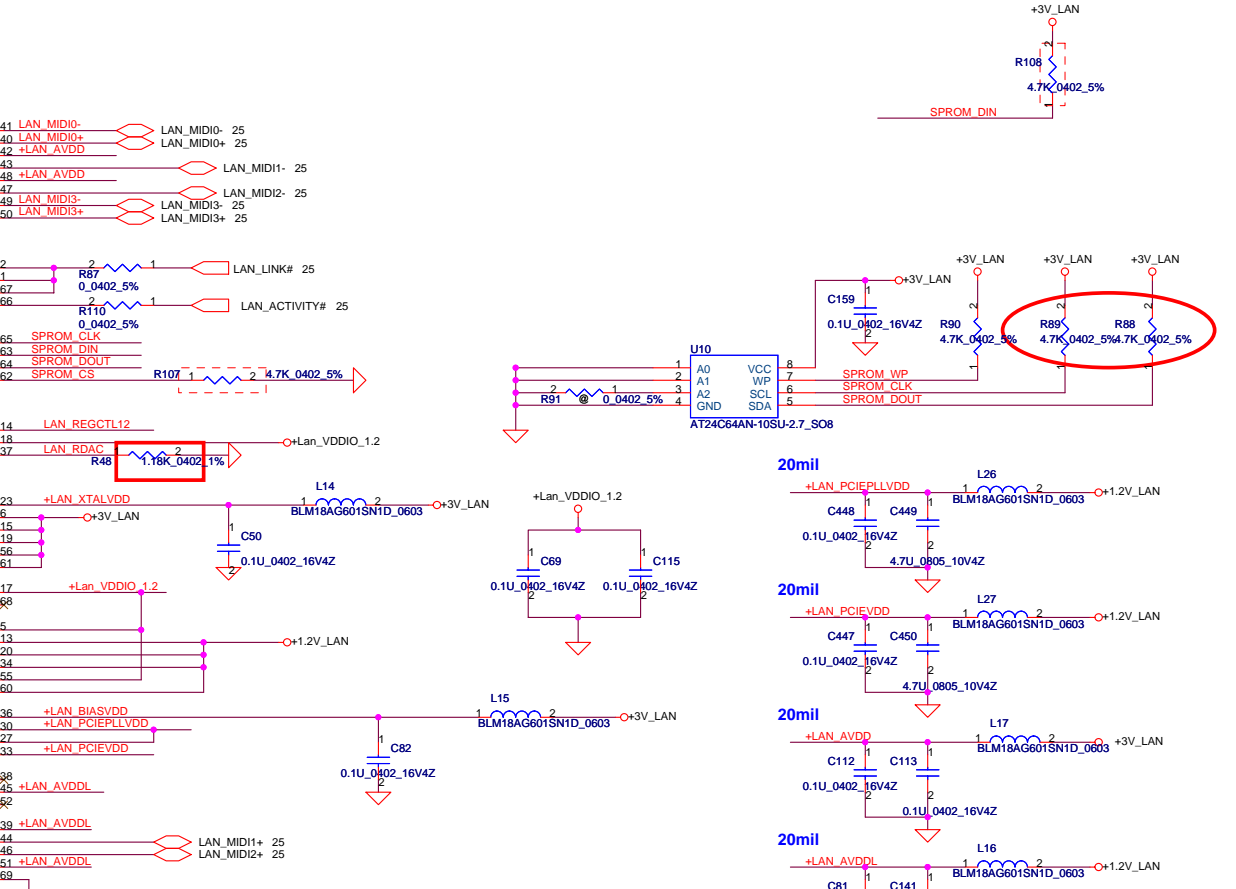
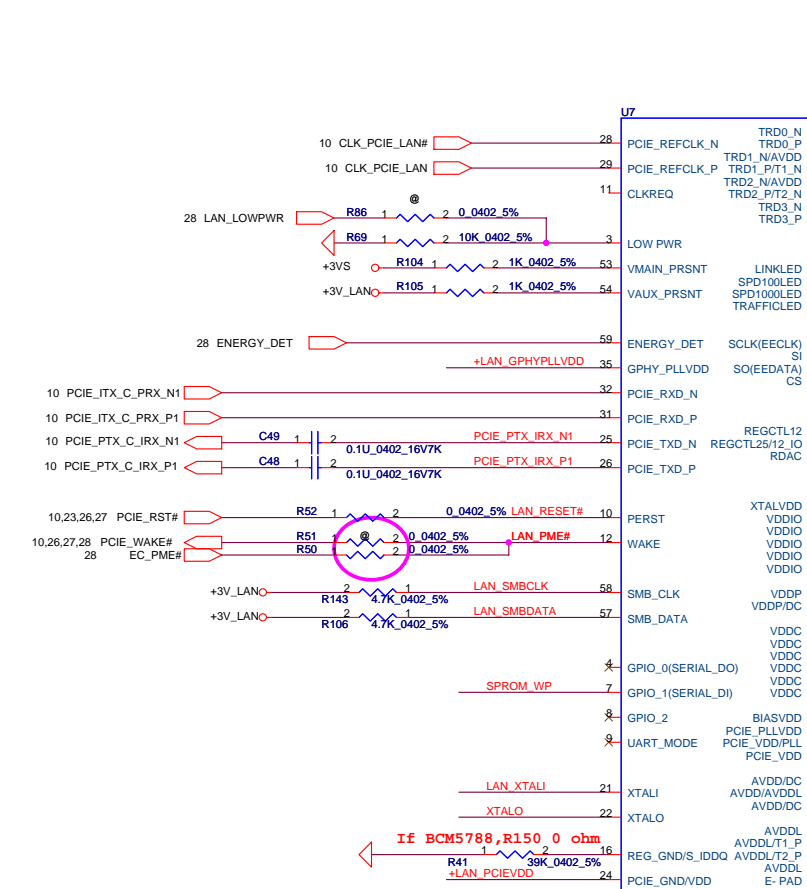
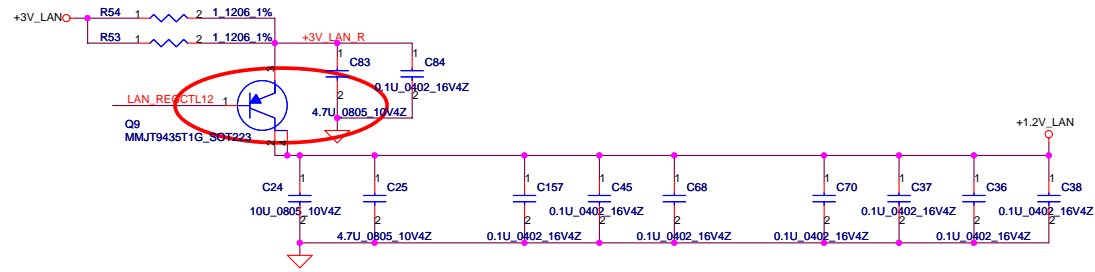
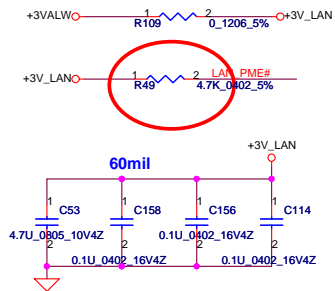
Memory Card Power Switch



4 IN 1 Socket Push Type(New)

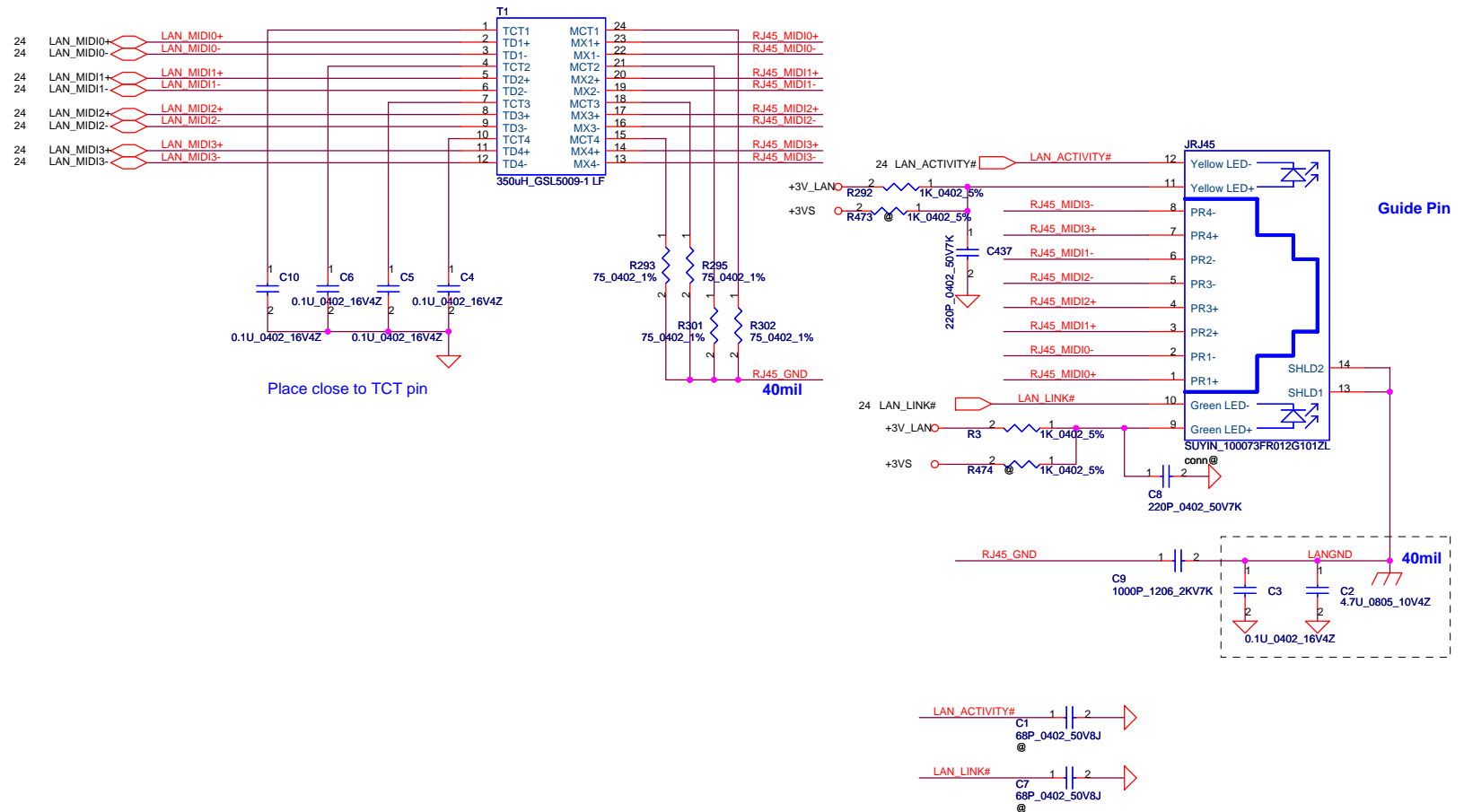


Security Classification		Compal Secret Data		Compal Electronics, Inc.	
Issued Date	2007/09/20	Deciphered Date	2008/09/20	Title	
THIS SHEET OF ENGINEERING DRAWING IS THE PROPRIETARY PROPERTY OF COMPAL ELECTRONICS, INC. AND CONTAINS CONFIDENTIAL AND TRADE SECRET INFORMATION. THIS SHEET MAY NOT BE TRANSFERRED FROM THE CUSTODY OF THE COMPETENT DIVISION OF R&D DEPARTMENT EXCEPT AS AUTHORIZED BY COMPAL ELECTRONICS, INC. NEITHER THIS SHEET NOR THE INFORMATION IT CONTAINS MAY BE USED BY OR DISCLOSED TO ANY THIRD PARTY WITHOUT PRIOR WRITTEN CONSENT OF COMPAL ELECTRONICS, INC.				SCHEMATIC MB A4681	
Size	Document Number			Rev D	
Customer	401627				
Date:	Thursday, January 15, 2009	Sheet	23	of 48	



Dr-Bios.com

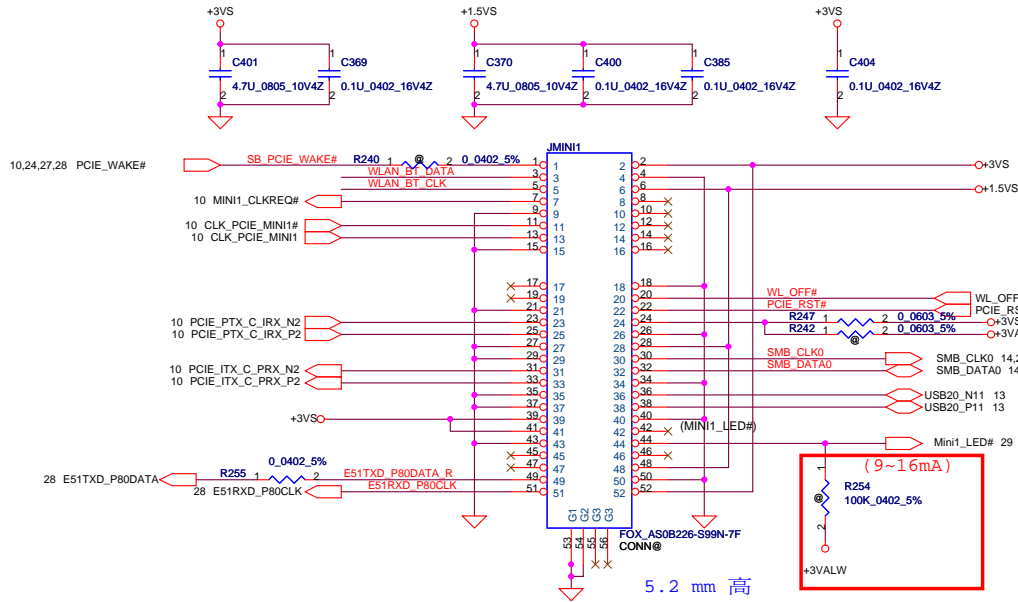
Security Classification		Compal Secret Data		Compal Electronics, Inc.	
Issued Date	2006/12/25	Deciphered Date	2007/12/25	Title	SCHEMATIC MB A4681
THIS SHEET OF ENGINEERING DRAWING IS THE PROPRIETARY PROPERTY OF COMPAL ELECTRONICS, INC. AND CONTAINS CONFIDENTIAL AND TRADE SECRET INFORMATION. THIS SHEET MAY NOT BE TRANSFERRED FROM THE CUSTODY OF THE COMPETENT DIVISION OF R&D DEPARTMENT EXCEPT AS AUTHORIZED BY COMPAL ELECTRONICS, INC. NEITHER THIS SHEET NOR THE INFORMATION IT CONTAINS MAY BE USED BY OR DISCLOSED TO ANY THIRD PARTY WITHOUT PRIOR WRITTEN CONSENT OF COMPAL ELECTRONICS, INC.					
Size	Document Number			Rev	D
	401627			Date:	Thursday, January 15, 2009
				Sheet	24 of 48



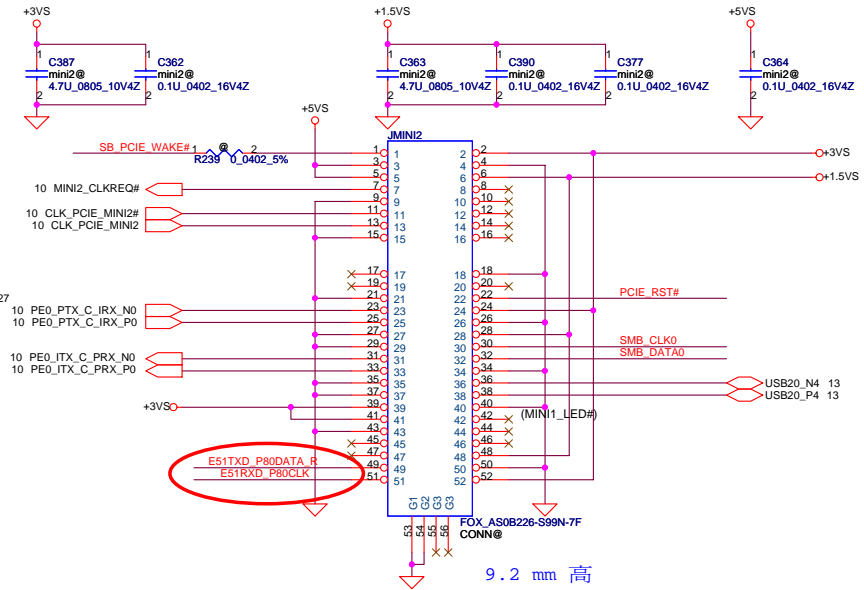
Dr-**Pine.com**

Security Classification		Compal Secret Data		Compal Electronics, Inc.	
Issued Date	2007/09/20	Deciphered Date	2008/09/20	Title	
THIS SHEET OF ENGINEERING DRAWING IS THE PROPRIETARY PROPERTY OF COMPAL ELECTRONICS, INC. AND CONTAINS CONFIDENTIAL AND TRADE SECRET INFORMATION. THIS SHEET MAY NOT BE TRANSFERRED FROM THE CUSTODY OF THE COMPETENT DIVISION OF R&D DEPARTMENT EXCEPT AS AUTHORIZED BY COMPAL ELECTRONICS, INC. NEITHER THIS SHEET NOR THE INFORMATION IT CONTAINS MAY BE USED BY OR DISCLOSED TO ANY THIRD PARTY WITHOUT PRIOR WRITTEN CONSENT OF COMPAL ELECTRONICS, INC.				SCHEMATIC MB A4681	
Size	Document Number			Rev	
B	401627			D	
Date:	Thursday, January 15, 2009	Sheet	25	of	48

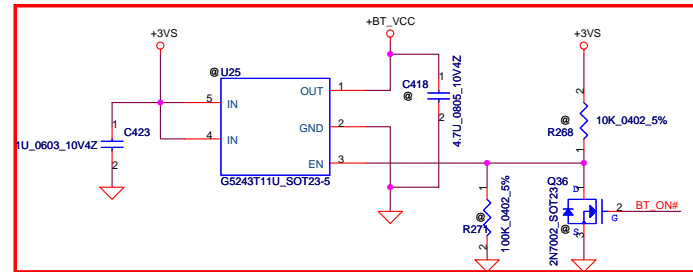
For Wireless LAN



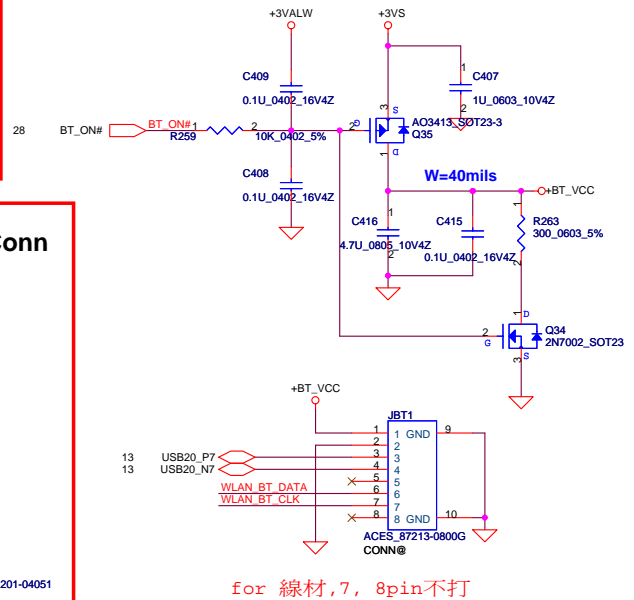
For TV-Tuner/HW MPEG



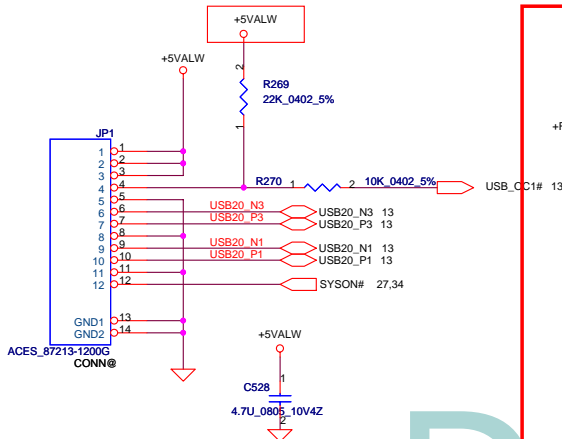
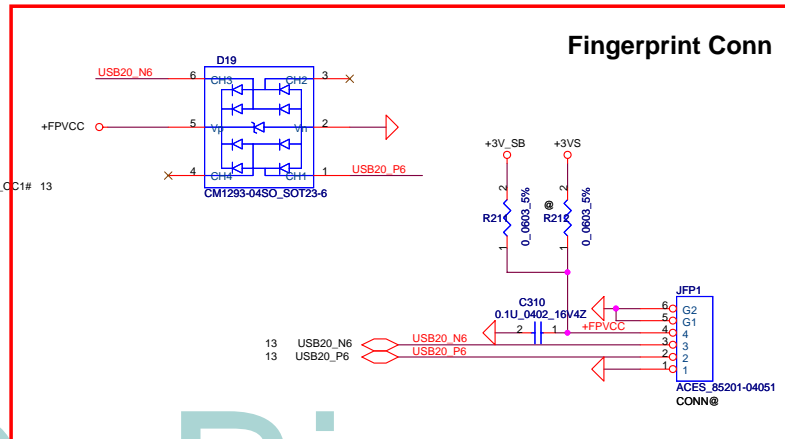
Mini Card Power Rating			
Power	Primary Power (mA)	Auxiliary Power (mA)	
	Peak	Normal	Normal
+3VS	1000	750	
+3V	330	250	250 (wake enable)
+1.5VS	500	375	5 (Not wake enable)



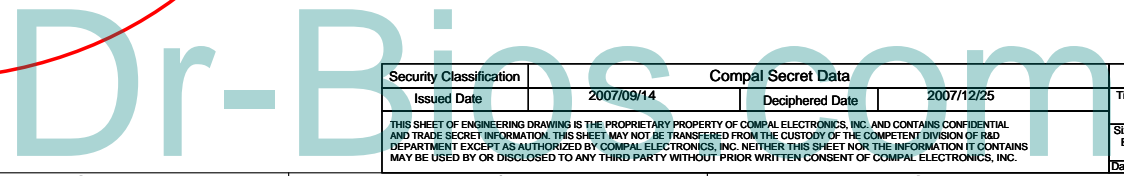
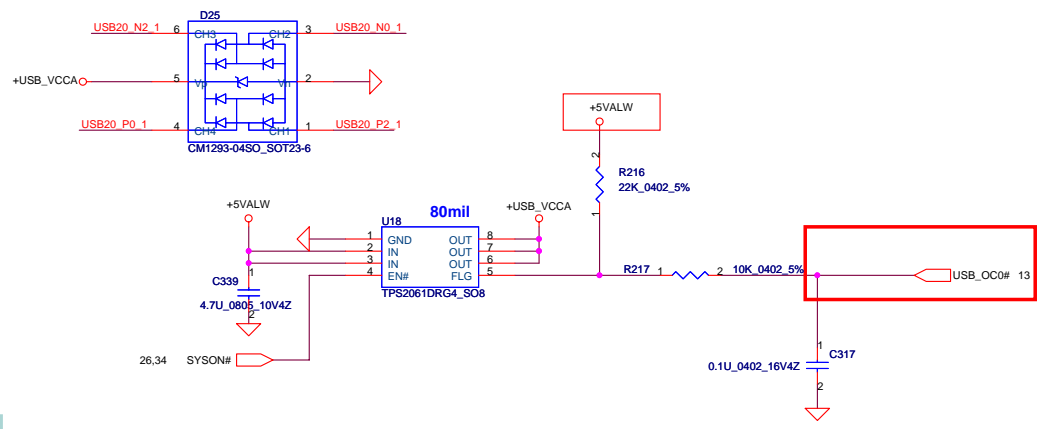
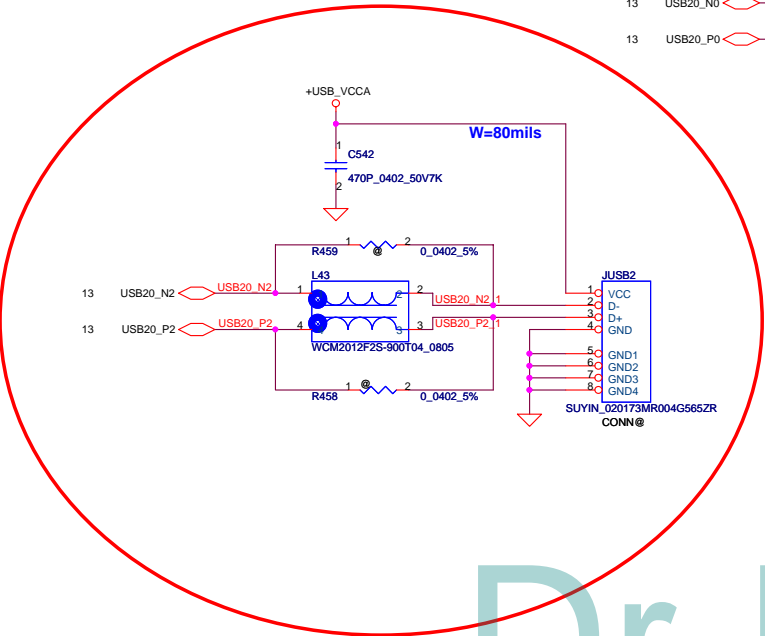
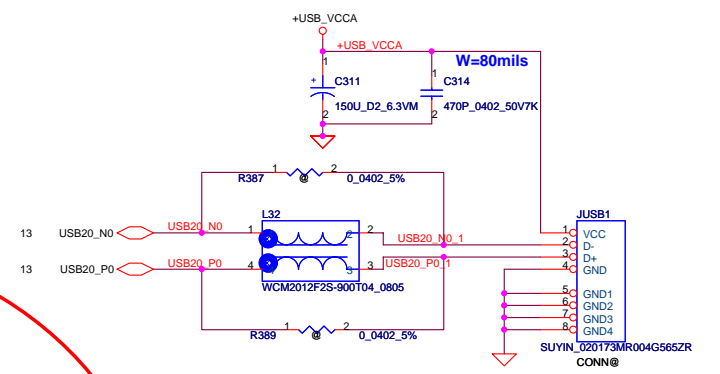
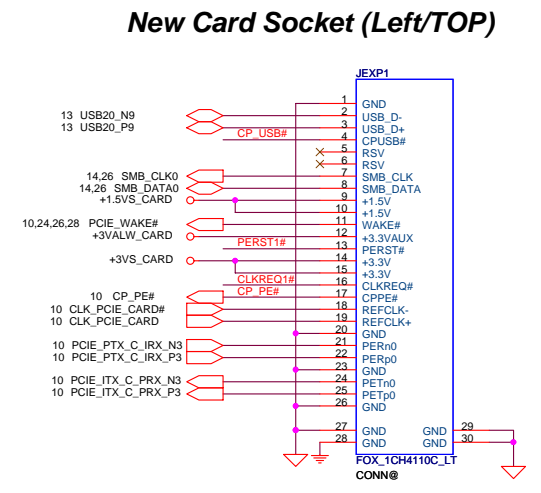
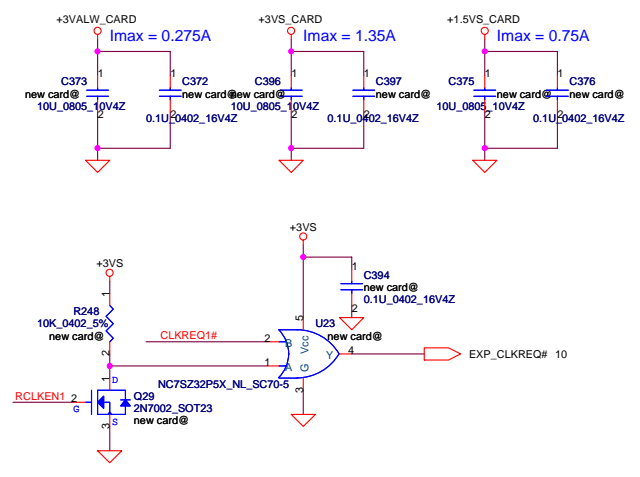
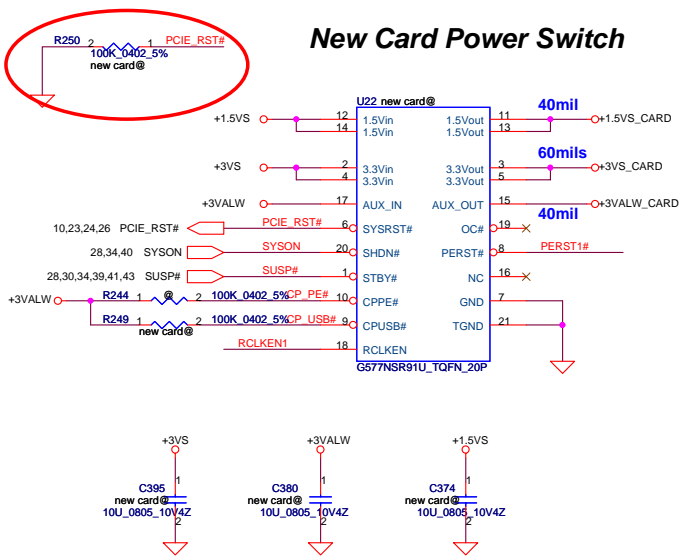
Bluetooth Conn.



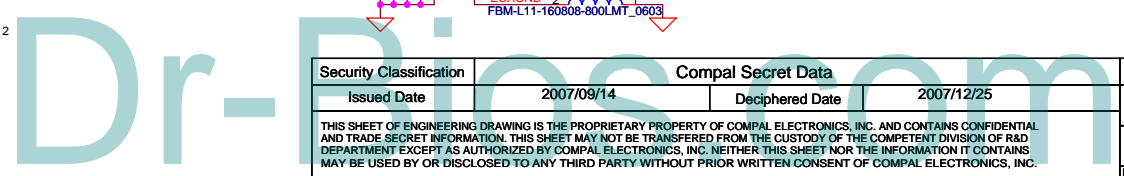
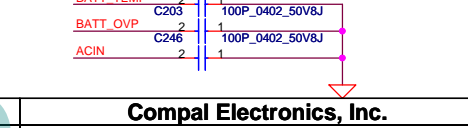
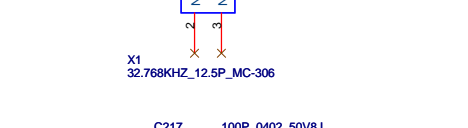
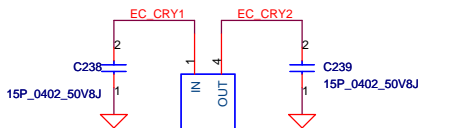
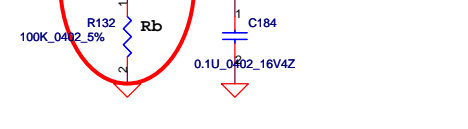
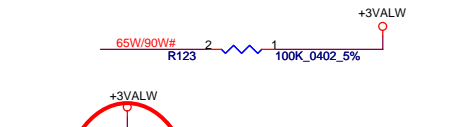
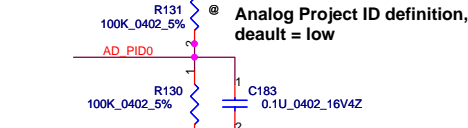
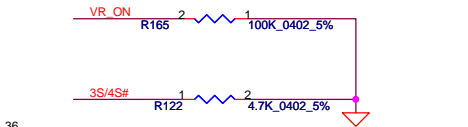
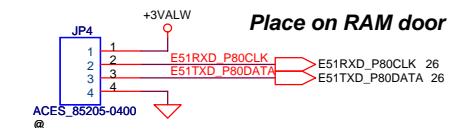
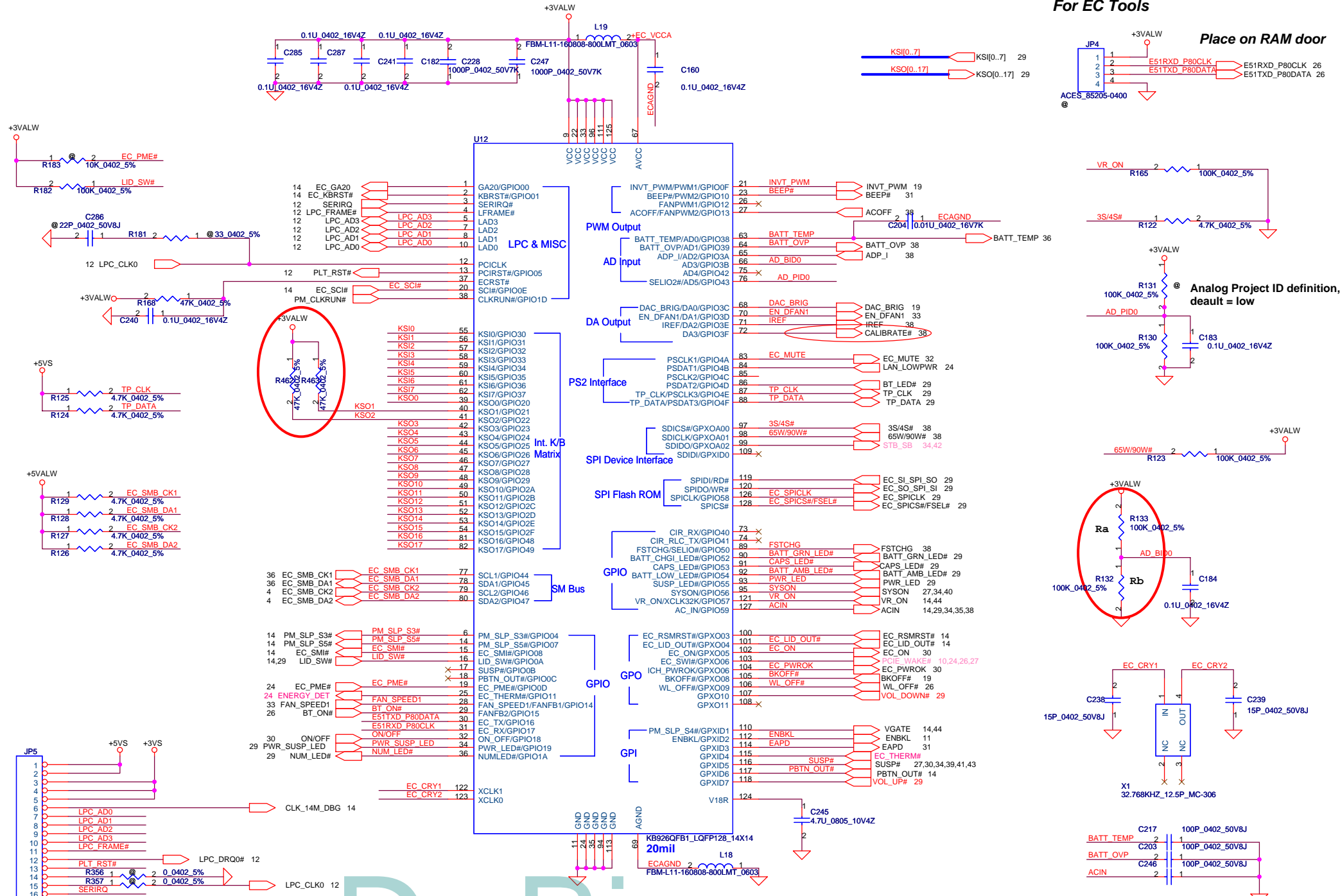
for 線材, 7, 8pin不打



To USB/B Connector



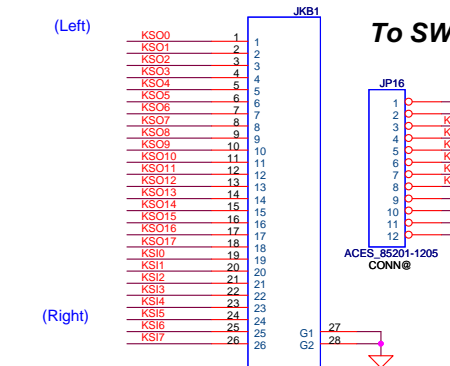
Security Classification	Compal Secret Data		Title	
Issued Date	2007/09/14	Deciphered Date	2007/12/25	Compal Electronics, Inc.
THIS SHEET OF ENGINEERING DRAWING IS THE PROPRIETARY PROPERTY OF COMPAL ELECTRONICS, INC. AND CONTAINS CONFIDENTIAL AND TRADE SECRET INFORMATION. THIS SHEET MAY NOT BE TRANSFERRED FROM THE CUSTODY OF THE COMPETENT DIVISION OF R&D DEPARTMENT EXCEPT AS AUTHORIZED BY COMPAL ELECTRONICS, INC. NEITHER THIS SHEET NOR THE INFORMATION IT CONTAINS MAY BE USED BY OR DISCLOSED TO ANY THIRD PARTY WITHOUT PRIOR WRITTEN CONSENT OF COMPAL ELECTRONICS, INC.				SCHEMATIC MB A4681
Size B	Document Number	Date:		Rev D
	401627	Thursday, January 15, 2009		
			Sheet 27 of 48	



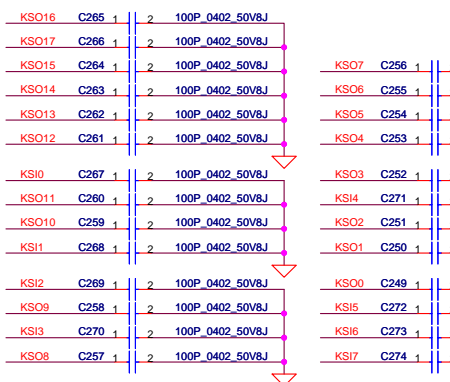
Security Classification		Compal Secret Data	
Issued Date	2007/09/14	Deciphered Date	2007/12/25
THIS SHEET OF ENGINEERING DRAWING IS THE PROPRIETARY PROPERTY OF COMPAL ELECTRONICS, INC. AND CONTAINS CONFIDENTIAL AND TRADE SECRET INFORMATION. THIS SHEET MAY NOT BE TRANSFERRED FROM THE CUSTODY OF THE COMPETENT DIVISION OF R&D DEPARTMENT EXCEPT AS AUTHORIZED BY COMPAL ELECTRONICS, INC. NEITHER THIS SHEET NOR THE INFORMATION IT CONTAINS MAY BE USED BY OR DISCLOSED TO ANY THIRD PARTY WITHOUT PRIOR WRITTEN CONSENT OF COMPAL ELECTRONICS, INC.			

Compal Electronics, Inc.		
Title		
SCHEMATIC MB A4681		
Size	Document Number	Rev
B	401627	D
Date:	Thursday, January 15, 2009	Sheet 28 of 48

INT_KBD Conn.

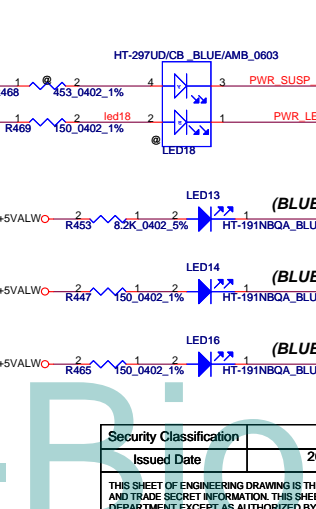
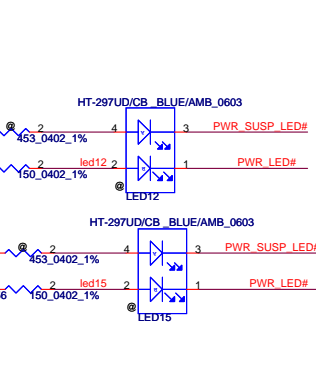
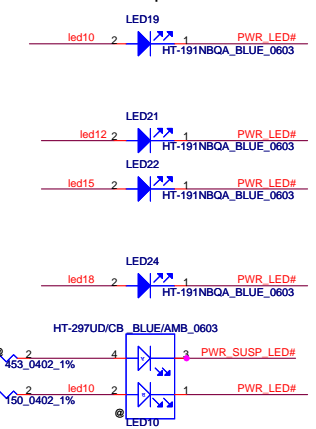
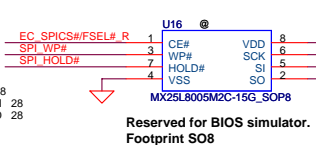
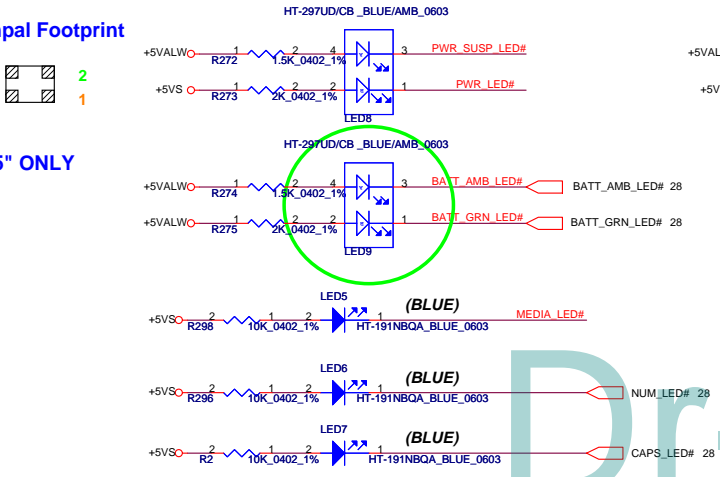


To SW/B

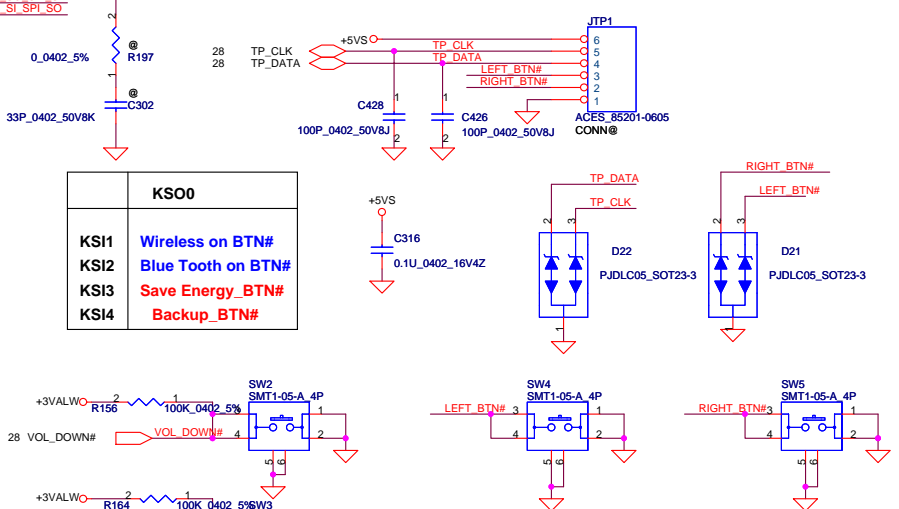


Compal Footprint

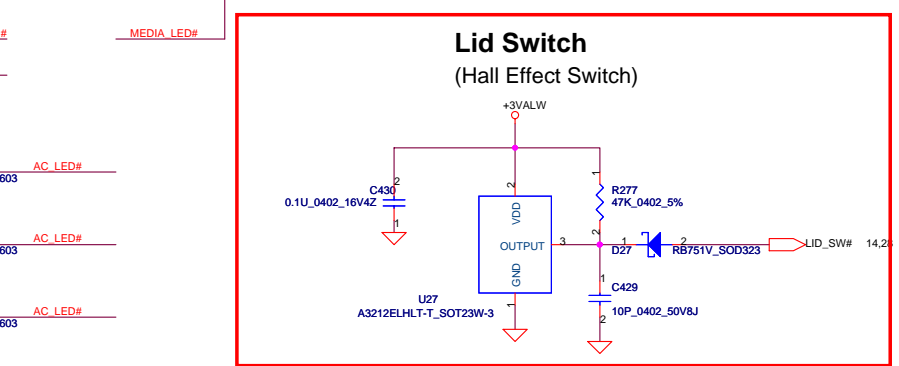
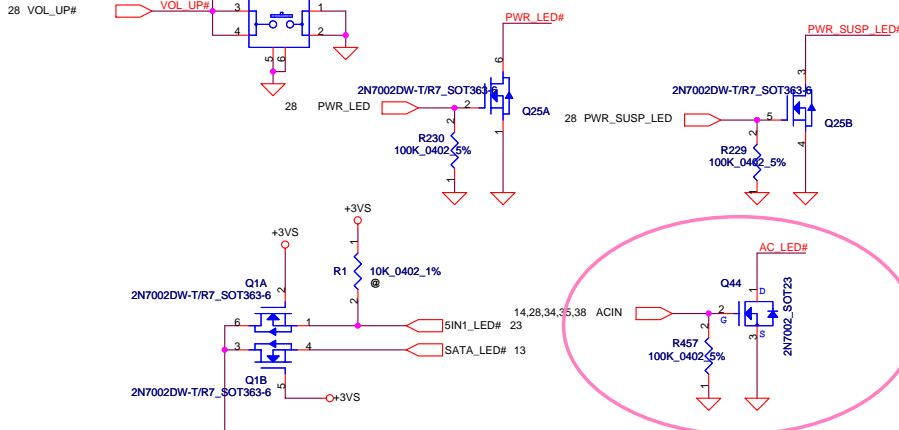
15" ONLY



To TP/B Conn.



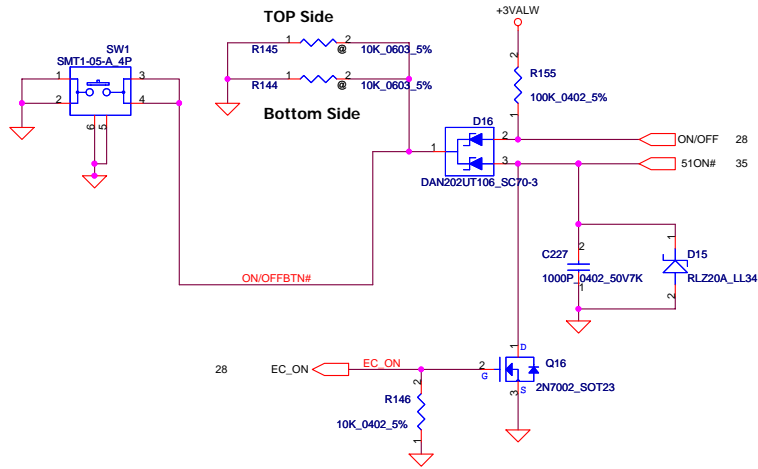
	KSO0
KSI1	Wireless on BTN#
KSI2	Blue Tooth on BTN#
KSI3	Save Energy_BTN#
KSI4	Backup_BTN#



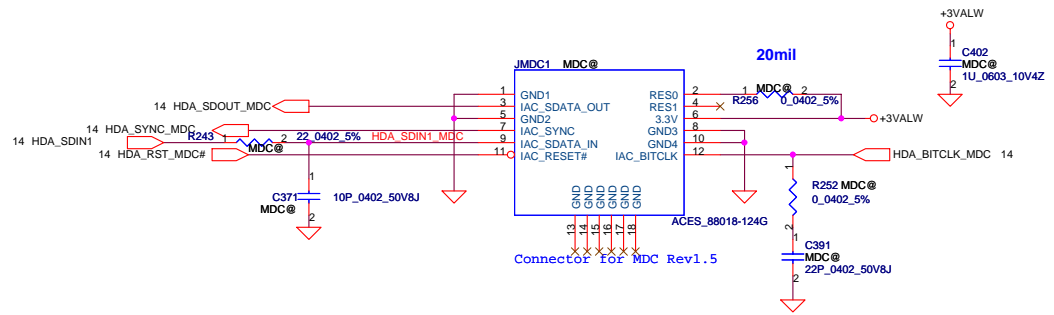
Security Classification		Compal Secret Data		Compal Electronics, Inc.	
Issued Date	2007/09/14	Deciphered Date	2007/12/25	Title	SCHMATIC MB A4681
THIS SHEET OF ENGINEERING DRAWING IS THE PROPRIETARY PROPERTY OF COMPAL ELECTRONICS, INC. AND CONTAINS CONFIDENTIAL AND TRADE SECRET INFORMATION. THIS SHEET MAY NOT BE TRANSFERRED FROM THE CUSTODY OF THE COMPETENT DIVISION OF R&D DEPARTMENT EXCEPT AS AUTHORIZED BY COMPAL ELECTRONICS, INC. NEITHER THIS SHEET NOR THE INFORMATION IT CONTAINS MAY BE USED BY OR DISCLOSED TO ANY THIRD PARTY WITHOUT PRIOR WRITTEN CONSENT OF COMPAL ELECTRONICS, INC.					
Size	B	Document Number	401627	Rev	D
Date:	Thursday, January 15, 2009	Sheet	29	of	48

Power Button

ON/OFF switch

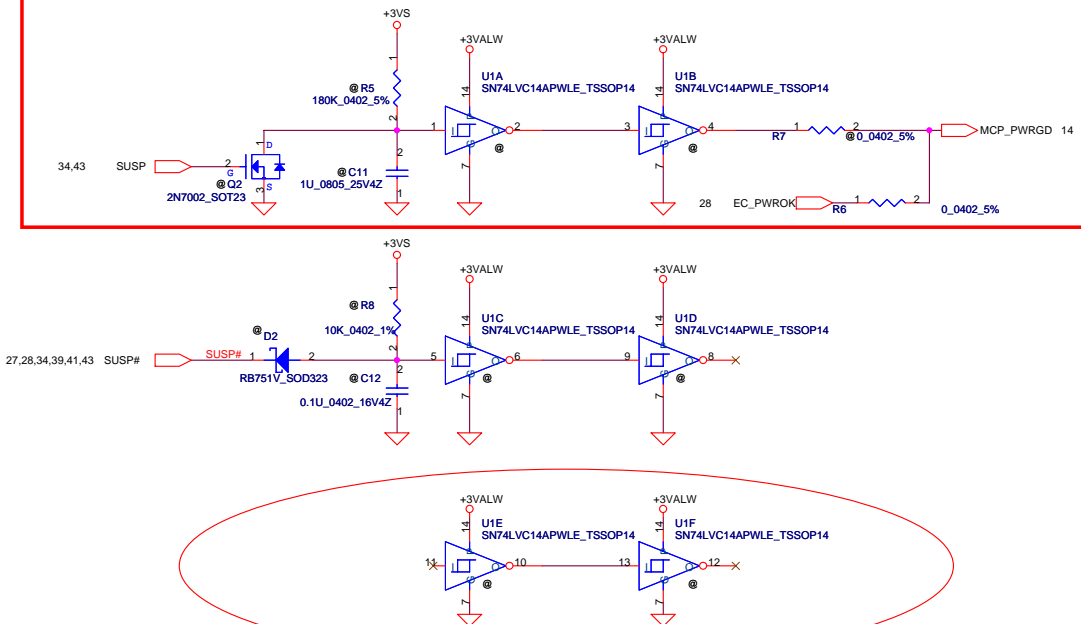


HDA MDC Conn.

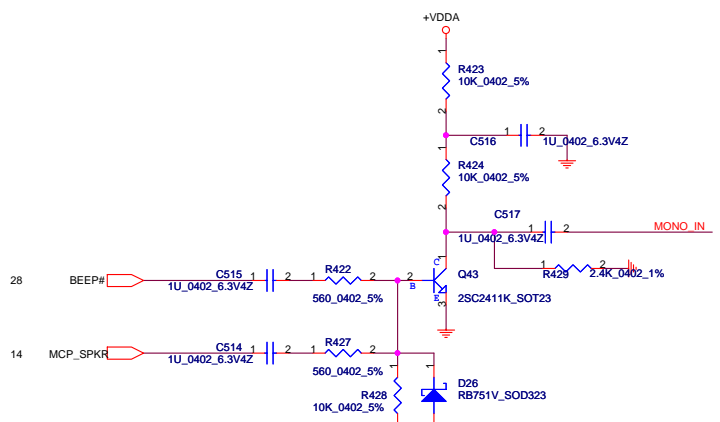


Power ON Circuit

For South Bridge

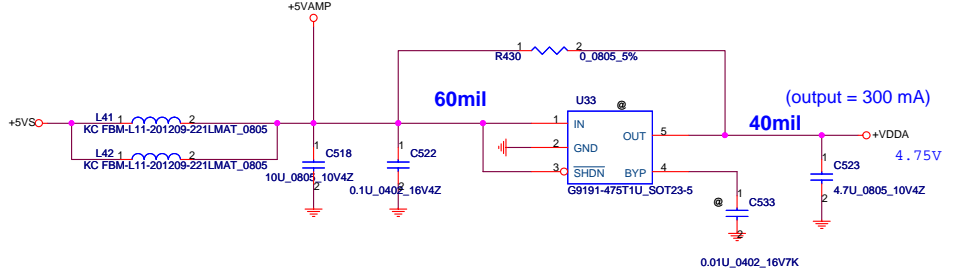


Security Classification	Compal Secret Data	Title	
Issued Date	2007/09/14	SCHEMATIC MB A4681	
Deciphered Date	2007/12/25	Size	Document Number
THIS SHEET OF ENGINEERING DRAWING IS THE PROPRIETARY PROPERTY OF COMPAL ELECTRONICS, INC. AND CONTAINS CONFIDENTIAL AND TRADE SECRET INFORMATION. THIS SHEET MAY NOT BE TRANSFERRED FROM THE CUSTODY OF THE COMPETENT DIVISION OF R&D DEPARTMENT EXCEPT AS AUTHORIZED BY COMPAL ELECTRONICS, INC. NEITHER THIS SHEET NOR THE INFORMATION IT CONTAINS MAY BE USED BY OR DISCLOSED TO ANY THIRD PARTY WITHOUT PRIOR WRITTEN CONSENT OF COMPAL ELECTRONICS, INC.		B	401627
Date:	Thursday, January 15, 2009	Rev	D
Sheet	30	of	48

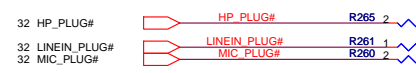
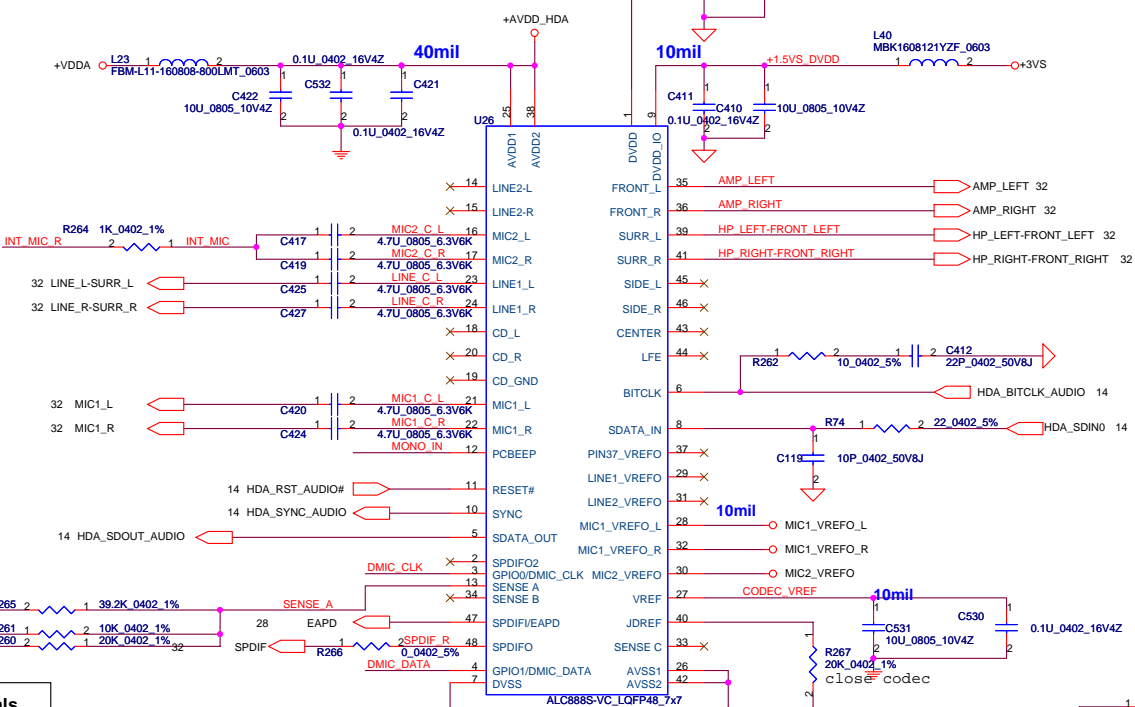


BOM Option

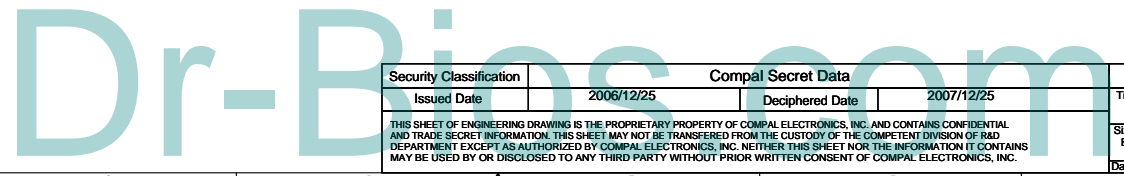
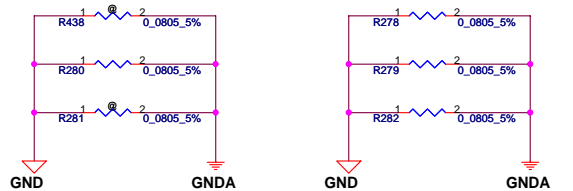
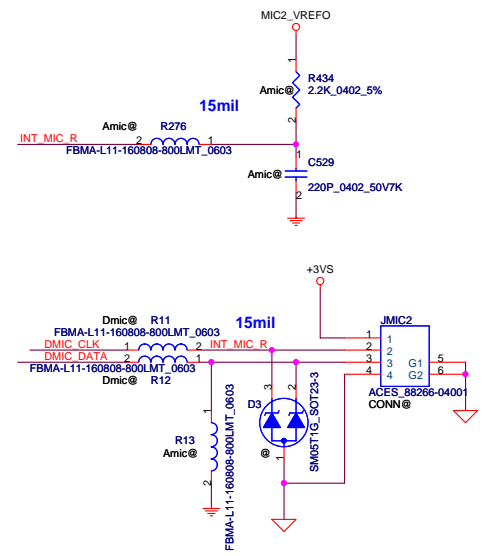
ALC268	268@
ALC888S-VC	888VC@



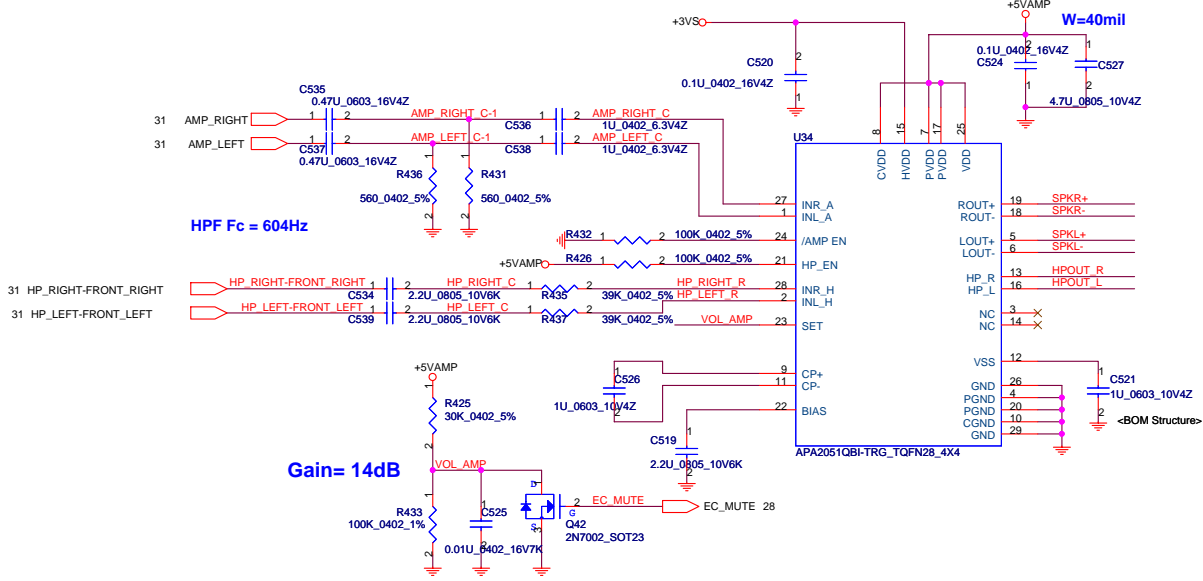
HD Audio Codec



Sense Pin	Impedance	Codec Signals
SENSE A	39.2K	PORT-A (PIN 39, 41)
	20K	PORT-B (PIN 21, 22)
	10K	PORT-C (PIN 23, 24)
	5.1K	PORT-D (PIN 35, 36)
SENSE B	39.2K	PORT-E (PIN 14, 15)
	20K	PORT-F (PIN 16, 17)
	10K	PORT-G (PIN 43, 44)
	5.1K	PORT-H (PIN 45, 46)

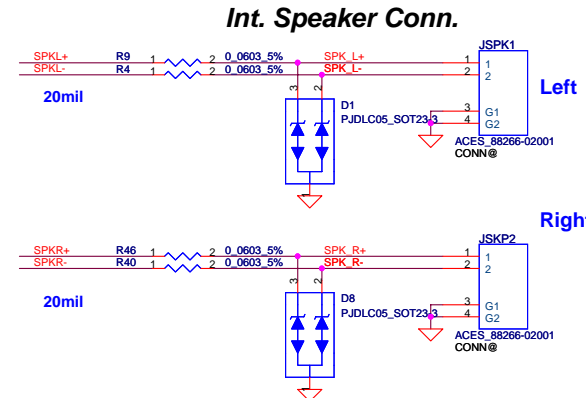


Security Classification	Compal Secret Data		Title	
Issued Date	2006/12/25	Deciphered Date	2007/12/25	Compal Electronics, Inc.
THIS SHEET OF ENGINEERING DRAWING IS THE PROPRIETARY PROPERTY OF COMPAL ELECTRONICS, INC. AND CONTAINS CONFIDENTIAL AND TRADE SECRET INFORMATION. THIS SHEET MAY NOT BE TRANSFERRED FROM THE CUSTODY OF THE COMPETENT DIVISION OF R&D DEPARTMENT EXCEPT AS AUTHORIZED BY COMPAL ELECTRONICS, INC. NEITHER THIS SHEET NOR THE INFORMATION IT CONTAINS MAY BE USED BY OR DISCLOSED TO ANY THIRD PARTY WITHOUT PRIOR WRITTEN CONSENT OF COMPAL ELECTRONICS, INC.				SCHEMATIC MB A4681
Size B	Document Number	Date	Thursday, January 15, 2009	Rev D
	401627		Sheet 31 of 48	

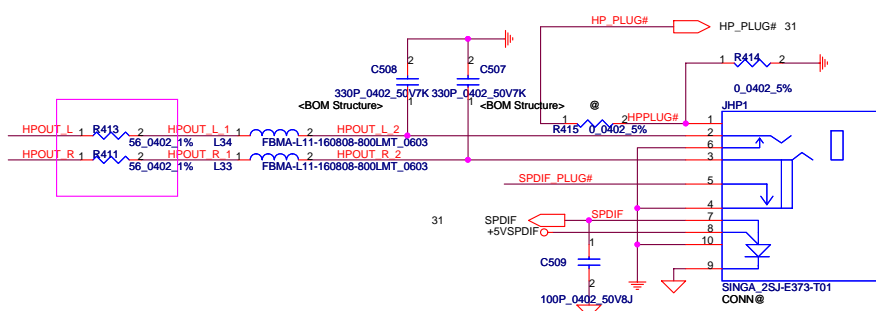


HPF Fc = 604Hz

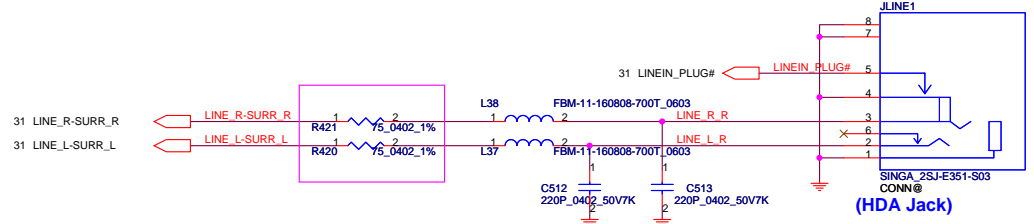
Gain = 14dB



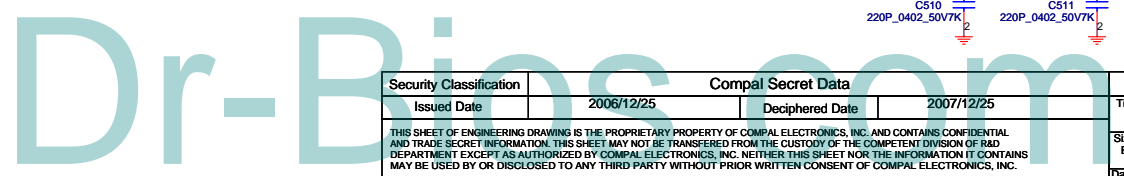
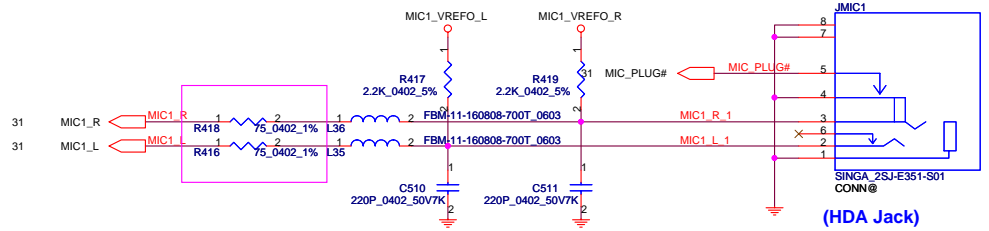
**S/PDIF Out JACK
LINE Out/Headphone Out**



LINE-IN JACK

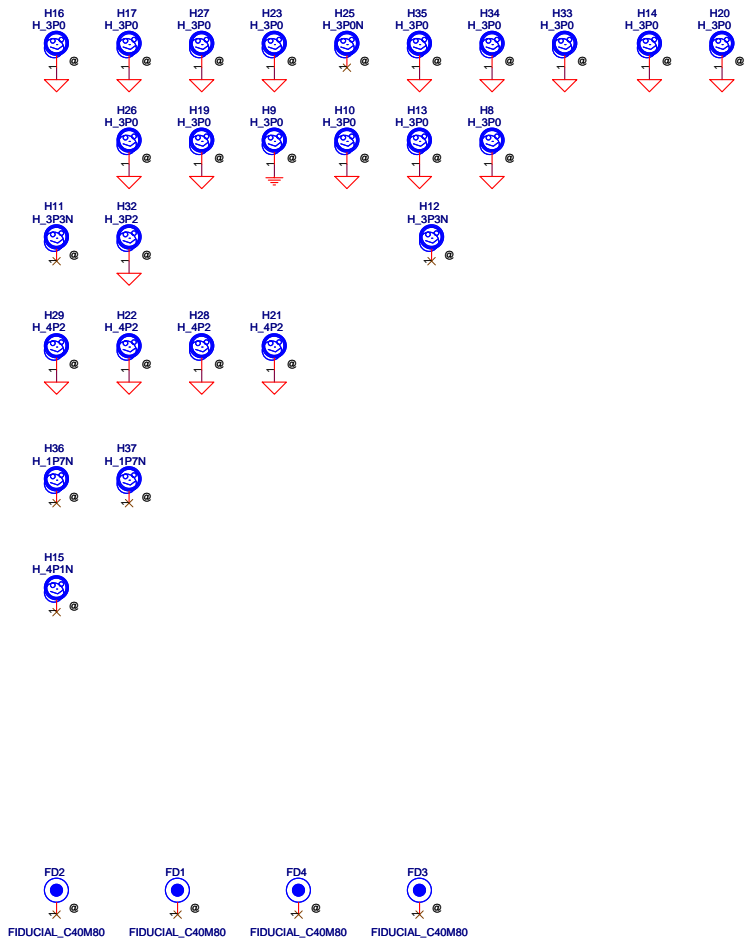
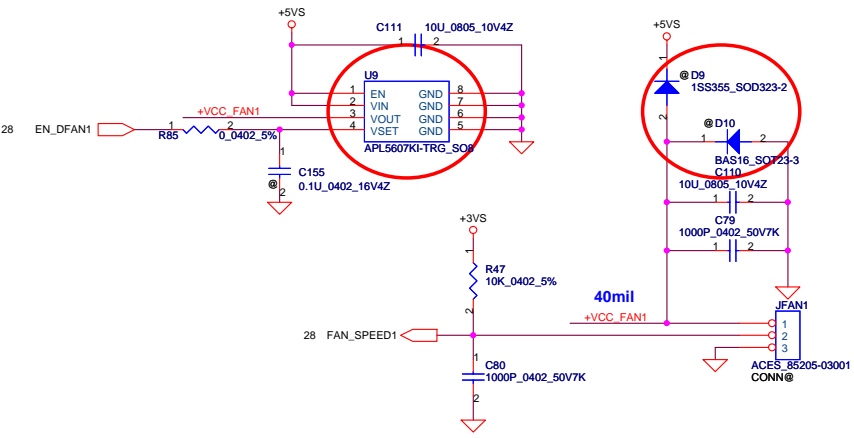


MIC JACK



Security Classification	Compal Secret Data		Title	Compal Electronics, Inc.	
Issued Date	2006/12/25	Deciphered Date	2007/12/25	SCHEMATIC MB A4681	
THIS SHEET OF ENGINEERING DRAWING IS THE PROPRIETARY PROPERTY OF COMPAL ELECTRONICS, INC. AND CONTAINS CONFIDENTIAL AND TRADE SECRET INFORMATION. THIS SHEET MAY NOT BE TRANSFERRED FROM THE CUSTODY OF THE COMPETENT DIVISION OF R&D DEPARTMENT EXCEPT AS AUTHORIZED BY COMPAL ELECTRONICS, INC. NEITHER THIS SHEET NOR THE INFORMATION IT CONTAINS MAY BE USED BY OR DISCLOSED TO ANY THIRD PARTY WITHOUT PRIOR WRITTEN CONSENT OF COMPAL ELECTRONICS, INC.					
Size	B	Document Number	401627	Rev	D
Date:	Thursday, January 15, 2009		Sheet	32	of 48

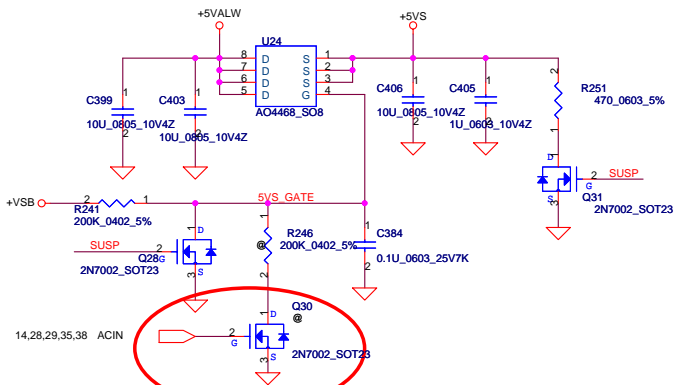
FAN1 Conn



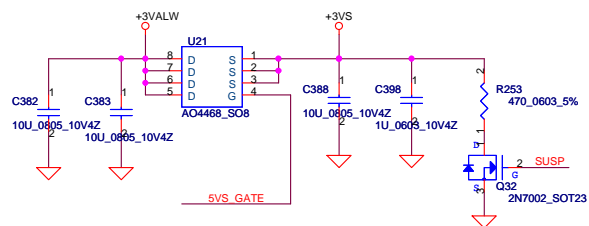
Dr-Engineer.com

Security Classification		Compal Secret Data		Compal Electronics, Inc.	
Issued Date	2007/09/14	Deciphered Date	2007/12/25	Title	
THIS SHEET OF ENGINEERING DRAWING IS THE PROPRIETARY PROPERTY OF COMPAL ELECTRONICS, INC. AND CONTAINS CONFIDENTIAL AND TRADE SECRET INFORMATION. THIS SHEET MAY NOT BE TRANSFERRED FROM THE CUSTODY OF THE COMPETENT DIVISION OF R&D DEPARTMENT EXCEPT AS AUTHORIZED BY COMPAL ELECTRONICS, INC. NEITHER THIS SHEET NOR THE INFORMATION IT CONTAINS MAY BE USED BY OR DISCLOSED TO ANY THIRD PARTY WITHOUT PRIOR WRITTEN CONSENT OF COMPAL ELECTRONICS, INC.				SCHEMATIC MB A4681	
Size	Document Number			Rev	
B	401627			D	
Date:	Thursday, January 15, 2009	Sheet	33	of	48

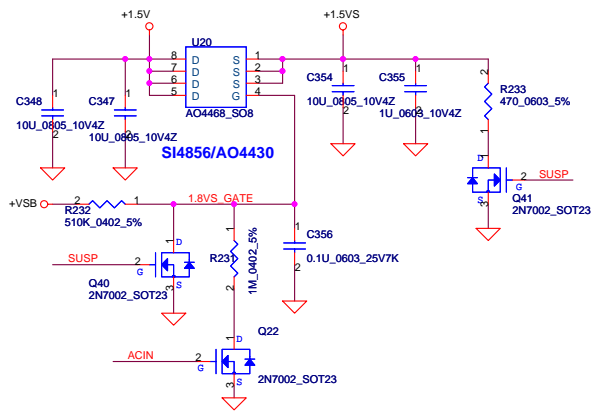
+5VALW TO +5VS



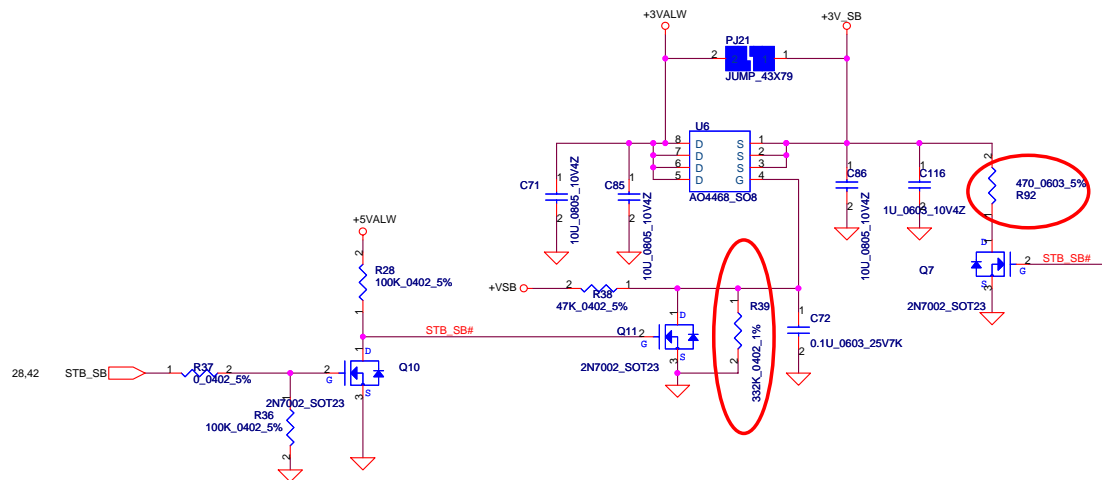
+3VALW TO +3VS



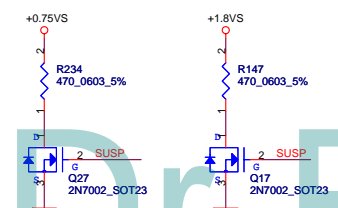
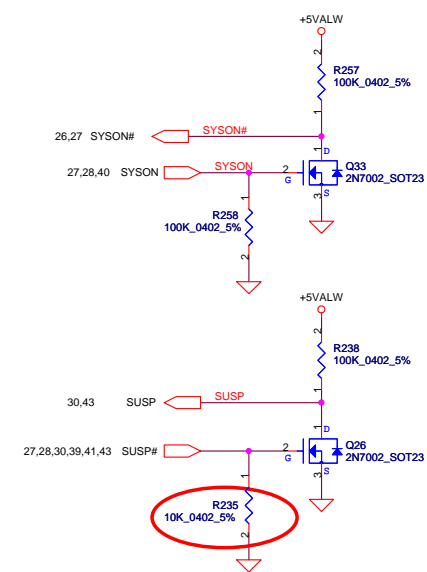
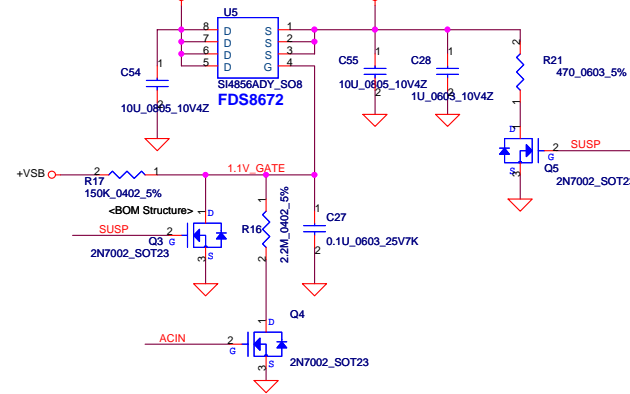
+1.5V to +1.5VS



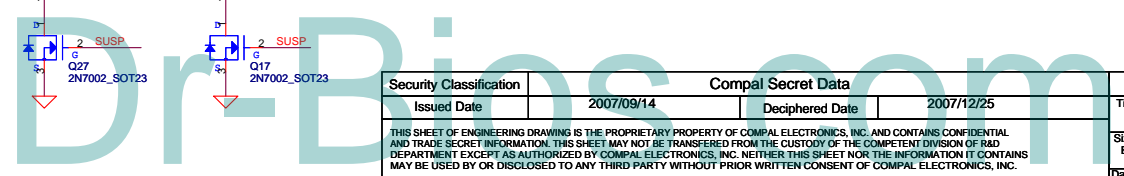
+3VALW TO +3V_SB

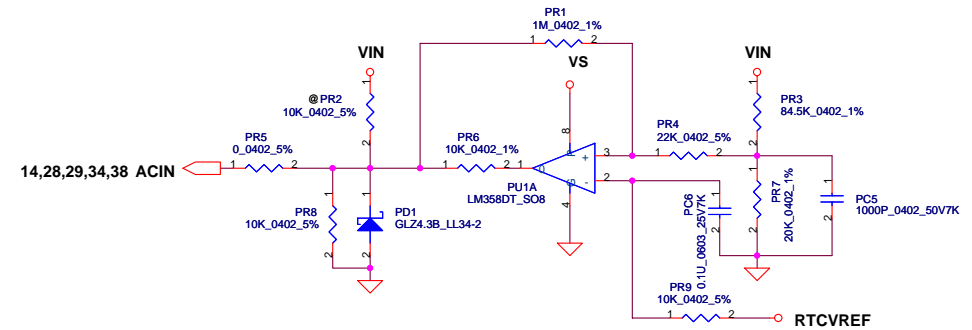
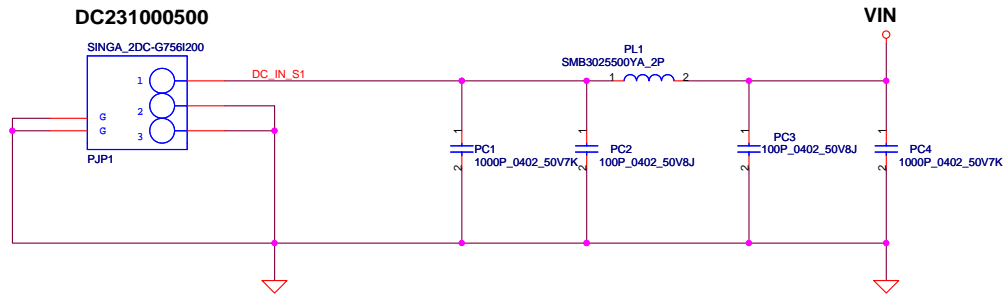


+1.1V_SB to +1.1VS

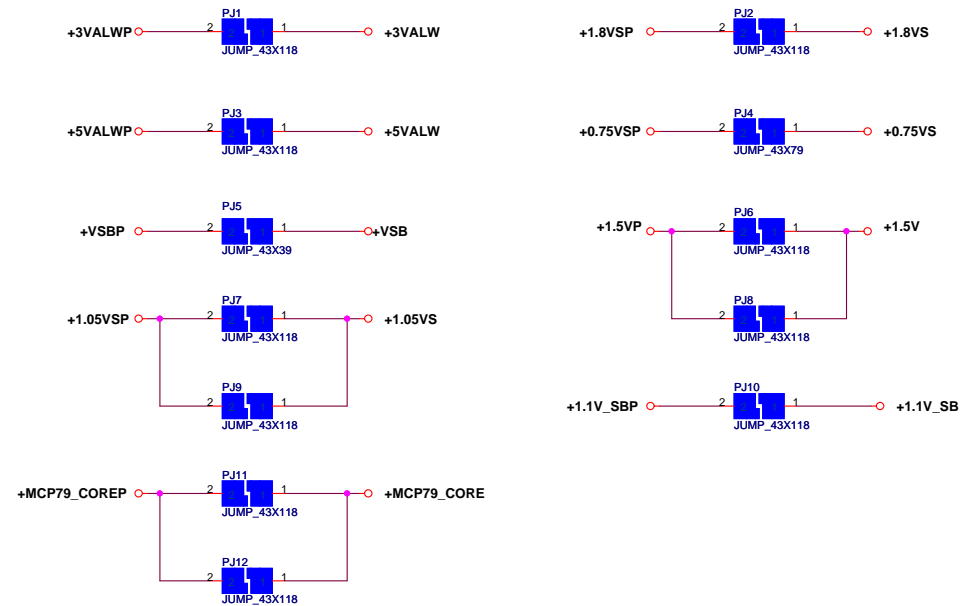
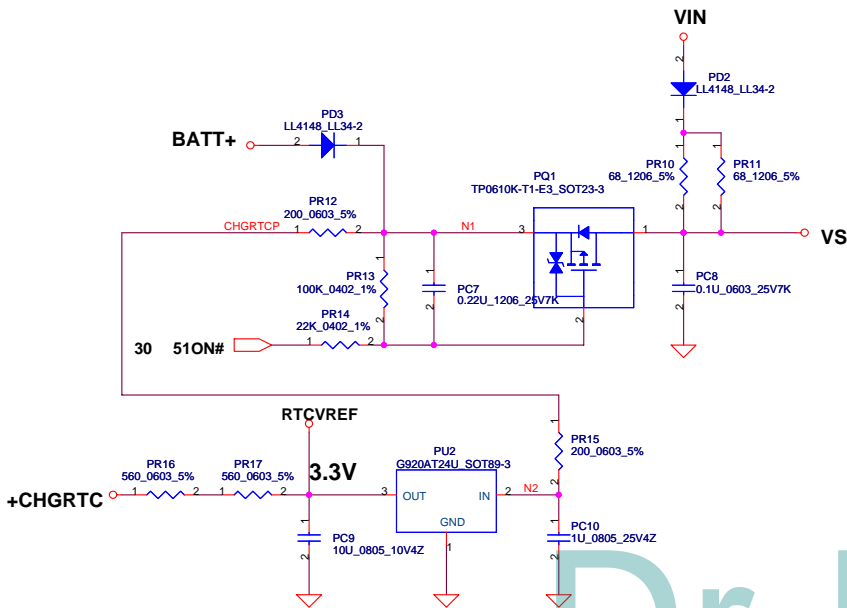
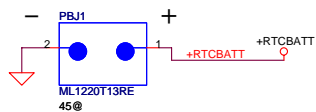


Security Classification		Compal Secret Data		Title	
Issued Date	2007/09/14	Deciphered Date	2007/12/25	Compal Electronics, Inc.	
THIS SHEET OF ENGINEERING DRAWING IS THE PROPRIETARY PROPERTY OF COMPAL ELECTRONICS, INC. AND CONTAINS CONFIDENTIAL AND TRADE SECRET INFORMATION. THIS SHEET MAY NOT BE TRANSFERRED FROM THE CUSTODY OF THE COMPETENT DIVISION OF R&D DEPARTMENT EXCEPT AS AUTHORIZED BY COMPAL ELECTRONICS, INC. NEITHER THIS SHEET NOR THE INFORMATION IT CONTAINS MAY BE USED BY OR DISCLOSED TO ANY THIRD PARTY WITHOUT PRIOR WRITTEN CONSENT OF COMPAL ELECTRONICS, INC.				Size B	Document Number
				401627	Rev D
Date: Thursday, January 15, 2009				Sheet 34	of 48





Vin Dectector			
	Min.	Typ	Max.
H-->L	16.976V	17.525V	17.728V
L-->H	17.430V	17.901V	18.384V

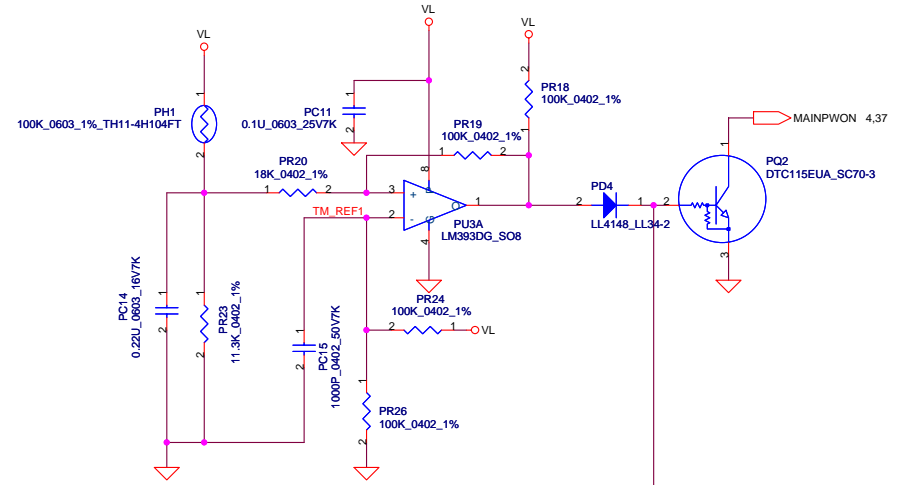
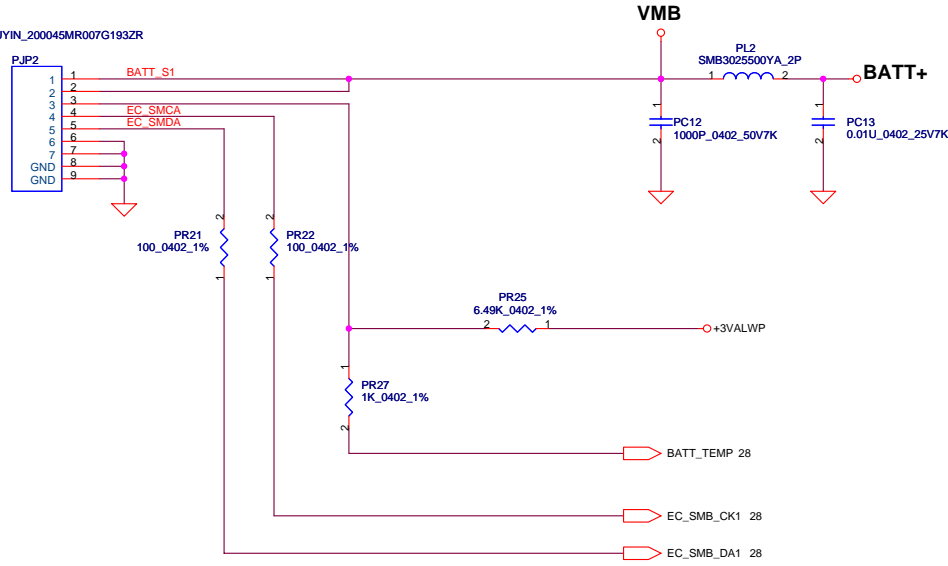


Dr-Bios.com

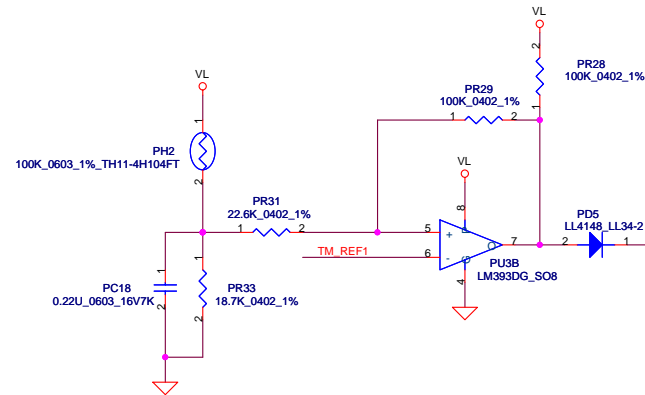
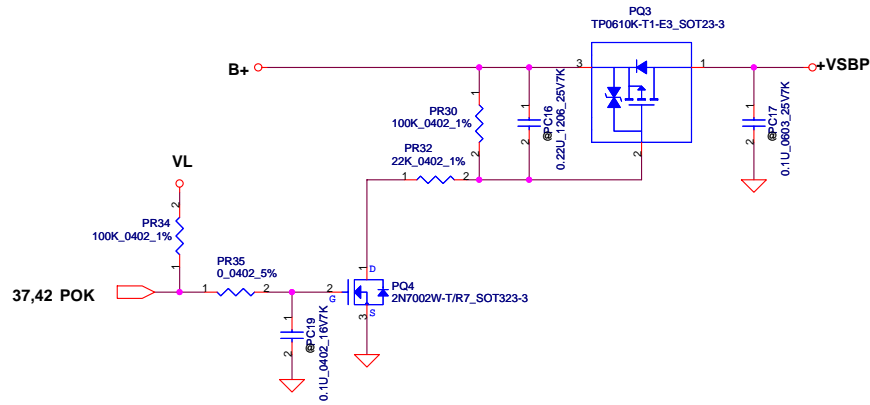
Security Classification		Compal Secret Data		Compal Electronics, Inc.		
Issued Date	2008/07/01	Deciphered Date	2009/12/31	Title		
THIS SHEET OF ENGINEERING DRAWING IS THE PROPRIETARY PROPERTY OF COMPAL ELECTRONICS, INC. AND CONTAINS CONFIDENTIAL AND TRADE SECRET INFORMATION. THIS SHEET MAY NOT BE TRANSFERRED FROM THE CUSTODY OF THE COMPETENT DIVISION OF R&D DEPARTMENT EXCEPT AS AUTHORIZED BY COMPAL ELECTRONICS, INC. NEITHER THIS SHEET NOR THE INFORMATION IT CONTAINS MAY BE USED BY OR DISCLOSED TO ANY THIRD PARTY WITHOUT PRIOR WRITTEN CONSENT OF COMPAL ELECTRONICS, INC.				SCHEMATIC MB A4681		
Size	Document Number	Rev D		Date: Thursday, January 15, 2009 Sheet 35 of 48		
Custom	401627					

PH1 under CPU botten side :
 CPU thermal protection at 92 degree C
 Recovery at 70 degree C

SUYIN_200045MR007G193ZR

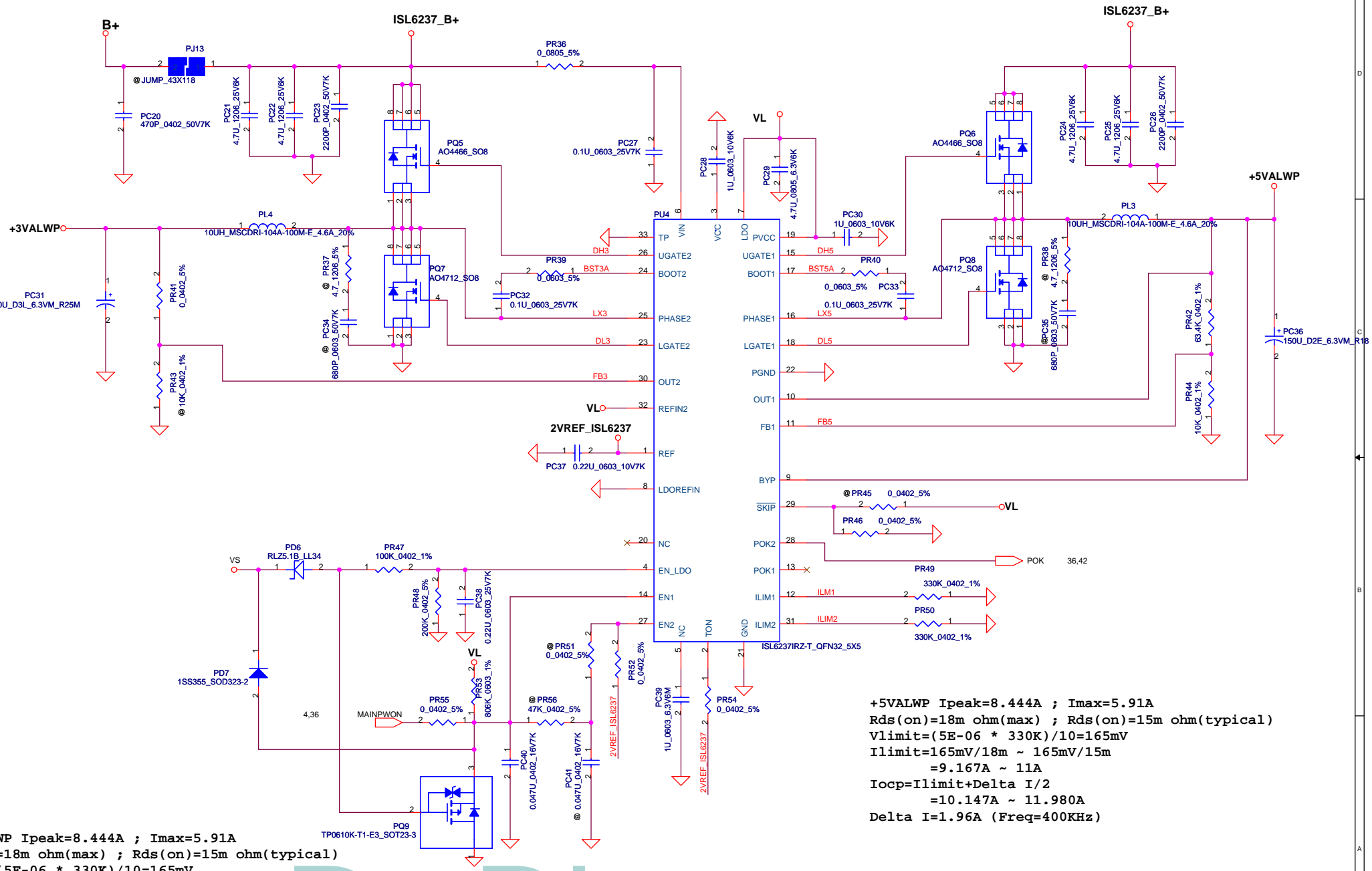


PH2 near main Battery CONN :
 BAT. thermal protection at 80 degree C
 Recovery at 55 degree C



Dr-Bios.com

Security Classification		Compal Secret Data		Compal Electronics, Inc.		
Issued Date	2008/07/01	Deciphered Date	2009/12/31	Title	SCHEMATIC MB A4681	
THIS SHEET OF ENGINEERING DRAWING IS THE PROPRIETARY PROPERTY OF COMPAL ELECTRONICS, INC. AND CONTAINS CONFIDENTIAL AND TRADE SECRET INFORMATION. THIS SHEET MAY NOT BE TRANSFERRED FROM THE CUSTODY OF THE COMPETENT DIVISION OF R&D DEPARTMENT EXCEPT AS AUTHORIZED BY COMPAL ELECTRONICS, INC. NEITHER THIS SHEET NOR THE INFORMATION IT CONTAINS MAY BE USED BY OR DISCLOSED TO ANY THIRD PARTY WITHOUT PRIOR WRITTEN CONSENT OF COMPAL ELECTRONICS, INC.				Size	Document Number	Rev
				Custpm	401627	D
Date:	Thursday, January 15, 2009	Sheet	36	of	48	

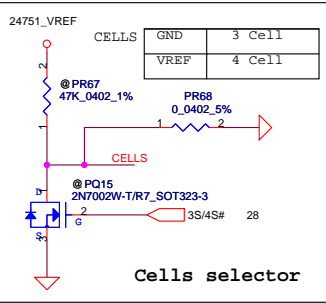
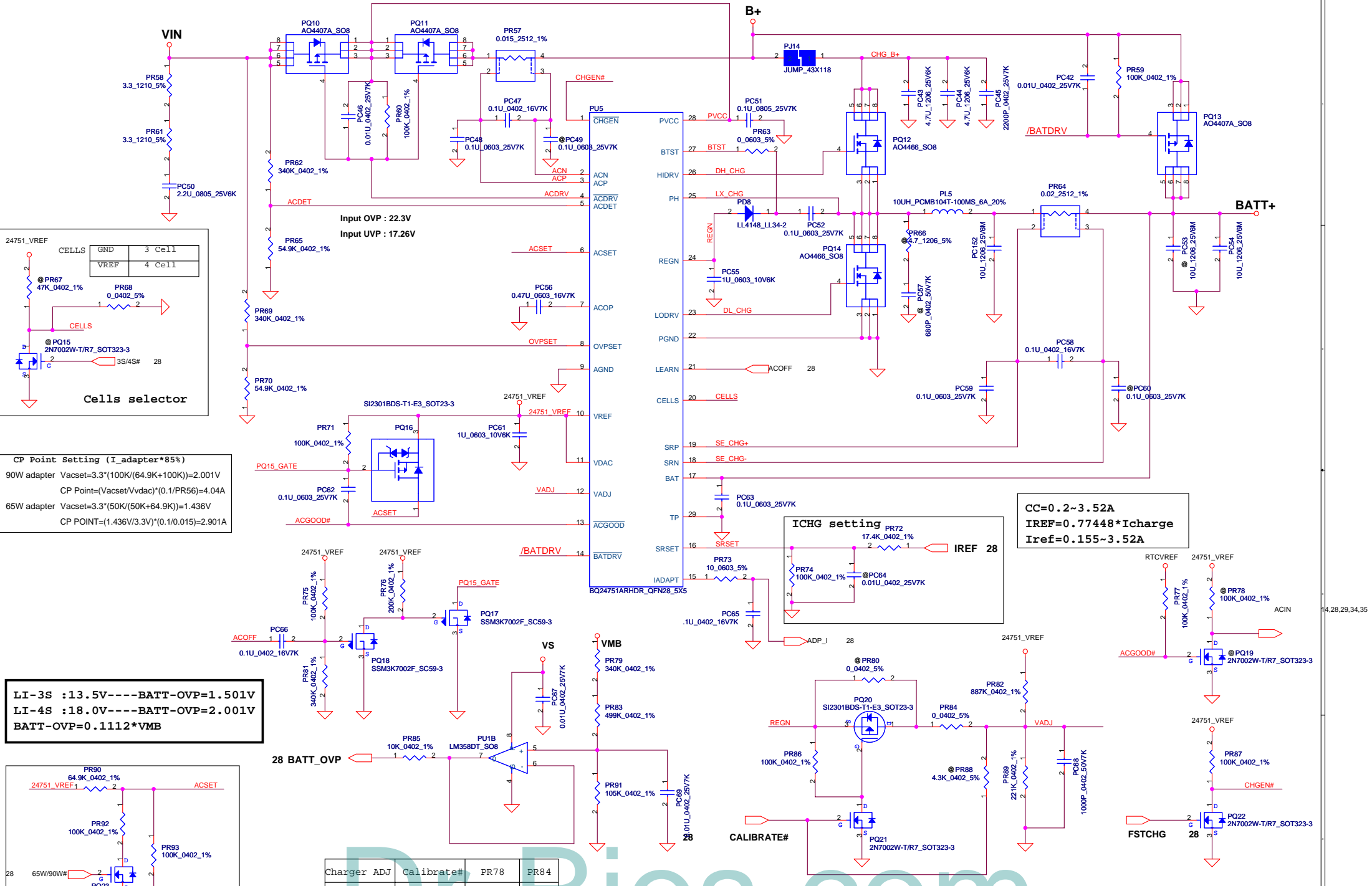


+3.3VALWP Ipeak=8.444A ; Imax=5.91A
 Rds(on)=18m ohm(max) ; Rds(on)=15m ohm(typical)
 Vlimit=(5E-06 * 330K)/10=165mV
 Ilimit=165mV/18m ~ 165mV/15m
 =9.167A ~ 11A
 Iocp=Ilimit+Delta I/2
 =10.134A ~ 11.967A
 Delta I=1.934A (Freq=300KHz)

+5VALWP Ipeak=8.444A ; Imax=5.91A
 Rds(on)=18m ohm(max) ; Rds(on)=15m ohm(typical)
 Vlimit=(5E-06 * 330K)/10=165mV
 Ilimit=165mV/18m ~ 165mV/15m
 =9.167A ~ 11A
 Iocp=Ilimit+Delta I/2
 =10.147A ~ 11.980A
 Delta I=1.96A (Freq=400KHz)

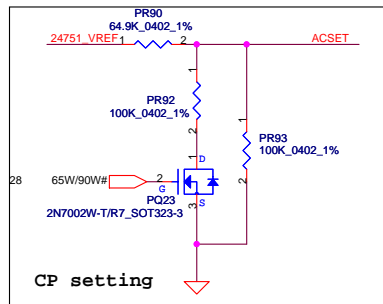
Security Classification		Compal Secret Data	
Issued Date	2008/07/01	Deciphered Date	2009/12/31
THIS SHEET OF ENGINEERING DRAWING IS THE PROPRIETARY PROPERTY OF COMPAL ELECTRONICS, INC. AND CONTAINS CONFIDENTIAL AND TRADE SECRET INFORMATION. THIS SHEET MAY NOT BE TRANSFERRED FROM THE CUSTODY OF THE COMPETENT DIVISION OF R&D DEPARTMENT EXCEPT AS AUTHORIZED BY COMPAL ELECTRONICS, INC. NEITHER THIS SHEET NOR THE INFORMATION IT CONTAINS MAY BE USED BY OR DISCLOSED TO ANY THIRD PARTY WITHOUT PRIOR WRITTEN CONSENT OF COMPAL ELECTRONICS, INC.			

Title			
SCHEMATIC MB A4681			
Size	Document Number	Rev	
Custom	401627	D	
Date:	Thursday, January 15, 2009	Sheet	37 of 48

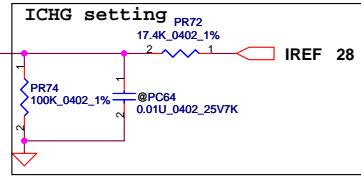


CP Point Setting (I_adapter*85%)
 90W adapter Vacset=3.3*(100K/(64.9K+100K))=2.001V
 CP Point=(Vacset/Vvdac)*(0.1/PR56)=4.04A
 65W adapter Vacset=3.3*(50K/(50K+64.9K))=1.436V
 CP POINT=(1.436V/3.3V)*(0.1/0.015)=2.901A

LI-3S : 13.5V --- BATT-OVP=1.501V
LI-4S : 18.0V --- BATT-OVP=2.001V
BATT-OVP=0.1112*VMB



Charger ADJ	Calibrate#	PR78	PR84
4.0V	L	@	@
4.1V	L	887K	221K
4.2V	H	@	@

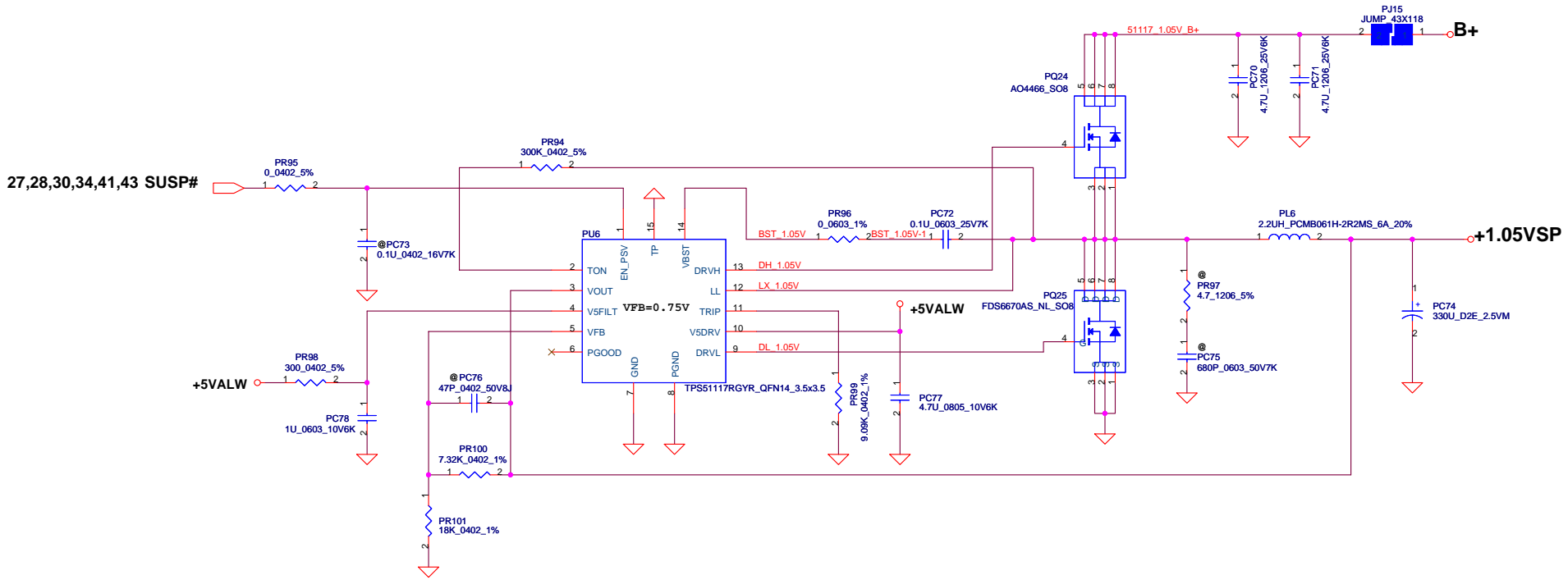


CC=0.2~3.52A
IREF=0.77448*Icharge
Iref=0.155~3.52A

Security Classification		Compal Secret Data	
Issued Date	2008/07/01	Deciphered Date	2009/12/31

THIS SHEET OF ENGINEERING DRAWING IS THE PROPRIETARY PROPERTY OF COMPAL ELECTRONICS, INC. AND CONTAINS CONFIDENTIAL AND TRADE SECRET INFORMATION. THIS SHEET MAY NOT BE TRANSFERRED FROM THE CUSTODY OF THE COMPETENT DIVISION OF R&D DEPARTMENT EXCEPT AS AUTHORIZED BY COMPAL ELECTRONICS, INC. NEITHER THIS SHEET NOR THE INFORMATION IT CONTAINS MAY BE USED BY OR DISCLOSED TO ANY THIRD PARTY WITHOUT PRIOR WRITTEN CONSENT OF COMPAL ELECTRONICS, INC.

Compal Electronics, Inc.			
SCHEMATIC MB A4681			
Size	Document Number	Rev D	
Custom	401627		
Date:	Thursday, January 15, 2009	Sheet	38 of 48

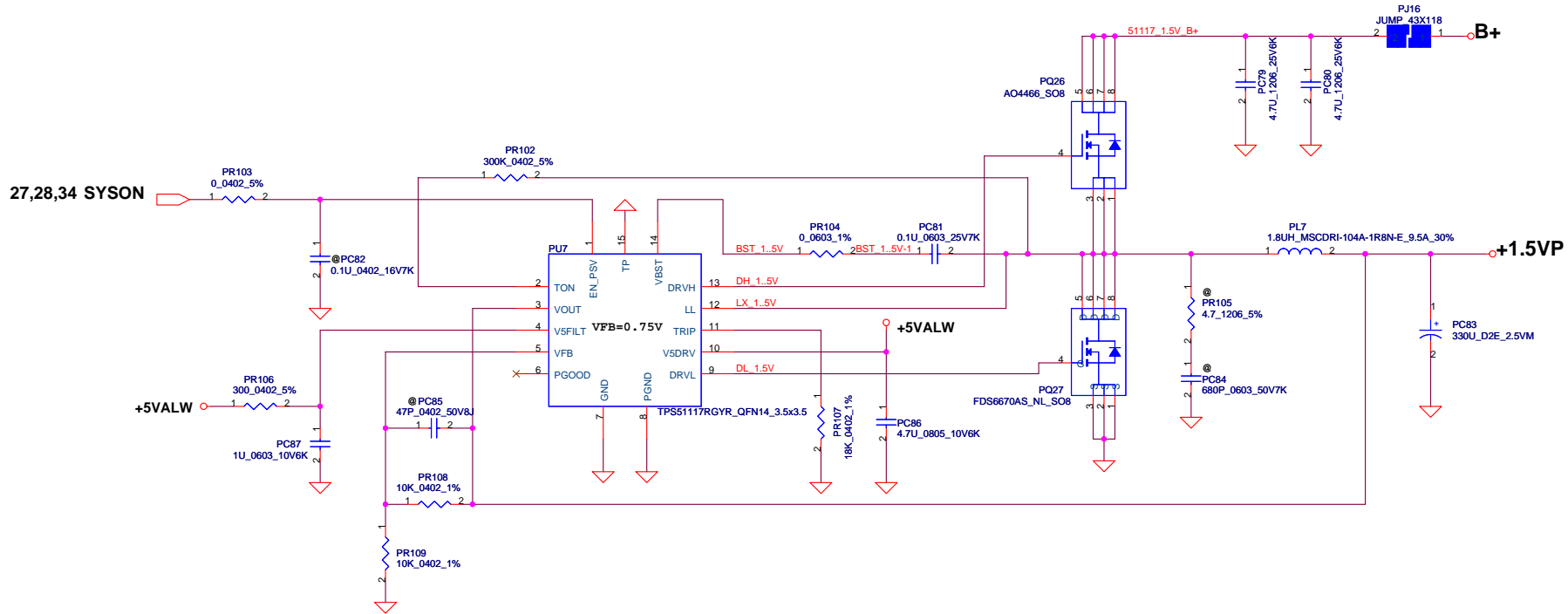


VFB=0.75V
 $V_o = VFB * (1 + PR100 / PR101) = 1.055V$
 $F_{sw} = 262KHz$

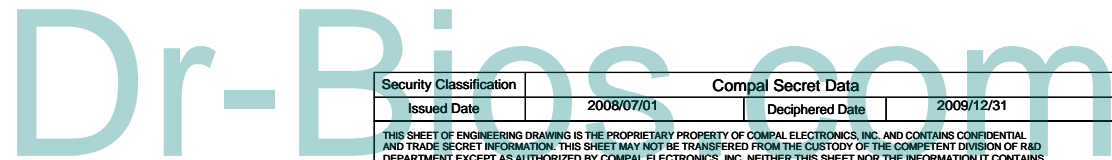
Cout ESR=15m ohm
 $R_{dsonmax} = 11.5m \text{ ohm}$, $R_{dson typ} = 9m \text{ ohm}$
 $I_{peak} = 7.15A$, $I_{max} = 3.5A$
 $\Delta I = ((19 - 1.05) * (1.05 / 19)) / (L * F_{sw}) = 2.103A$
 $\Rightarrow 1/2 \Delta I = 1.052A$
 $V_{trip} = R_{trip} * I_{0uA} = 9.09K * 10uA = 0.0909V$
 $I_{ocpmin} = V_{trip} / R_{dsonmax} * 1.3 + 1.052A = 7.132A$
 $I_{ocpmax} = V_{trip} / R_{dson typ} * 1.1 + 1.052A = 10.233A$
 $I_{ocp} = 7.132A - 10.233A$

Dr-Bios.com

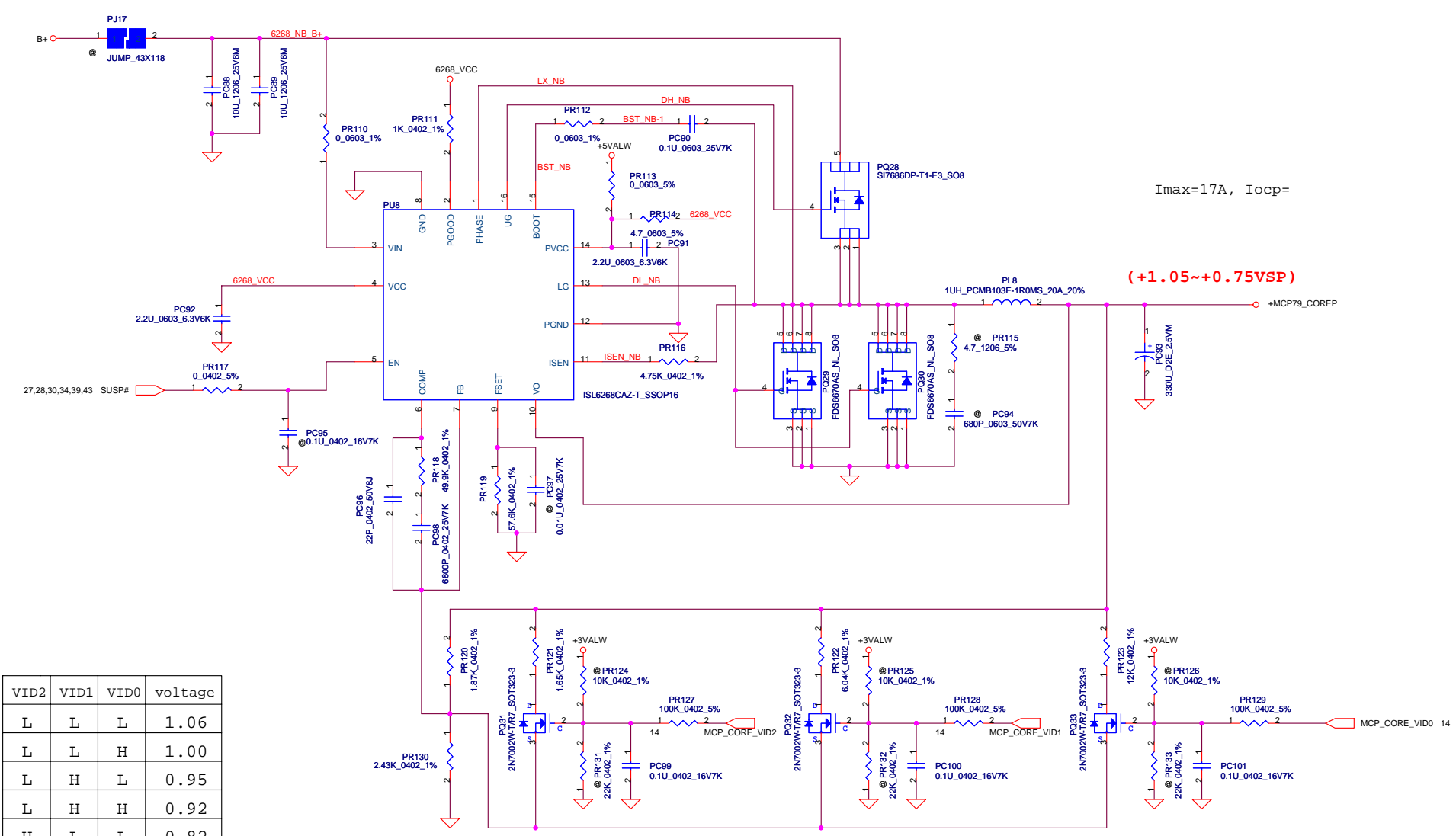
Security Classification		Compal Secret Data		Compal Electronics, Inc.	
Issued Date	2008/07/01	Deciphered Date	2009/12/31	Title	
THIS SHEET OF ENGINEERING DRAWING IS THE PROPRIETARY PROPERTY OF COMPAL ELECTRONICS, INC. AND CONTAINS CONFIDENTIAL AND TRADE SECRET INFORMATION. THIS SHEET MAY NOT BE TRANSFERRED FROM THE CUSTODY OF THE COMPETENT DIVISION OF R&D DEPARTMENT EXCEPT AS AUTHORIZED BY COMPAL ELECTRONICS, INC. NEITHER THIS SHEET NOR THE INFORMATION IT CONTAINS MAY BE USED BY OR DISCLOSED TO ANY THIRD PARTY WITHOUT PRIOR WRITTEN CONSENT OF COMPAL ELECTRONICS, INC.				SCHEMATIC MB A4681	
Size	Document Number	Rev		D	
Custom	401627				
Date:	Thursday, January 15, 2009	Sheet	39	of 48	



$V_{FB}=0.75V$
 $V_o=V_{FB} \cdot (1 + \frac{PR108}{PR109}) = 1.5V$
 $F_{sw}=262KHz$
 $C_{out} ESR=15m \text{ ohm}$
 $R_{dsonmax}=11.5m \text{ ohm}, R_{dson\text{typ}}=9m \text{ ohm}$
 $I_{peak}=13.67A, I_{max}=8A$
 $\Delta I = ((19-1.5) \cdot (1.5/19)) / (L \cdot F_{sw}) = 2.930A$
 $\Rightarrow 1/2 \Delta I = 1.465A$
 $V_{trip} = R_{trip} \cdot I_{peak} = 18K \cdot 10uA = 0.180V$
 $I_{ocpmin} = V_{trip} / R_{dsonmax} \cdot 1.4 + 1.465A = 12.645A$
 $I_{ocpmax} = V_{trip} / R_{dson\text{typ}} \cdot 1.2 + 1.465A = 18.131A$
 $I_{ocp} = 12.645A - 18.131A$



Security Classification		Compal Secret Data		Compal Electronics, Inc.	
Issued Date	2008/07/01	Deciphered Date	2009/12/31	Title	
THIS SHEET OF ENGINEERING DRAWING IS THE PROPRIETARY PROPERTY OF COMPAL ELECTRONICS, INC. AND CONTAINS CONFIDENTIAL AND TRADE SECRET INFORMATION. THIS SHEET MAY NOT BE TRANSFERRED FROM THE CUSTODY OF THE COMPETENT DIVISION OF R&D DEPARTMENT EXCEPT AS AUTHORIZED BY COMPAL ELECTRONICS, INC. NEITHER THIS SHEET NOR THE INFORMATION IT CONTAINS MAY BE USED BY OR DISCLOSED TO ANY THIRD PARTY WITHOUT PRIOR WRITTEN CONSENT OF COMPAL ELECTRONICS, INC.				SCHEMATIC MB A4681	
Size	Document Number	401627		Rev	D
Date:	Thursday, January 15, 2009	Sheet	40	of	48

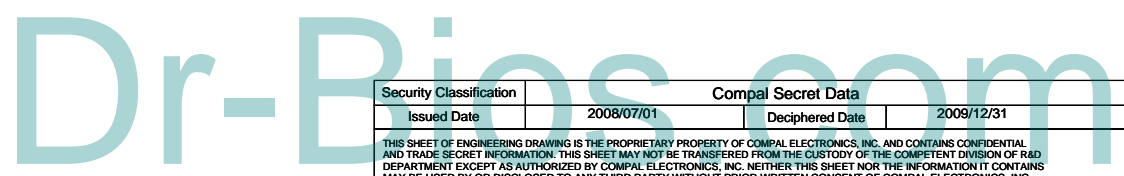


I_{max}=17A, I_{ocp}=

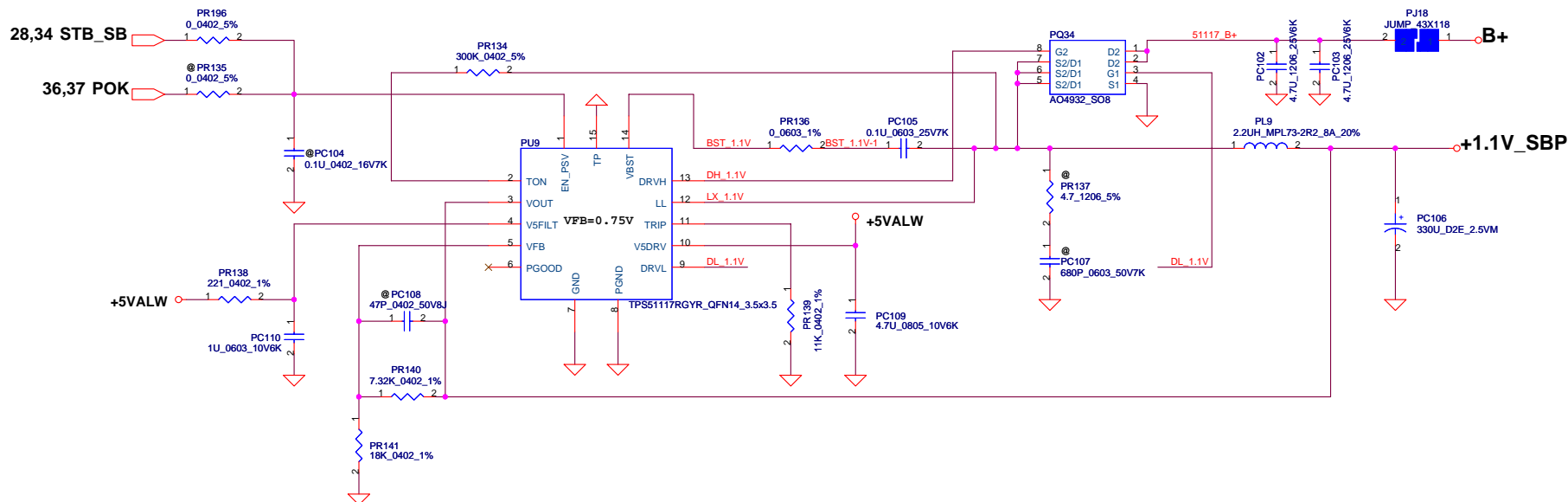
(+1.05~+0.75VSP)

VID2	VID1	VID0	voltage
L	L	L	1.06
L	L	H	1.00
L	H	L	0.95
L	H	H	0.92
H	L	L	0.82
H	L	H	0.80
H	H	L	0.78
H	H	H	0.77

for layout convenience,
do not change net name

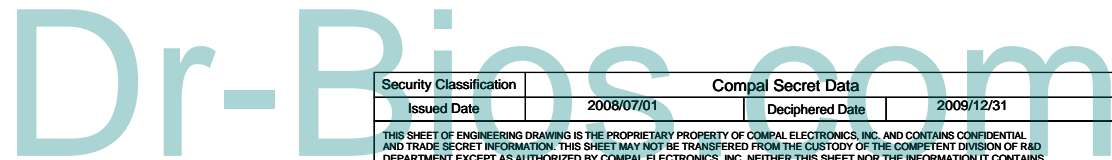


Security Classification		Compal Secret Data		Compal Electronics, Inc.	
Issued Date	2008/07/01	Deciphered Date	2009/12/31	Title	SCHMATIC MB A4681
THIS SHEET OF ENGINEERING DRAWING IS THE PROPRIETARY PROPERTY OF COMPAL ELECTRONICS, INC. AND CONTAINS CONFIDENTIAL AND TRADE SECRET INFORMATION. THIS SHEET MAY NOT BE TRANSFERRED FROM THE CUSTODY OF THE COMPETENT DIVISION OF R&D DEPARTMENT EXCEPT AS AUTHORIZED BY COMPAL ELECTRONICS, INC. NEITHER THIS SHEET NOR THE INFORMATION IT CONTAINS MAY BE USED BY OR DISCLOSED TO ANY THIRD PARTY WITHOUT PRIOR WRITTEN CONSENT OF COMPAL ELECTRONICS, INC.					
Size	Document Number	Rev		D	
Custom	401627				
Date:	Thursday, January 15, 2009	Sheet	41	of	48

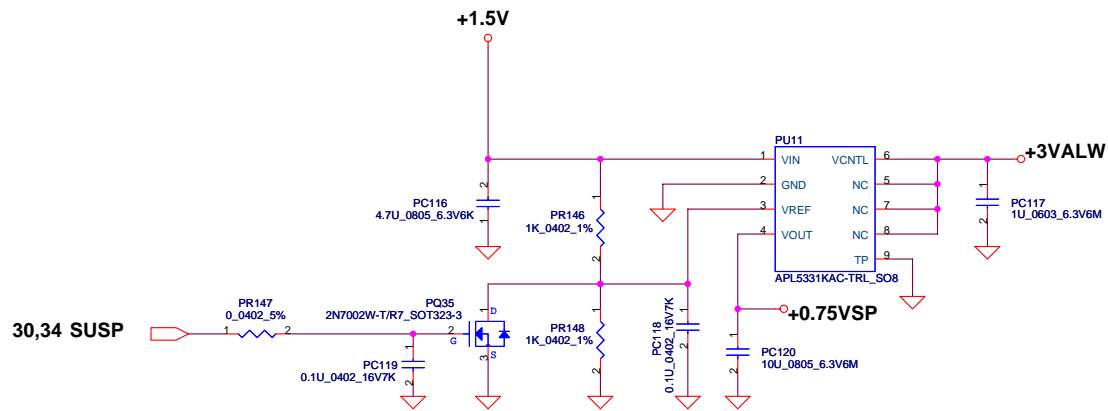
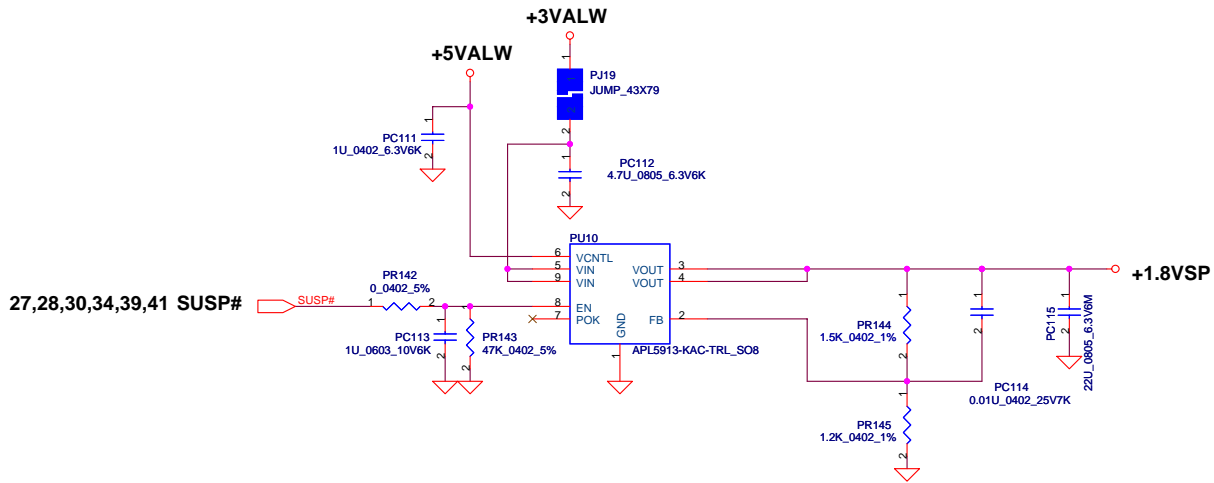


VFB=0.75V
 $V_o = VFB * (1 + PR140 / PR141) = 1.101V$
 $F_{sw} = 262KHz$

$C_{out} ESR = 15m\ ohm$
 $R_{dsonmax} = 27m\ ohm, R_{dson typ} = 21m\ ohm$
 $I_{peak} = 3.3A, I_{max} = 2.31A, I_{ocp} = 3.96A$
 $\Delta I = ((19 - 1.1) * (1.1 / 19)) / (L * F_{sw}) = 1.798A$
 $\Rightarrow 1/2 \Delta I = 0.899A$
 $V_{trip} = R_{trip} * I_{ocp} = 11K * 10uA = 0.11V$
 $I_{ocpmin} = V_{trip} / R_{dsonmax} * 1.3 + 0.899A = 4.033A$
 $I_{ocpmax} = V_{trip} / R_{dson typ} * 1.1 + 0.899A = 5.661A$
 $I_{ocp} = 4.033A - 5.661A$

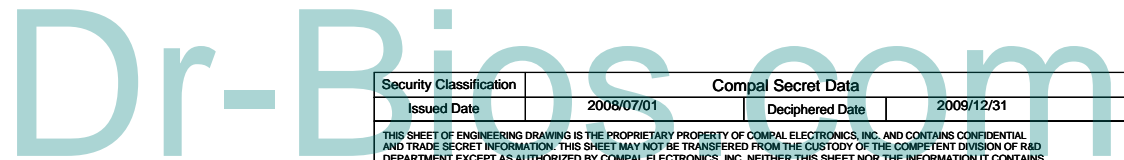
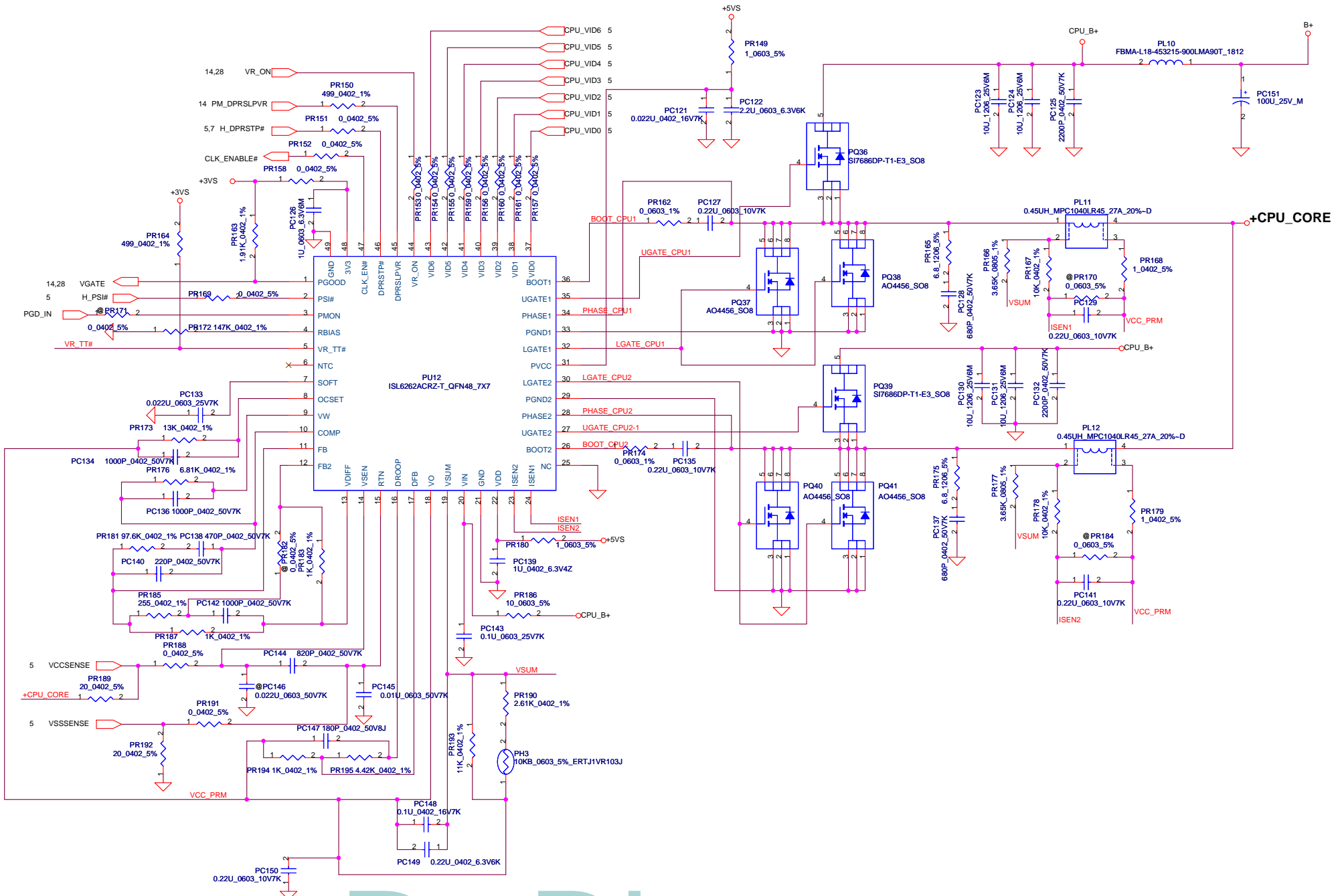


Security Classification		Compal Secret Data		Compal Electronics, Inc.	
Issued Date	2008/07/01	Deciphered Date	2009/12/31	Title	
THIS SHEET OF ENGINEERING DRAWING IS THE PROPRIETARY PROPERTY OF COMPAL ELECTRONICS, INC. AND CONTAINS CONFIDENTIAL AND TRADE SECRET INFORMATION. THIS SHEET MAY NOT BE TRANSFERRED FROM THE CUSTODY OF THE COMPETENT DIVISION OF R&D DEPARTMENT EXCEPT AS AUTHORIZED BY COMPAL ELECTRONICS, INC. NEITHER THIS SHEET NOR THE INFORMATION IT CONTAINS MAY BE USED BY OR DISCLOSED TO ANY THIRD PARTY WITHOUT PRIOR WRITTEN CONSENT OF COMPAL ELECTRONICS, INC.				SCHEMATIC MB A4681	
Size	Custom	Document Number	401627	Rev	D
Date:	Thursday, January 15, 2009	Sheet	42	of	48



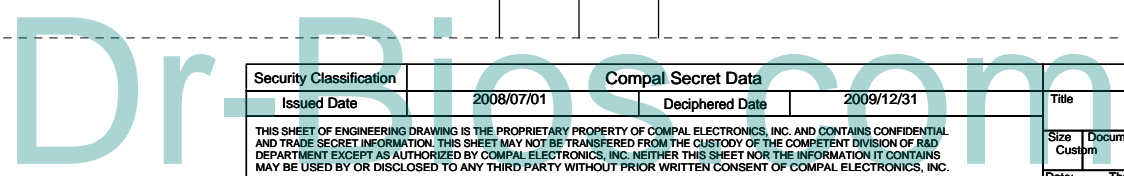
Dr-Bios.com

Security Classification	Compal Secret Data		Compal Electronics, Inc.	
Issued Date	2008/07/01	Deciphered Date	2009/12/31	Title
THIS SHEET OF ENGINEERING DRAWING IS THE PROPRIETARY PROPERTY OF COMPAL ELECTRONICS, INC. AND CONTAINS CONFIDENTIAL AND TRADE SECRET INFORMATION. THIS SHEET MAY NOT BE TRANSFERRED FROM THE CUSTODY OF THE COMPETENT DIVISION OF R&D DEPARTMENT EXCEPT AS AUTHORIZED BY COMPAL ELECTRONICS, INC. NEITHER THIS SHEET NOR THE INFORMATION IT CONTAINS MAY BE USED BY OR DISCLOSED TO ANY THIRD PARTY WITHOUT PRIOR WRITTEN CONSENT OF COMPAL ELECTRONICS, INC.				SCHEMATIC MB A4681
Size	Document Number	Rev	D	
Custom	401627			
Date:	Thursday, January 15, 2009	Sheet	43	of 48



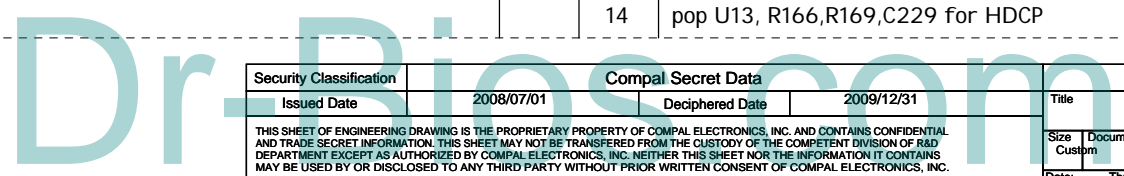
Security Classification		Compal Secret Data		Title	
Issued Date	2008/07/01	Deciphered Date	2009/12/31	SCHEMATIC MB A4681	
THIS SHEET OF ENGINEERING DRAWING IS THE PROPRIETARY PROPERTY OF COMPAL ELECTRONICS, INC. AND CONTAINS CONFIDENTIAL AND TRADE SECRET INFORMATION. THIS SHEET MAY NOT BE TRANSFERRED FROM THE CUSTODY OF THE COMPETENT DIVISION OF R&D DEPARTMENT EXCEPT AS AUTHORIZED BY COMPAL ELECTRONICS, INC. NEITHER THIS SHEET NOR THE INFORMATION IT CONTAINS MAY BE USED BY OR DISCLOSED TO ANY THIRD PARTY WITHOUT PRIOR WRITTEN CONSENT OF COMPAL ELECTRONICS, INC.				Size	Rev
Document Number	401627		Sheet	44	of 48
Date:	Thursday, January 15, 2009		Sheet	44	of 48

Item	Fixed Issue	Reason for change	Rev.	PG#	Modify List	Date	Phase
1	Add PC152	Add PC152 for BQ24751 OVP issue	0.2	38	Add PC152	09/24	DVT
2	Change PQ25 to FDS6670	Change PQ25 to FDS6670 for efficiency	0.2	39	Change PQ25 to FDS6670	09/24	DVT
3	Change PR107 to 18K	Change PR107 to 18K for OCP setting	0.2	40	Change PR107 to 18K	09/24	DVT
4	Change PL7 to 1.8UH	Change PL7 to 1.8UH for OCP setting	0.2	40	Change PL7 to 1.8UH	09/24	DVT
5	Change PQ31,32,33 P/N	Change PQ31,32,33 P/N for 2nd source	0.2	41	Change PQ31,32,33 P/N	09/24	DVT
6	Add STB_SB net for 1.1V-EN	Add STB_SB net for 1.1V-EN for HW debug	0.2	42	Add STB_SB net for 1.1V-EN	09/24	DVT
7	Change 0.75V EN to SUSP	Change 0.75V EN to SUSP	0.2	43	Change 0.75V EN to SUSP	09/24	DVT
8	Change PR99 to 9.09K	Change PR99 to 9.09K for OCP setting	0.2	39	Change PR99 to 9.09K	09/24	DVT
9	Change PR116 to 4.75K	Change PR116 to 4.75K for OCP setting	0.2	41	Change PR116 to 4.75K	09/24	DVT
10	Change PR140 and PR141	modify +1.1VALWP voltage to 1.05V	0.2	42	Change PR140 and PR141	09/24	DVT
11	Change PC65	Prevent power noise for ADPI signal	0.3	38	Change PC65 value to 0.1U	12/01	Pre-MP
12	Change VDC voltage	Modify for DVC function	0.4	41	Change PR120 value to 1.87K	12/22	MP
13	Change VDC voltage	Modify for DVC function	0.4	41	Change PR130 value to 2.43K	12/22	MP
14	Change VDC voltage	Modify for DVC function	0.4	41	Change PR121 value to 1.65K	12/22	MP
15	Change VDC voltage	Modify for DVC function	0.4	41	Change PR122 value to 6.04K	12/22	MP
16	Change VDC voltage	Modify for DVC function	0.4	41	Change PR123 value to 12K	12/22	MP
17							
18							
19							
20							
21							
22							
23							



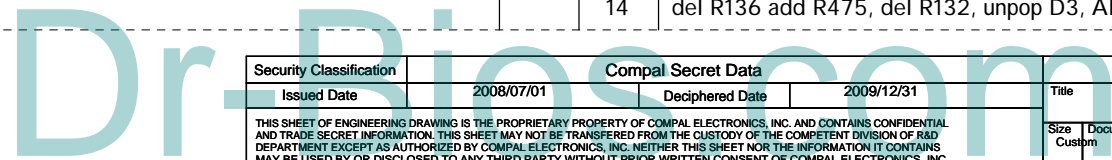
Security Classification		Compal Secret Data		Compal Electronics, Inc.	
Issued Date	2008/07/01	Deciphered Date	2009/12/31	Title	SCHMATIC MB A4681
THIS SHEET OF ENGINEERING DRAWING IS THE PROPRIETARY PROPERTY OF COMPAL ELECTRONICS, INC. AND CONTAINS CONFIDENTIAL AND TRADE SECRET INFORMATION. THIS SHEET MAY NOT BE TRANSFERRED FROM THE CUSTODY OF THE COMPETENT DIVISION OF R&D DEPARTMENT EXCEPT AS AUTHORIZED BY COMPAL ELECTRONICS, INC. NEITHER THIS SHEET NOR THE INFORMATION IT CONTAINS MAY BE USED BY OR DISCLOSED TO ANY THIRD PARTY WITHOUT PRIOR WRITTEN CONSENT OF COMPAL ELECTRONICS, INC.				Size Custom	Document Number 401627
				Date:	Thursday, January 15, 2009
				Sheet	45 of 48

Item	Fixed Issue	Reason for change	Rev.	PG#	Modify List	Date	Phase
1		MEMO		20	add Q6 Q8	9/15	0.1
2		MEMO		32	change R416, R418, R420, R421 to 75 ohm	9/15	0.1
3		MEMO		06	del C368	9/15	0.1
4		MEMO		06	add C483	9/15	0.1
5				11	change R137.1 to +3V_SB	9/15	0.2
6				25	swap JRJ45.11 and JRJ45.12	9/15	0.2
7				21	swap JHDMI.1 and JHDMI.3	9/15	0.2
8				26	add 80 port signal to Jmini2	9/15	0.2
9				34	R92 change from 0805 to 0603	9/15	0.2
10				21	change D12 p/n	9/15	0.2
11				14	pop D13	9/15	0.2
12				11	enbkl add pull low resistor	9/15	0.2
13				26	R211.1 change form +3Valw to +3V_SB	9/15	0.2
14				14	add pull low resistor R461 on ec_rsmrst# signal	9/15	0.2
15				29	change LED behavior for I D spec	9/15	0.2
16				23	change U14 JMB380 to JMB385	9/15	0.2
17				27	add JUSB2 port	9/15	0.2
18				28	add R462,R463 KSO1 / KSO2 pull high 47k	9/15	0.2
19				19	LVDS, del U29, pop Q37,R299,C443	9/15	0.2
20				33	fan controller, change U9 to APL5607 , R85 to 0 ohm, del D9,D10	10/9	0.2
21				32	del amplifire LDO, change R413,R411 o 56 ohm	10/9	0.2
22				29	pop D1,D8,D21,D22 for ESD	10/9	0.2
23				14	pop U13, R166,R169,C229 for HDCP	10/9	0.2



Security Classification		Compal Secret Data		Compal Electronics, Inc.	
Issued Date	2008/07/01	Deciphered Date	2009/12/31	Title	SCHMATIC MB A4681
THIS SHEET OF ENGINEERING DRAWING IS THE PROPRIETARY PROPERTY OF COMPAL ELECTRONICS, INC. AND CONTAINS CONFIDENTIAL AND TRADE SECRET INFORMATION. THIS SHEET MAY NOT BE TRANSFERRED FROM THE CUSTODY OF THE COMPETENT DIVISION OF R&D DEPARTMENT EXCEPT AS AUTHORIZED BY COMPAL ELECTRONICS, INC. NEITHER THIS SHEET NOR THE INFORMATION IT CONTAINS MAY BE USED BY OR DISCLOSED TO ANY THIRD PARTY WITHOUT PRIOR WRITTEN CONSENT OF COMPAL ELECTRONICS, INC.				Size Custom	Document Number 401627
				Date:	Thursday, January 15, 2009
				Sheet	46 of 48

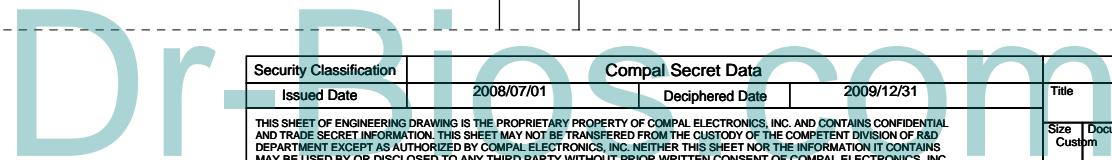
Item	Fixed Issue	Reason for change	Rev.	PG#	Modify List	Date	Phase
1				20	add C44,C35,C21, change C43,C34,C20 to 18p	9/15	0.2
2				23	change D17 p/n	10/9	0.2
3				32	change L33,L34 p/n	10/9	0.2
4				31	change R11,R12,R13,R276 p/n	10/9	0.2
5				21	change F2 p/n	10/9	0.2
6				7	reserve BSEL pull low resistor R470,R471,R472	10/9	0.2
7				14	change SMBus pull high value,R73,R96,R93,R94 to 2.2k	10/9	0.2
8				15	del C319	10/9	0.2
9				33	del U19,U28,R221,R289,C323,C431,R223,R285	10/9	0.2
10				21	change HDMI R119,R142,R118,R140 pull high to 2.7k	10/9	0.2
11				19	change R294 to 100k	10/9	0.2
12				29	del LED(10,11,12,15,17,18) , add LED(19,20,21,22,23,24)		0.2
13				34	pop R231,Q22,R16,Q4		0.2
14				28	pop R133, change R132 to 8.2k		0.2
15				29	change LED9 p/n	MEMO	0.2
16				24	change Q9 p/n	11/6	0.3
17				23	del R451, Q18, D17	11/6	0.3
18				25	reserve R473, R474	11/6	0.3
19				29	del LED11,17,20,23 ,pop LED14,LED16.R447,R465	11/6	0.3
20				31	pop D3	11/6	0.3
21				22	unpop C455,C456	11/6	0.3
22				14	change R73,R96 to 1.8k	11/6	0.3
23				14	del R136 add R475, del R132, unpop D3, All LED resisotr	11/25	1.0



Security Classification		Compal Secret Data		Compal Electronics, Inc.	
Issued Date	2008/07/01	Deciphered Date	2009/12/31	Title	SCHMATIC MB A4681
THIS SHEET OF ENGINEERING DRAWING IS THE PROPRIETARY PROPERTY OF COMPAL ELECTRONICS, INC. AND CONTAINS CONFIDENTIAL AND TRADE SECRET INFORMATION. THIS SHEET MAY NOT BE TRANSFERRED FROM THE CUSTODY OF THE COMPETENT DIVISION OF R&D DEPARTMENT EXCEPT AS AUTHORIZED BY COMPAL ELECTRONICS, INC. NEITHER THIS SHEET NOR THE INFORMATION IT CONTAINS MAY BE USED BY OR DISCLOSED TO ANY THIRD PARTY WITHOUT PRIOR WRITTEN CONSENT OF COMPAL ELECTRONICS, INC.				Size Custom	Document Number 401627
				Date:	Thursday, January 15, 2009
				Sheet	47 of 48

Version change list (P.I.R. List)

Item	Fixed Issue	Reason for change	Rev.	PG#	Modify List	Date	Phase
1				23	1.change C309,C315 from 4.7u to 10u (p/n: SE053106Z80)	1/6	2.0
2					2.change C301 from 10u to 22u (p/n: SE000000110)		
3					3.change C244 from 270PF to 1UF (p/n: SE100105Z80)		
4					4.change C298 to 1000PF(SE074102K80)		
5					change C304 to 0.1uF(SE070104Z80)		
6				6	5.Add C326,C368,C365 330UF(SGA19331D10)		
7							
8							
9							
10							
11							
12							
13							
14							
15							
16							
17							
18							
19							
20							
21							
22							
23							



Security Classification		Compal Secret Data		Title		Compal Electronics, Inc.	
Issued Date	2008/07/01	Deciphered Date	2009/12/31	SCHEMATIC MB A4681		Rev	D
THIS SHEET OF ENGINEERING DRAWING IS THE PROPRIETARY PROPERTY OF COMPAL ELECTRONICS, INC. AND CONTAINS CONFIDENTIAL AND TRADE SECRET INFORMATION. THIS SHEET MAY NOT BE TRANSFERRED FROM THE CUSTODY OF THE COMPETENT DIVISION OF R&D DEPARTMENT EXCEPT AS AUTHORIZED BY COMPAL ELECTRONICS, INC. NEITHER THIS SHEET NOR THE INFORMATION IT CONTAINS MAY BE USED BY OR DISCLOSED TO ANY THIRD PARTY WITHOUT PRIOR WRITTEN CONSENT OF COMPAL ELECTRONICS, INC.				Size Custom	Document Number	401627	
				Date:	Thursday, January 15, 2009	Sheet	48 of 48