

8 7 6 5 4 3 2 1
 THIS DRAWING AND SPECIFICATIONS, HEREIN, ARE THE PROPERTY OF INVENTEC CORPORATION AND SHALL NOT BE REPRODUCED, COPIED, OR USED IN WHOLE OR IN PART AS THE BASIS FOR THE MANUFACTURE OR SALE OF ITEMS WITHOUT WRITTEN PERMISSION, INVENTEC CORPORATION, 2009 ALL RIGHT RESERVED.

HSF Property: ROHS or Halogen-Free(5L3?)

ALADDIN_DB

DB BUILD

2011.07.22

DATE	CHANGE NO.	REV
21 OCT 2002		

DRAWER	EE	DATE	POWER	DATE	INVENTEC			
					TITLE MODEL PROJECT FUNCTION			
					PROJECT NAME			
					SIZE	CODE	DOC NUMBER	REV
					5	01	1310xxxxx-0-0	001
FILE NAME		VER:			SIZE	CODE	DOC NUMBER	REV
PN		XXX			5	01	1310xxxxx-0-0	001
					SHEET			of 14

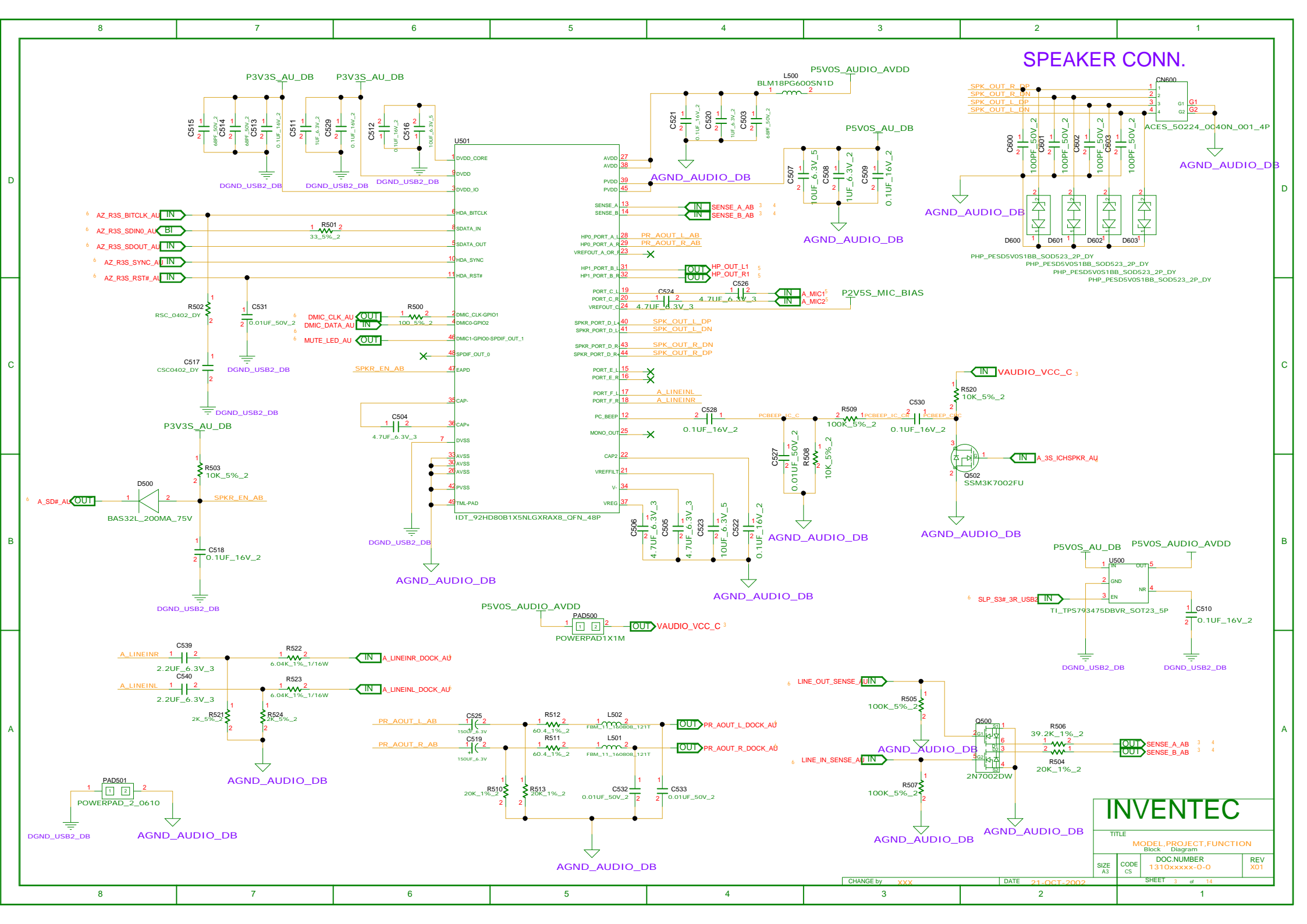
TABLE OF CONTENTS

1. PROJECT NAME
2. TABLE OF CONTENTS
3. AUDIO
4. AUDIO
5. AUDIO
6. AUDIO DB CNTR & USB CHARGER PORT
7. USB3 DB CNTR
8. LEDS IN USB3 DB
9. DISPLAY PORT
10. USB & ESATA COMBO
11. USB3 CNTR
12. CARD READER
13. SD/MMC & 1394
14. SCREW

INVENTEC

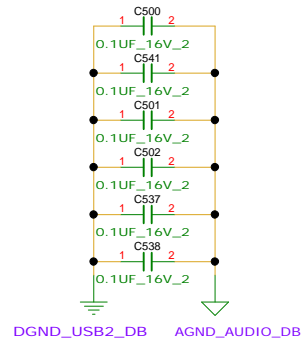
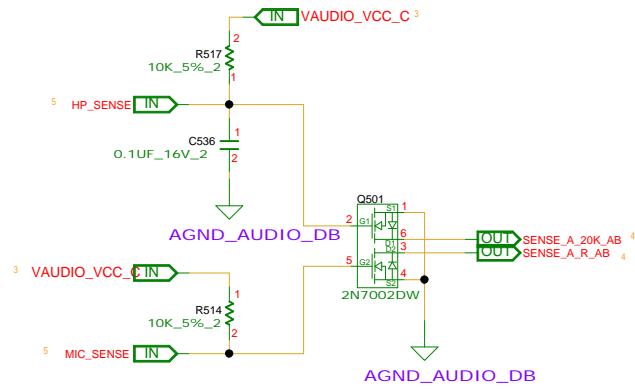
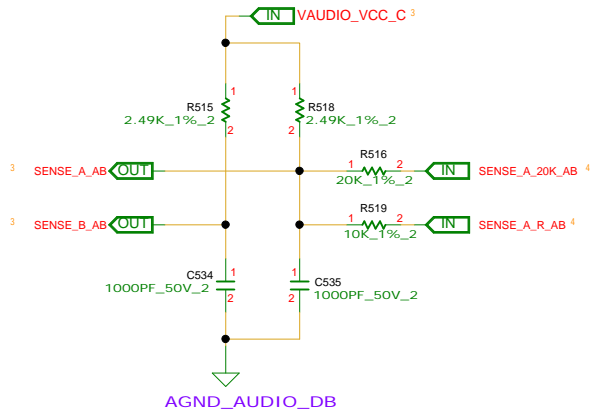
TITLE			
MODEL, PROJECT, FUNCTION			
TABLE OF CONTENTS			
SIZE	CODE	DOC. NUMBER	REV
A3	CS	1310xxxxx-0-0	X01

CHANGE by	XXX	DATE	16-MAR-2011	SHEET	2	of	95
-----------	-----	------	-------------	-------	---	----	----



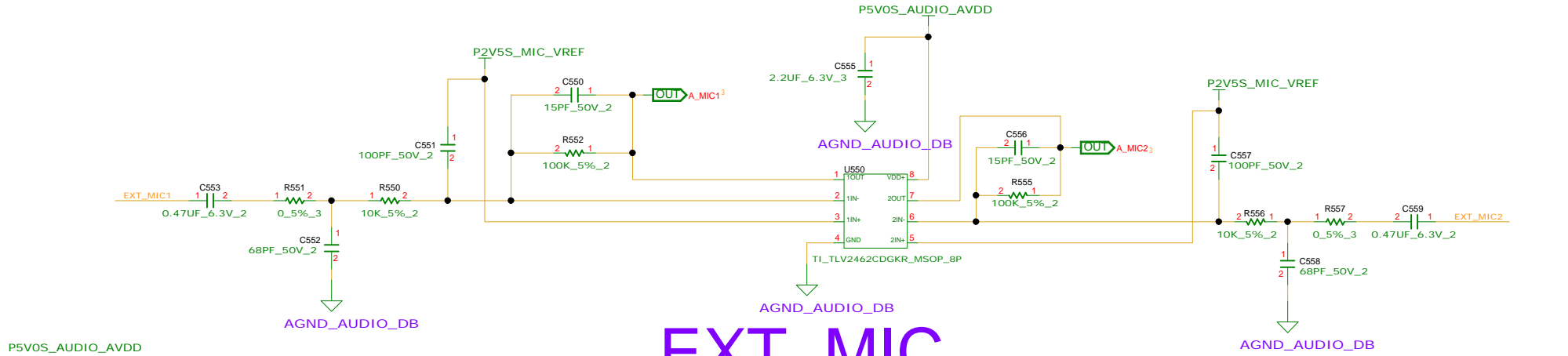
INVENTEC			
TITLE			
MODEL, PROJECT, FUNCTION			
Block Diagram			
SIZE A3		CODE CS	REV X01
DATE 21-OCT-2002		SHEET 3 of 14	

CHANGE by XXX DATE 21-OCT-2002

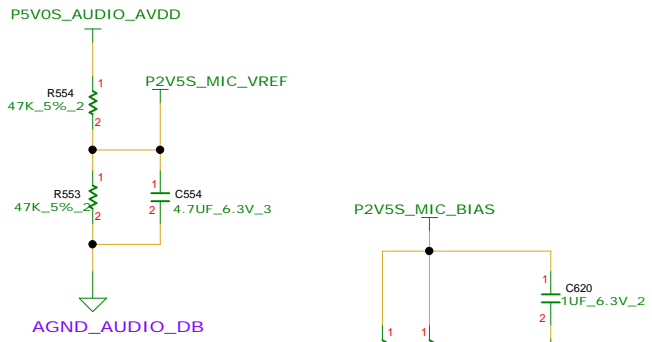


INVENTEC

TITLE			
MODEL, PROJECT, FUNCTION			
Block Diagram			
SIZE	CODE	DOC NUMBER	REV
A3	CS	1310xxxxx-0-0	X01

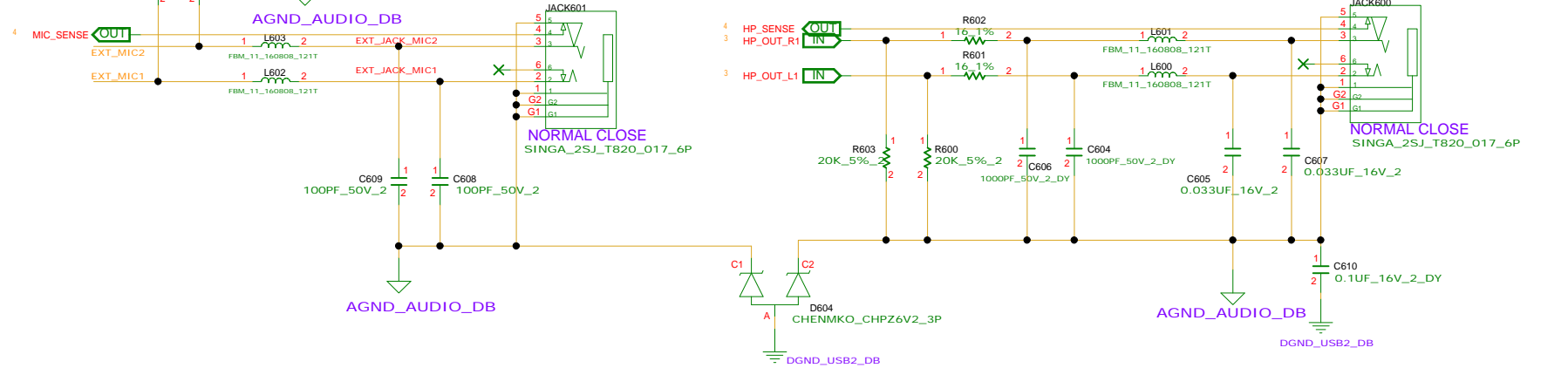


EXT. MIC



MIC JACK

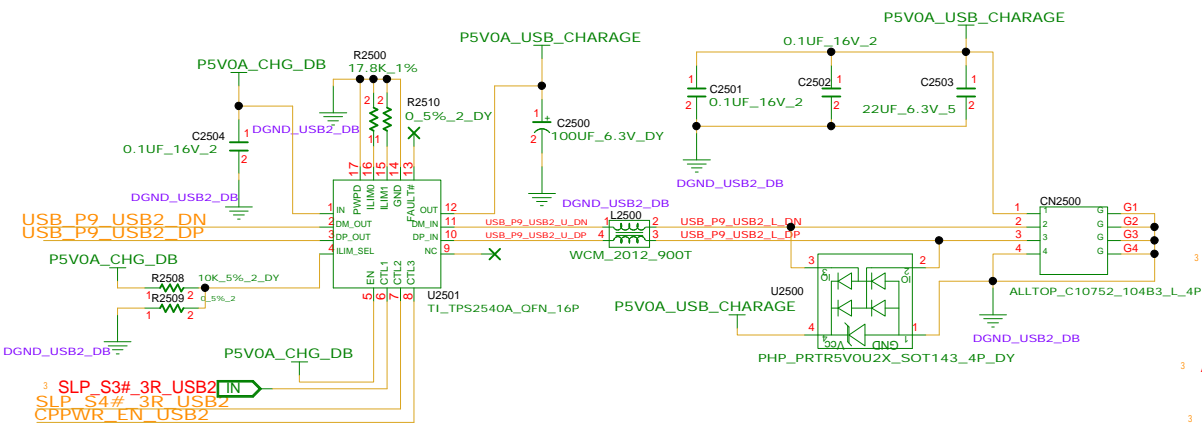
HEADPHONE JACK



AUDIO+USB2.0 BOARD

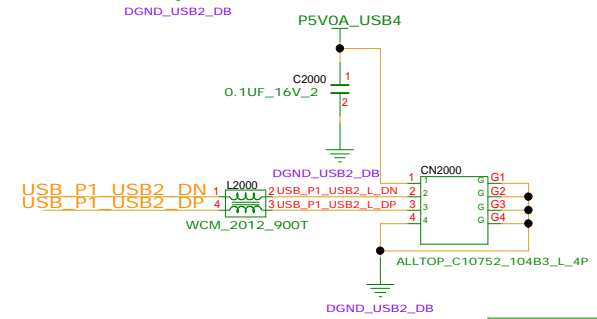
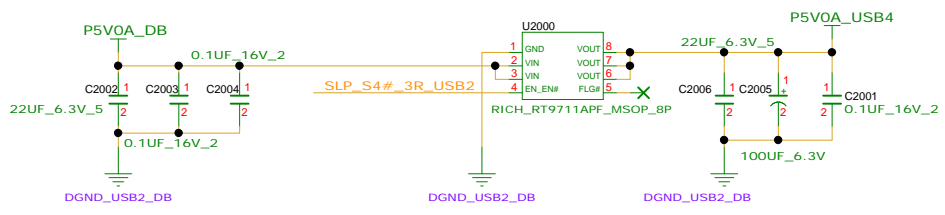
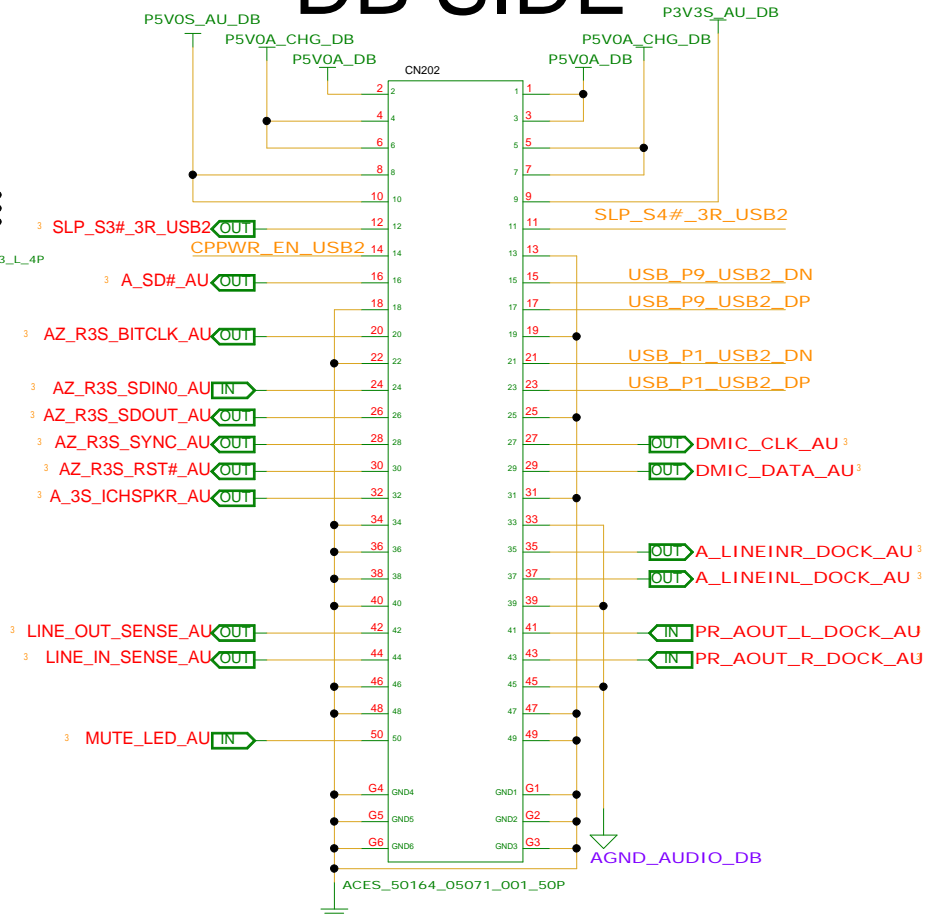
INVENTEC			
TITLE MODEL, PROJECT, FUNCTION Block Diagram			
SIZE A3		CODE CS	
DOC NUMBER 1310xxxxx-0-0		REV X01	
CHANGE by XXX		DATE 21-OCT-2002	
SHEET 5		of 14	

DB SIDE



USB CHARGER PORT

	R2500	R2510	R2508	R2509
TPS2543	TBD	TBD	10K	NI
TPS2540/A	17.8K	NI	NI	0



USB PORT

INVENTEC

TITLE: MODEL, PROJECT, FUNCTION
Block Diagram

DOC NUMBER: 1310xxxx-0-0

REV: X01

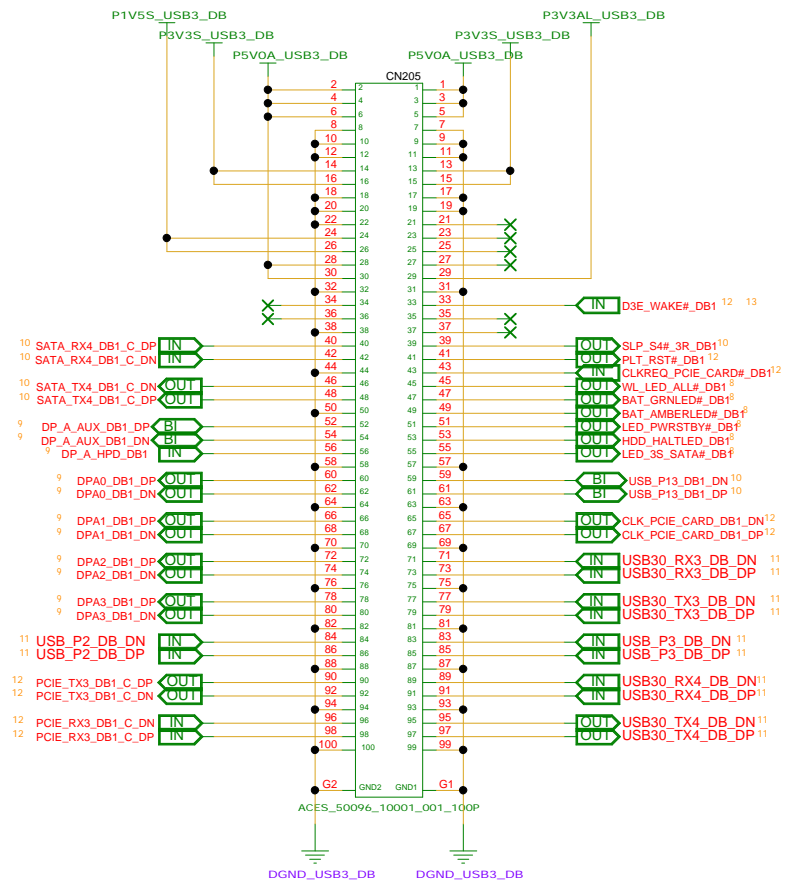
SIZE: A3

CODE: CS

CHANGE by: XXX

DATE: 21-OCT-2002

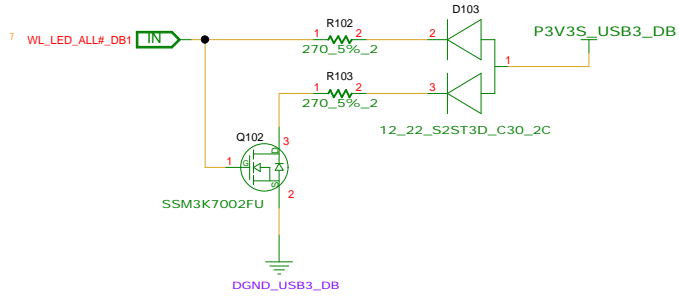
SHEET: 6 of 14



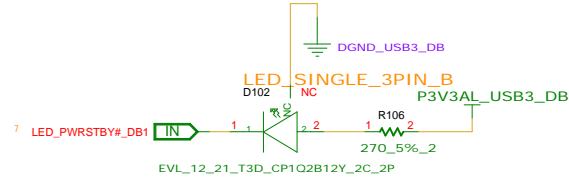
USB3 DB CNTR

INVENTEC			
TITLE Block Diagram			
MODEL, PROJECT, FUNCTION			
SIZE A3	CODE CS	DOC NUMBER 1310xxxx-0-0	REV X01
CHANGE by xxx		DATE 21-OCT-2002	SHEET 7 of 14

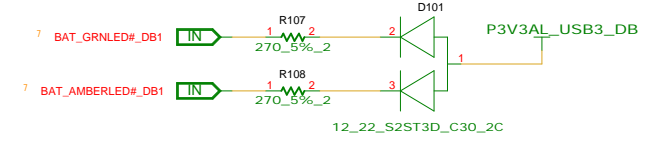
WIRELESS LED



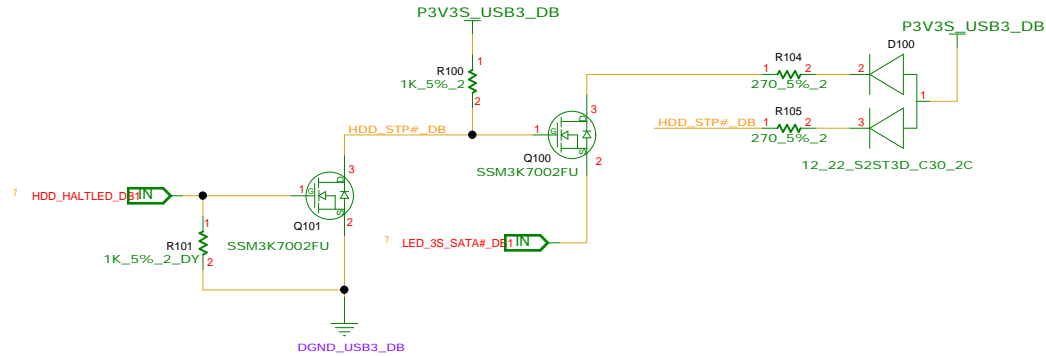
POWER LED



BATTERY LED

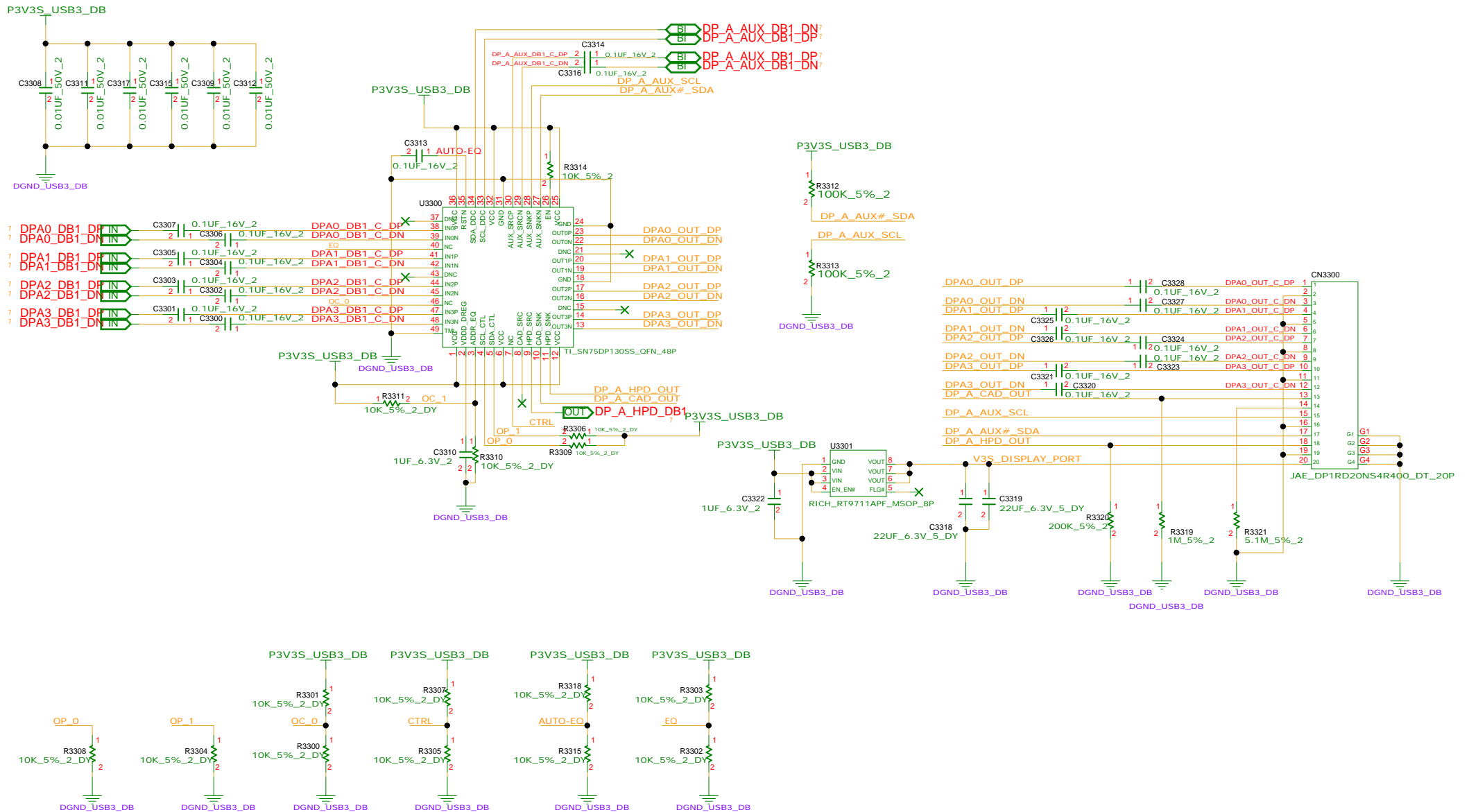


SATA LED & HDD-HALTED LED



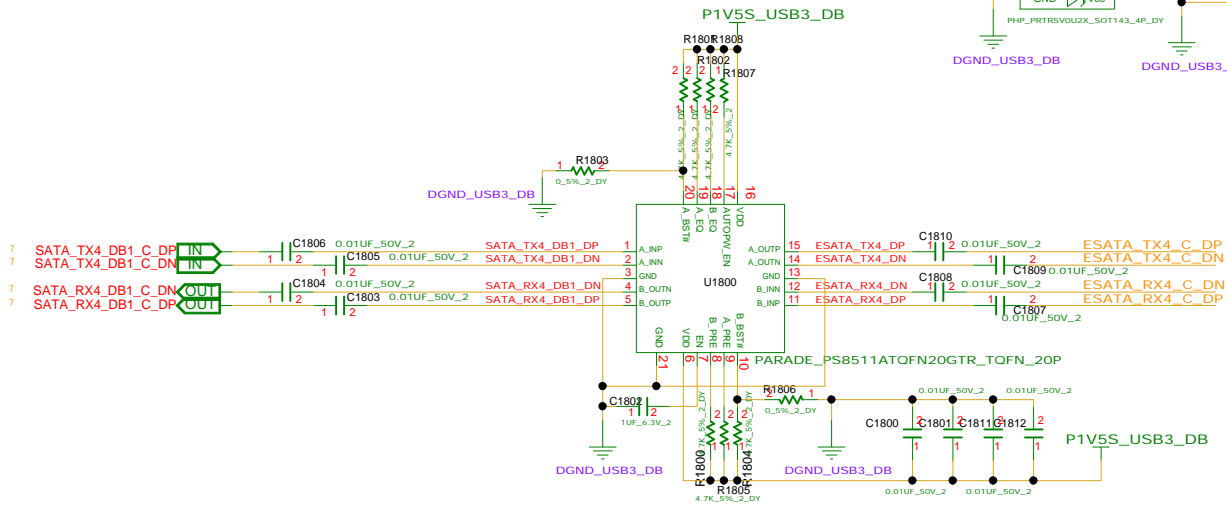
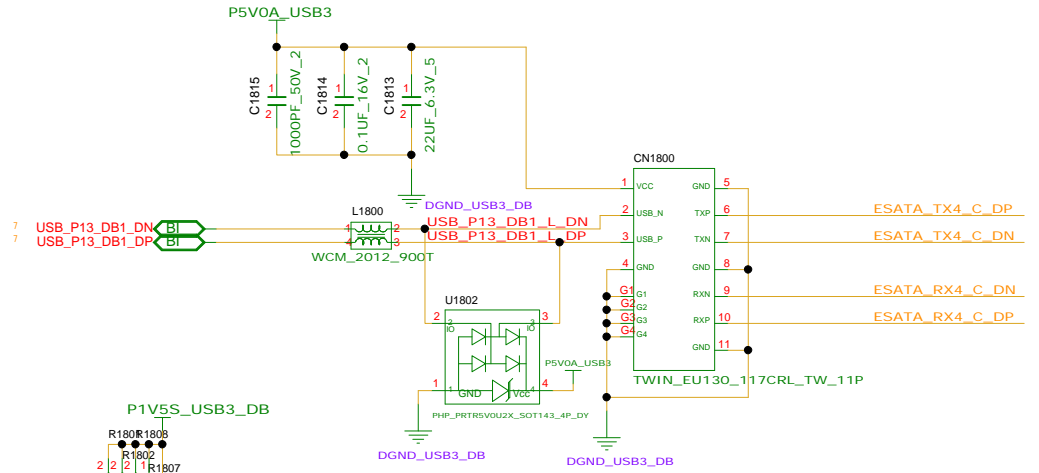
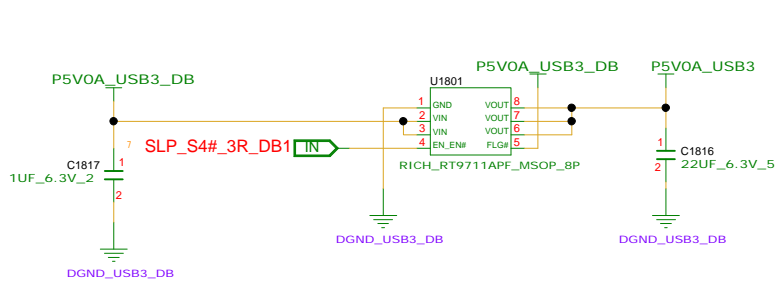
INVENTEC

TITLE			
MODEL, PROJECT, FUNCTION			
Block Diagram			
SIZE	CODE	DOC NUMBER	REV
A3	CS	1310xxxx-0-0	X01
CHANGE by		DATE	SHEET
XXX		21-OCT-2002	8 of 14



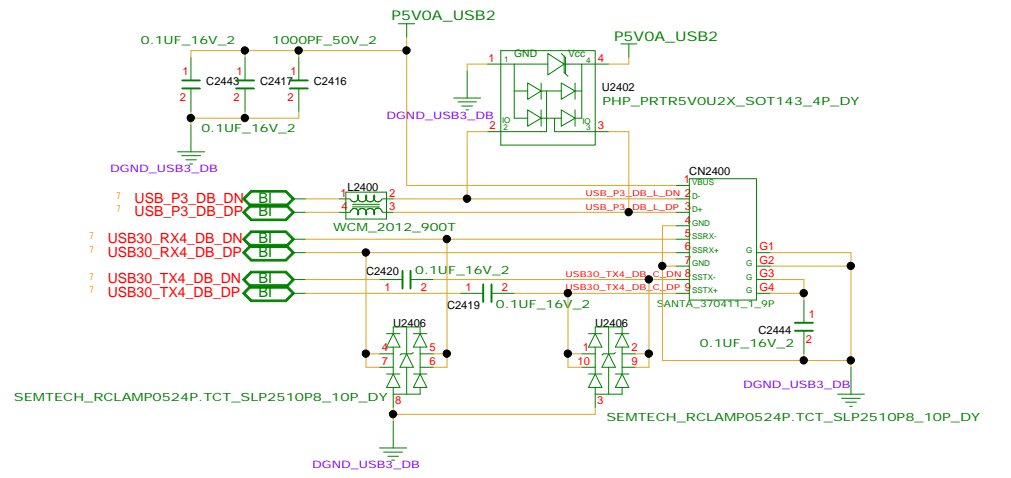
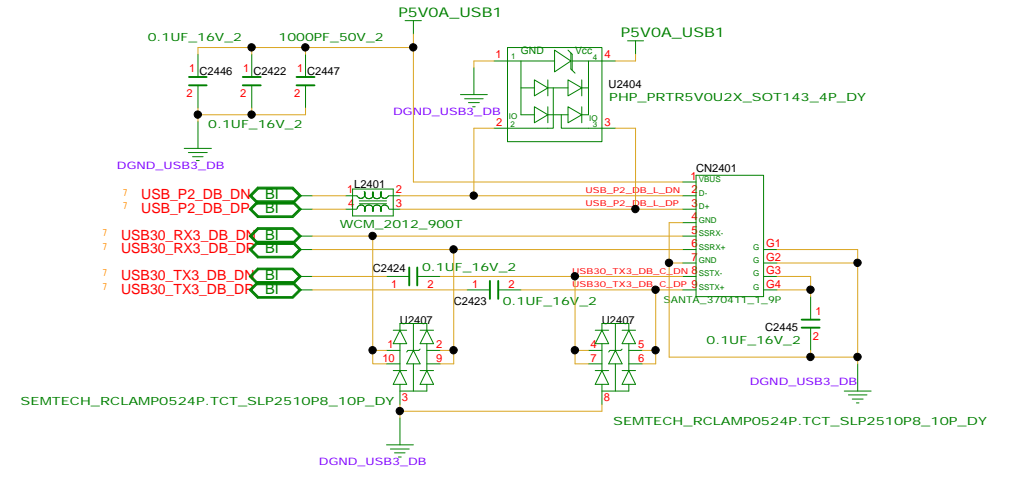
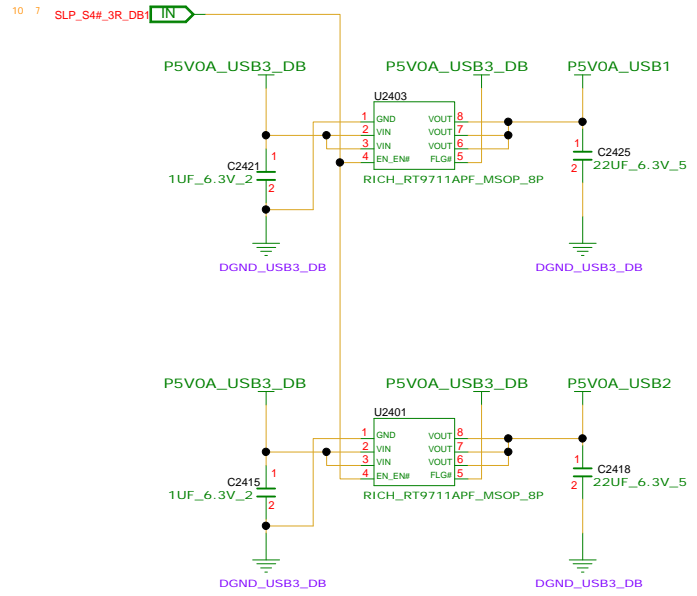
DISPLAY PORT

INVENTEC			
TITLE Block Diagram			
MODEL, PROJECT, FUNCTION			
SIZE A3		CODE CS	
DOC. NUMBER 1310xxxxx-0-0		REV X01	
CHANGE by XXX		DATE 21-OCT-2002	
SHEET 9		of 14	

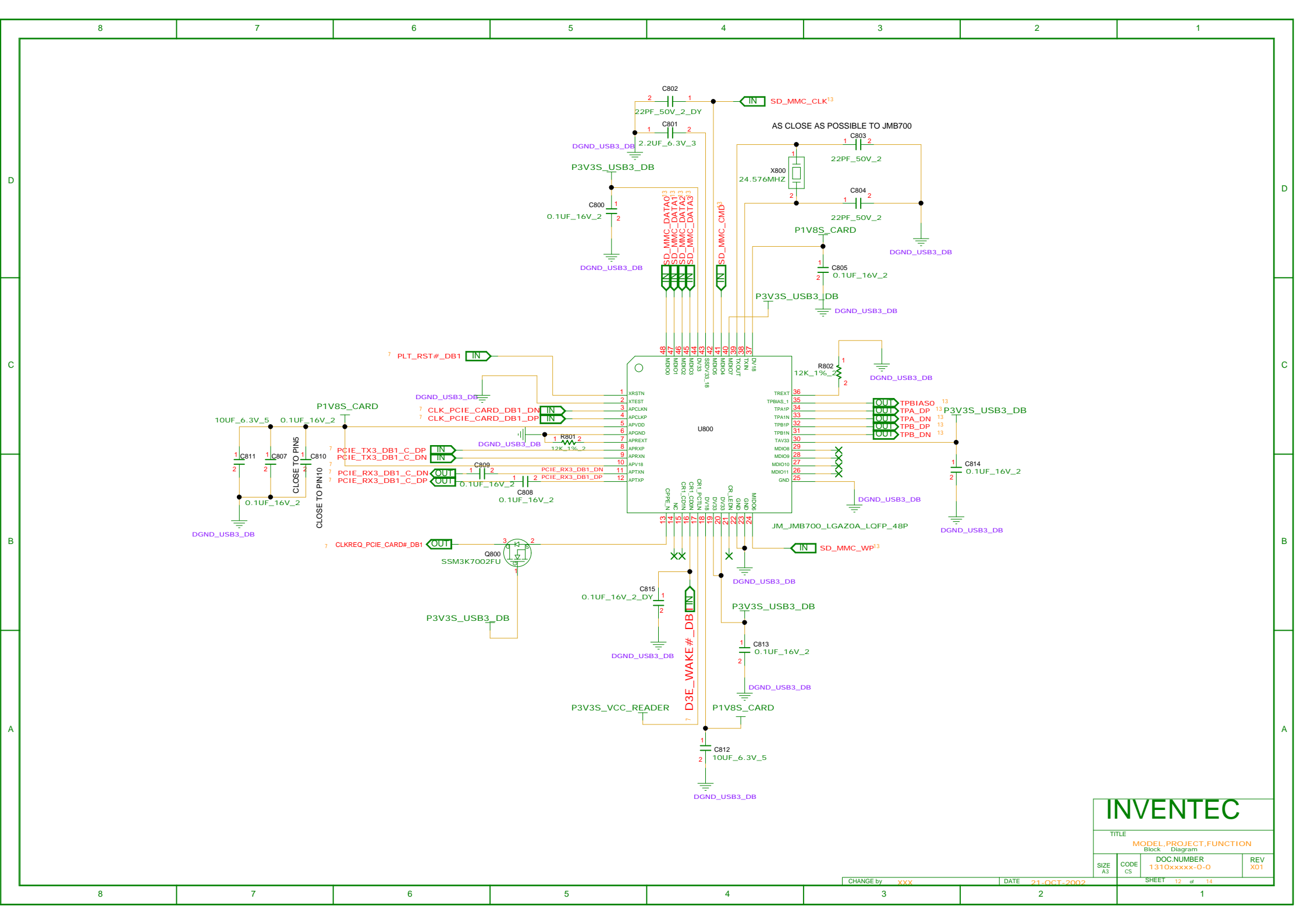


INVENTEC

TITLE			
MODEL, PROJECT, FUNCTION			
Block Diagram			
SIZE	CODE	DOC NUMBER	REV
A3	CS	1310xxxxx-0-0	X01
CHANGE by		DATE	SHEET
XXX		21-OCT-2002	10 of 14

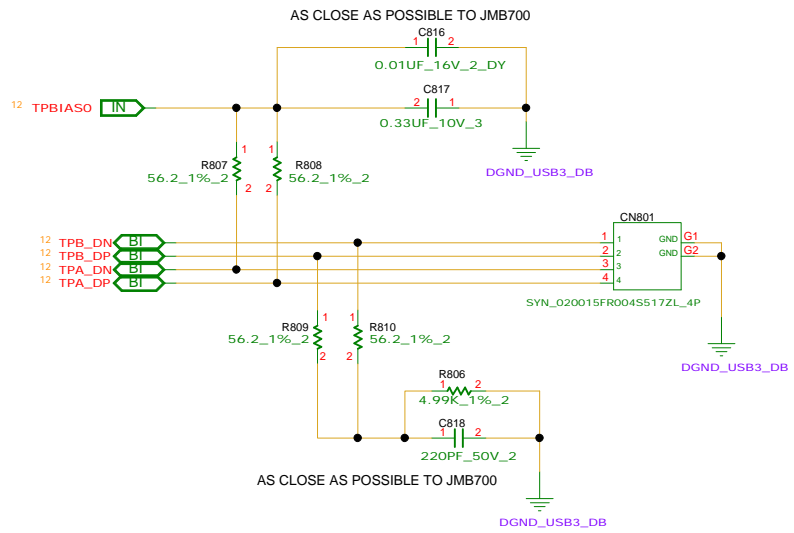


INVENTEC			
TITLE			
MODEL, PROJECT, FUNCTION Block Diagram			
SIZE A3	CODE CS	DOC NUMBER 1310xxxxx-0-0	REV X01
CHANGE by XXX		DATE 21-OCT-2002	SHEET 11 of 14

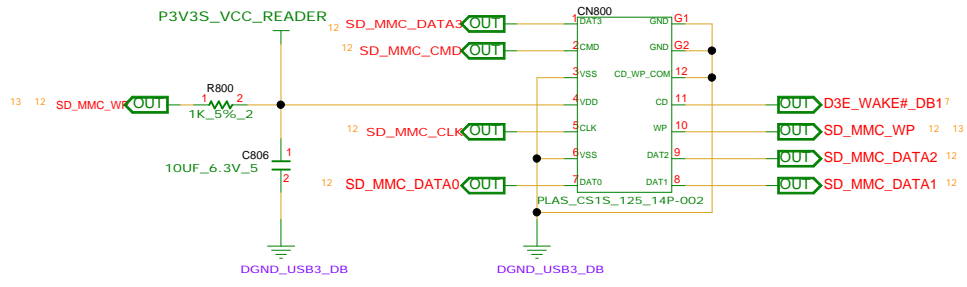


INVENTEC

TITLE			
Block Diagram			
MODEL, PROJECT, FUNCTION			
SIZE	CODE	DOC NUMBER	REV
A3	CS	1310xxxx-0-0	X01
CHANGE by		DATE	SHEET
XXX		21-OCT-2002	12 of 14

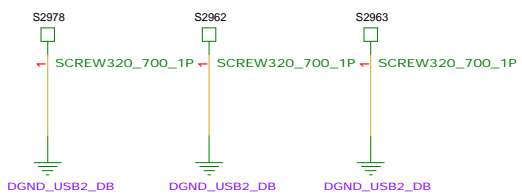


1394 CONN.

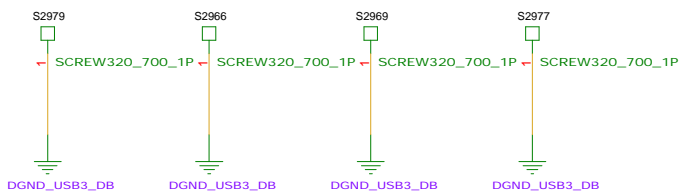


SD/MMC CONN

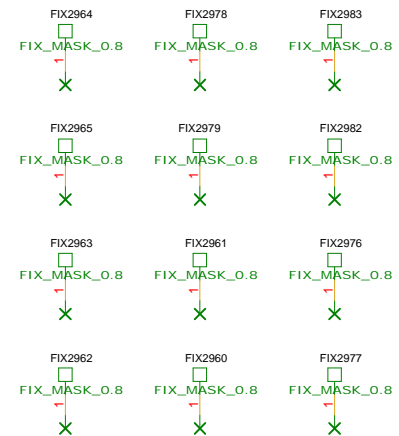
INVENTEC			
TITLE Block Diagram			
MODEL, PROJECT, FUNCTION			
DOC. NUMBER 1310xxxxx-0-0			
SIZE A3	CODE CS	REV X01	



AUDIO BOARD



USB3 BOARD



INVENTEC			
TITLE MODEL, PROJECT, FUNCTION Block Diagram			
SIZE A3	CODE CS	DOC NUMBER 1310xxxxx-0-0	REV X01
CHANGE by XXX		DATE 21-OCT-2002	SHEET 14 of 14