

1 2 3 4 5 6 7 8

THIS DRAWING AND SPECIFICATIONS, HEREIN, ARE THE PROPERTY OF INVENTEC CORPORATION AND SHALL NOT BE REPRODUCED, COPIED, OR USED IN WHOLE OR IN PART AS THE BASIS FOR THE MANUFACTURE OR SALE OF ITEMS WITHOUT WRITTEN PERMISSION, INVENTEC CORPORATION 2009 ALL RIGHT RESERVED

HSF Property : HF

KITTY14I

Huron River Platform

MV Build(Only UMA) A02

2011/03/23

KITTY UMA USB2.0 :

D500 : NA	L7076 : NA	} USB 3.0
L536 : NA	L7042 : NA	
U9834 : NA	L7077 : 6014A0013901	} USB 2.0
CN505 : 6026B0184301	L7075 : 6014A0013901	
CN507 : 6026B0184301	CN7003 : 6012B0381501	
	CN7004 : 6012B0381501	

DATE	CHANGE NO.	REV
2011-03-11	2011-ECO-004350	A

DRAWER	EE	DATE	POWER	DATE	INVENTEC			
DESIGN	<i>Chang, Irene</i>	2010-12-01	<i>Hsieh, Alan</i>	2010-12-01	KITTY			
CHECK	<i>Hu, Hook</i>	2010-12-01			<i>Project Name</i>			
RESPONSIBLE	<i>Hu, Hook</i>	2010-12-01			SIZE CODE DOC NUMBER REV			
SIZE = 3					A3	CS	J310A24245-0-MTR	A
FILE NAME : KITTY-6050A2424501-A01-2010-12-01					SHEET 1 OF 51			
P/N : 6050A2424501								

1 2 3 4 5 6 7 8

Index

PAGE

- 01. PROJECT NAME
- 02. INDEX
- 03. Block Diagram
- 04. POWER Procedure
- 05. Power On sequence
- 06. DC & CHARGE Circuit
- 07. Battery CONN
- 08. +V3A & +V5A
- 09. +V1.5 & +V0.75
- 10. +V1.8S & +VCCSA
- 11. VCC & VGFX Core IC
- 12. +VCC_CORE & +VGFX_CORE
- 13. VTT & +V1.05S
- 14. +V5S & +V3S & +V1.5S
- 15. SLG3NB_CLK GEN
- 16. CPU-1 (CLK, MISC, JTAG)
- 17. CPU-2 (POWER)
- 18. CPU-3 (DMI, DP, PEG, FDI)
- 19. CPU-4 (DDR3)
- 20. CPU-5 (GRAPHICS POWER)
- 21. CPU-6 (GND)
- 22. Thermal HW , Fan
- 23. DDR3-1
- 24. DDR3-2

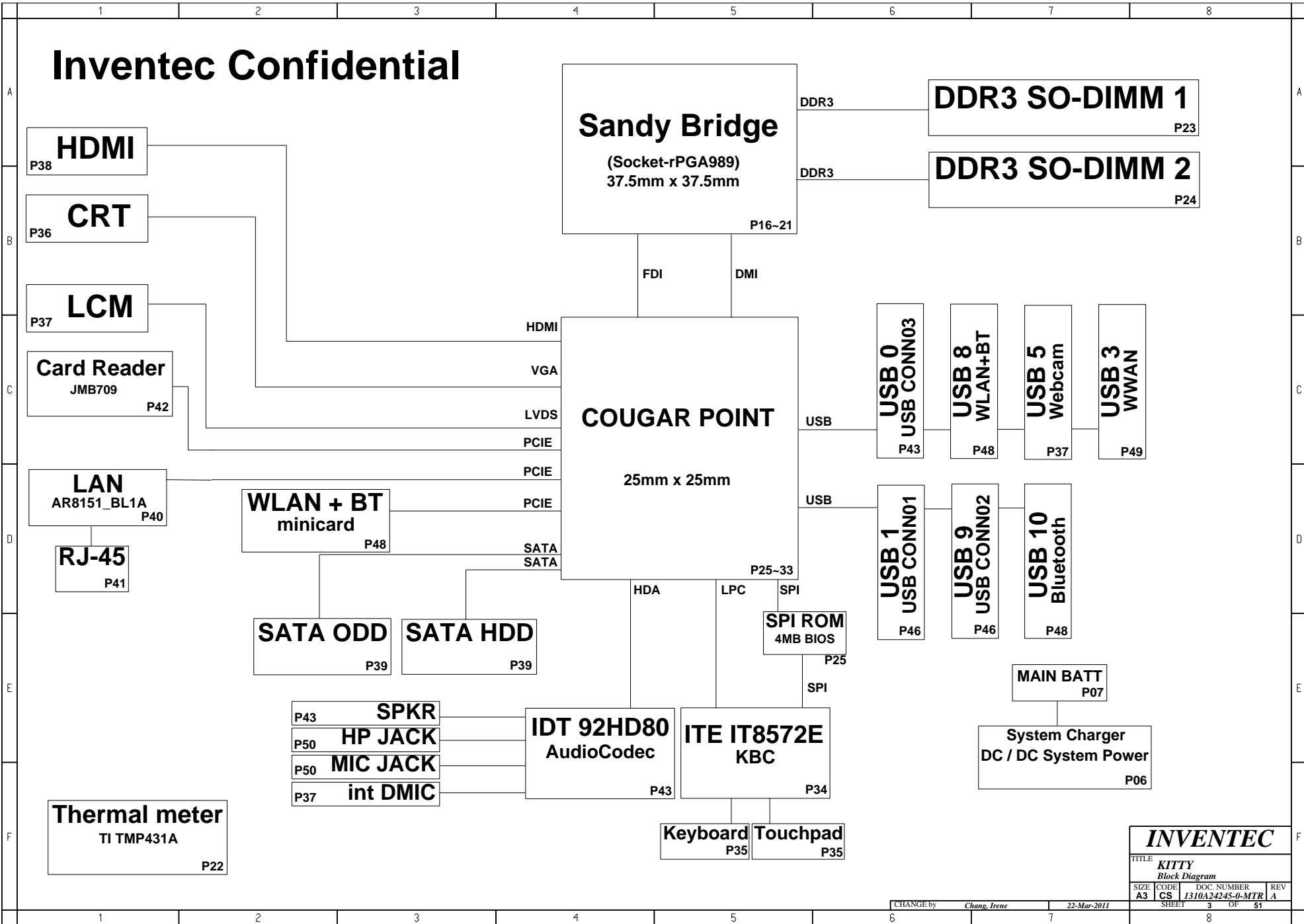
PAGE

- 25. PCH-1 (HDA, JTAG, SPI, SATA)
- 26. PCH-2 (PCI-E, SMBUS, CLK)
- 27. PCH-3 (DMI, FDI, GPIO)
- 28. PCH-4 (LVDS, DDI)
- 29. PCH-5 (PCI, USB, NVRAM)
- 30. PCH-6 (GPIO, VSS_NTFC, RSVD)
- 31. PCH-7 (POWER)
- 32. PCH-8 (POWER)
- 33. PCH-9 (GND)
- 34. KBC ITE8752
- 35. Keyboard & TouchPad & LED
- 36. CRT CONN
- 37. LCM & eDP CONN
- 38. HDMI CONN
- 39. SATA HDD & ODD ; PBN CONN
- 40. LAN
- 41. RJ-45
- 42. Card Reader
- 43. Audio Codec
- 44. BLANK
- 45. USB3.0 IC
- 46. USB3.0 CONN
- 47. SCREW& EMI
- 48. WLAN & BlueTooth
- 49. WWAN & SIM
- 50. USB & HP JACK & MIC JACK (DB)
- 51. Power & Pick button BOARD(DB)

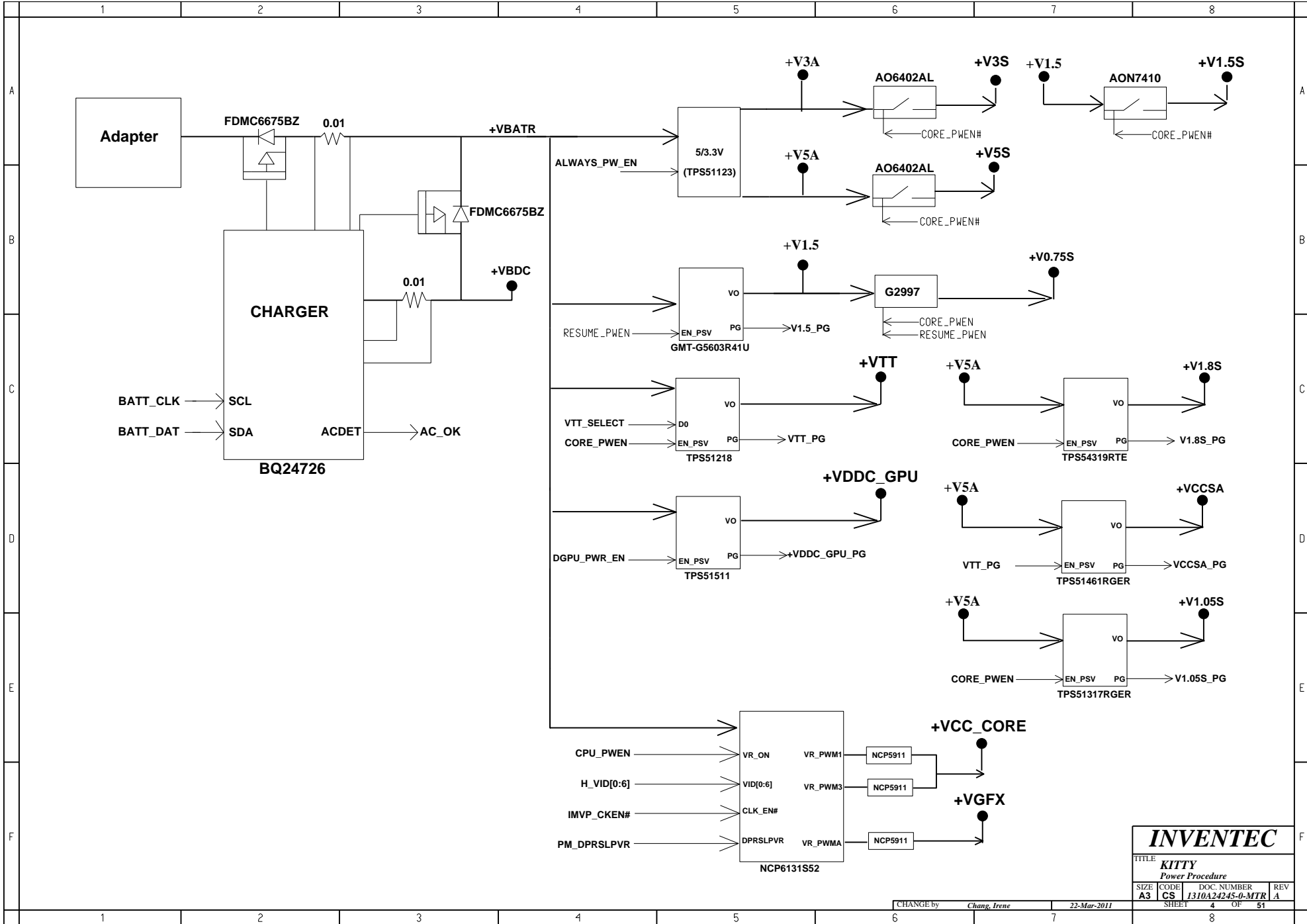
INVENTEC

TITLE <i>KITTY</i> <i>Index</i>			
SIZE A3	CODE CS	DOC. NUMBER <i>1310A24245-0-MTR</i>	REV A
CHANGE by <i>Chang, Irene</i>		22-Mar-2011	
SHEET 2		OF 51	

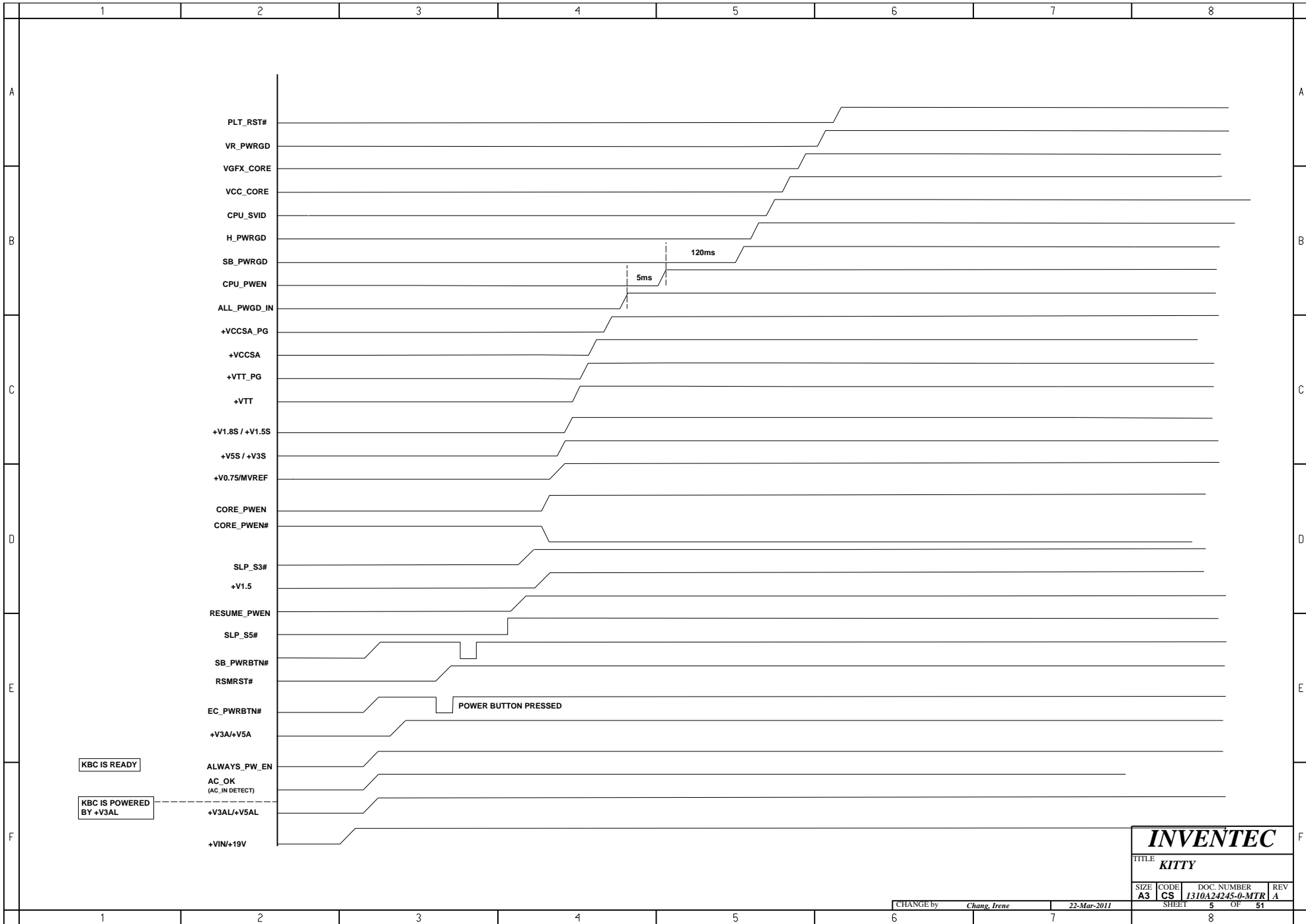
Inventec Confidential



INVENTEC			
TITLE: KITTY			
Block Diagram			
SIZE: A3	CODE: CS	DOC. NUMBER: 1310A24245-0-MTR	REV: A
CHANGE by: <i>Chang, Irene</i>		22-Mar-2011	
SHEET: 3		OF: 51	

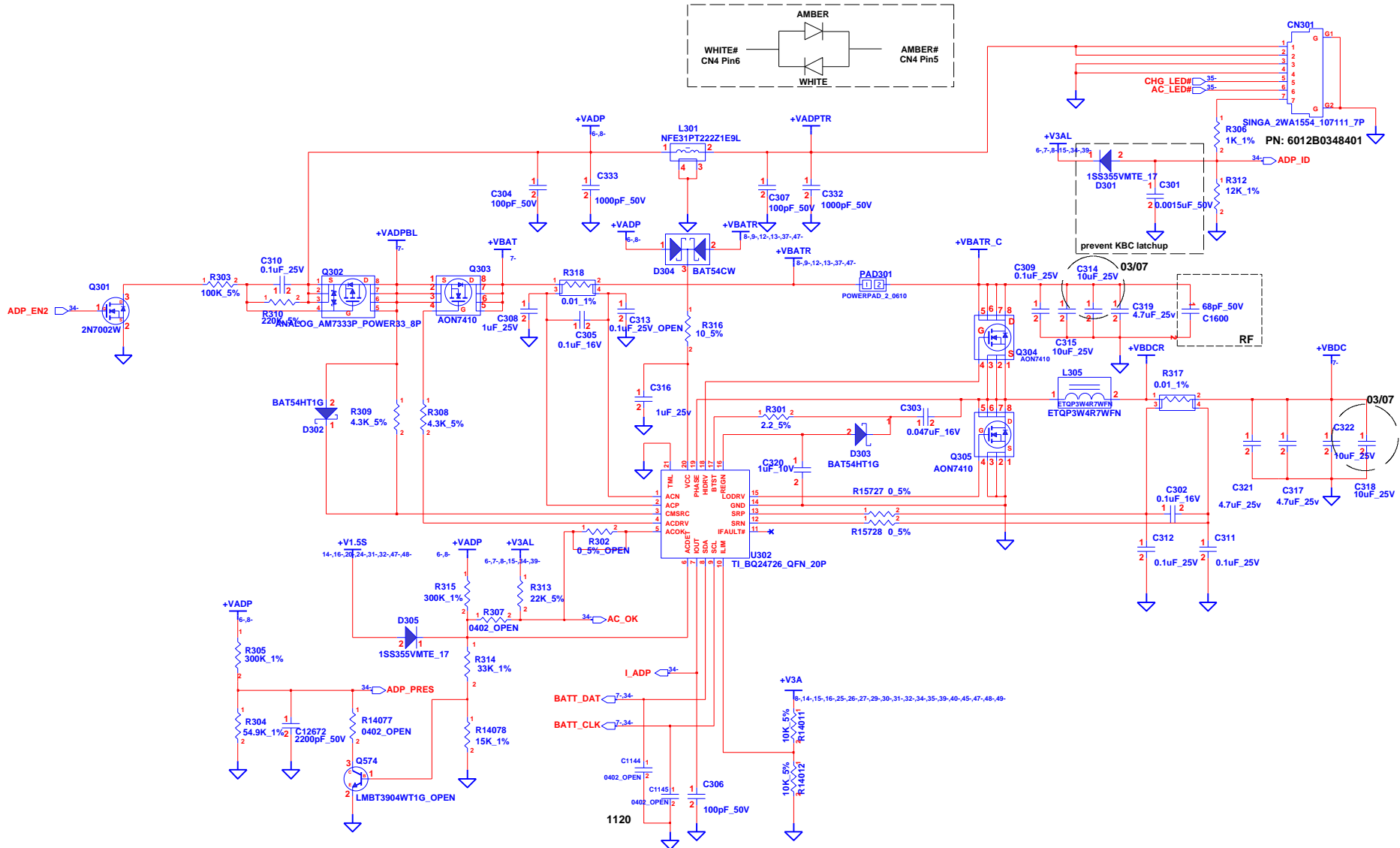
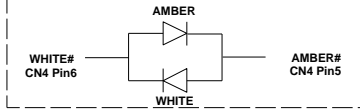


INVENTEC			
TITLE KITTY			
Power Procedure			
SIZE	CODE	DOC NUMBER	REV
A3	CS	1310A24245-0-MTR	A
CHANGE by <i>Chang, Irene</i>		22-Mar-2011	
SHEET 4		OF 51	

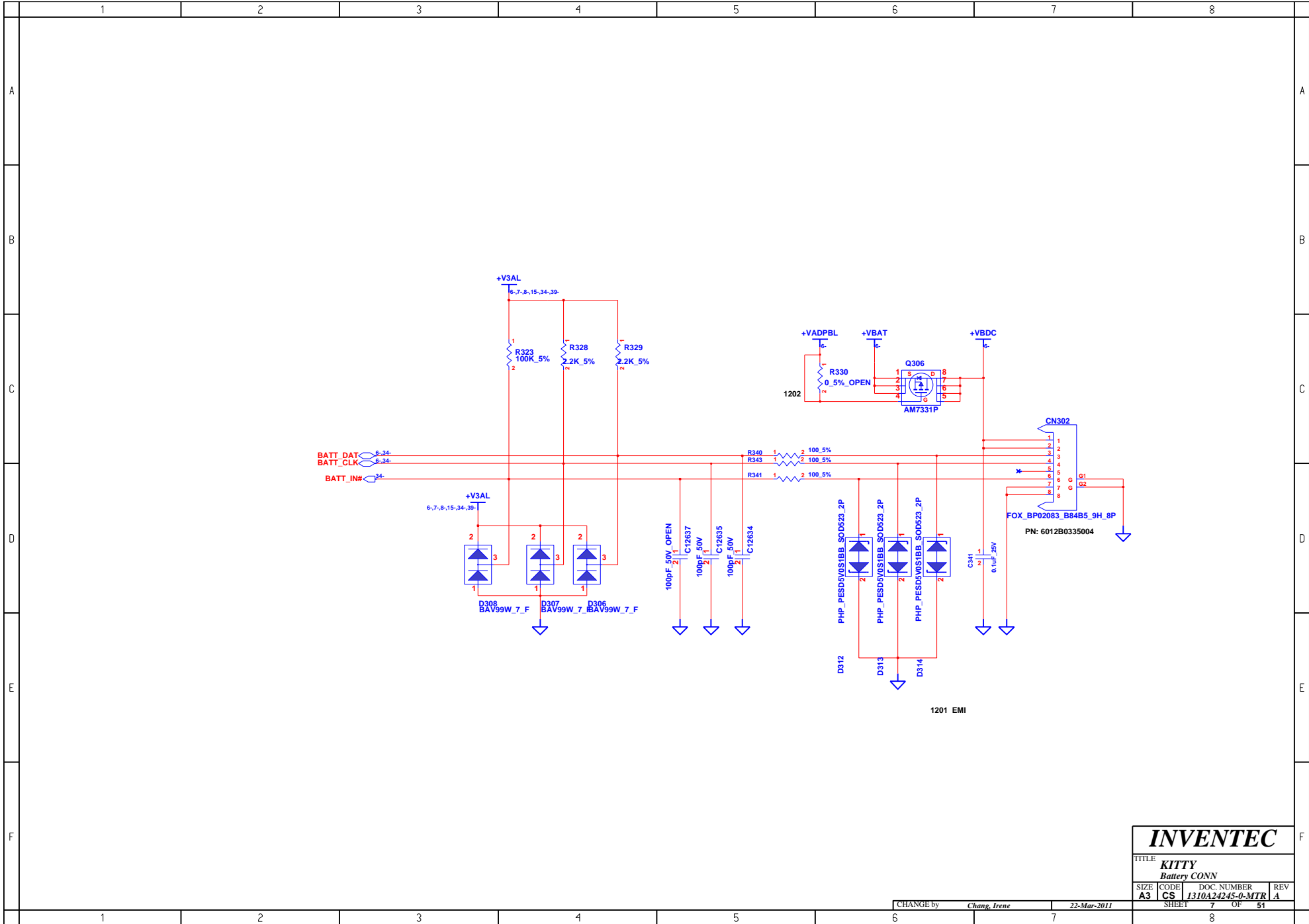


INVENTEC			
TITLE KITTY			
SIZE A3	CODE CS	DOC. NUMBER 1310A24245-0-MTR	REV A
CHANGE by Chang, Irene		22-Mar-2011	
SHEET 5		OF 51	

AC IN



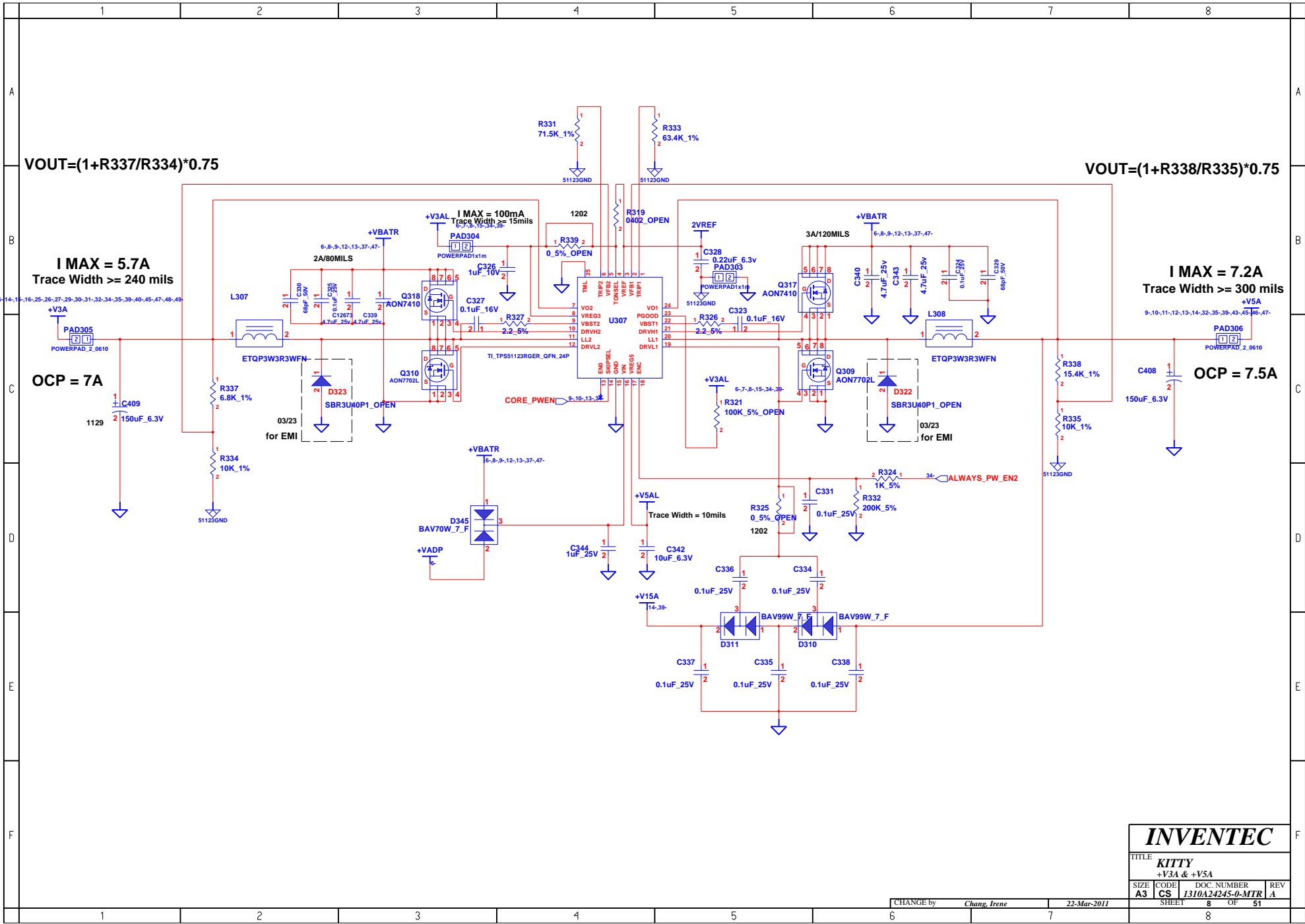
INVENTEC			
TITLE KITTY			
DC & Battery Charger			
SIZE A3	CODE CS	DOC NUMBER I310A24245-0-MTR	REV A
CHANGE by <i>Chang, Irene</i>		22-Mar-2011	
SHEET 6		OF 51	



INVENTEC

TITLE			
KITTY			
Battery CONN			
SIZE	CODE	DOC. NUMBER	REV
A3	CS	1310A24245-0-MTR	A
CHANGE by		22-Mar-2011	
SHEET		7	OF 51

CHANGE by *Chang, Irene* 22-Mar-2011



$$V_{OUT} = (1 + R_{337}/R_{334}) * 0.75$$

$$V_{OUT} = (1 + R_{338}/R_{335}) * 0.75$$

I MAX = 5.7A
Trace Width >= 240 mils

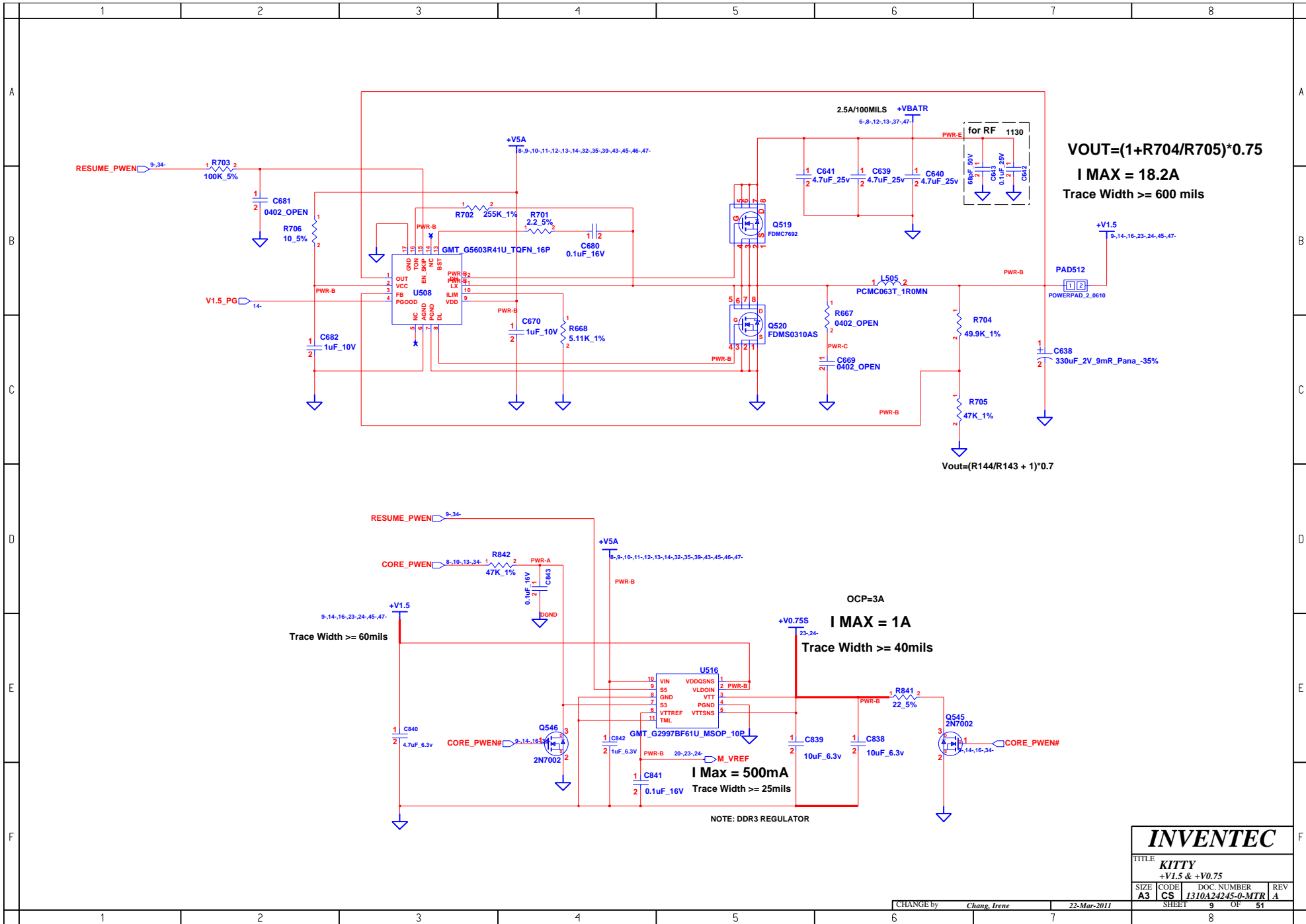
I MAX = 7.2A
Trace Width >= 300 mils

OCP = 7A

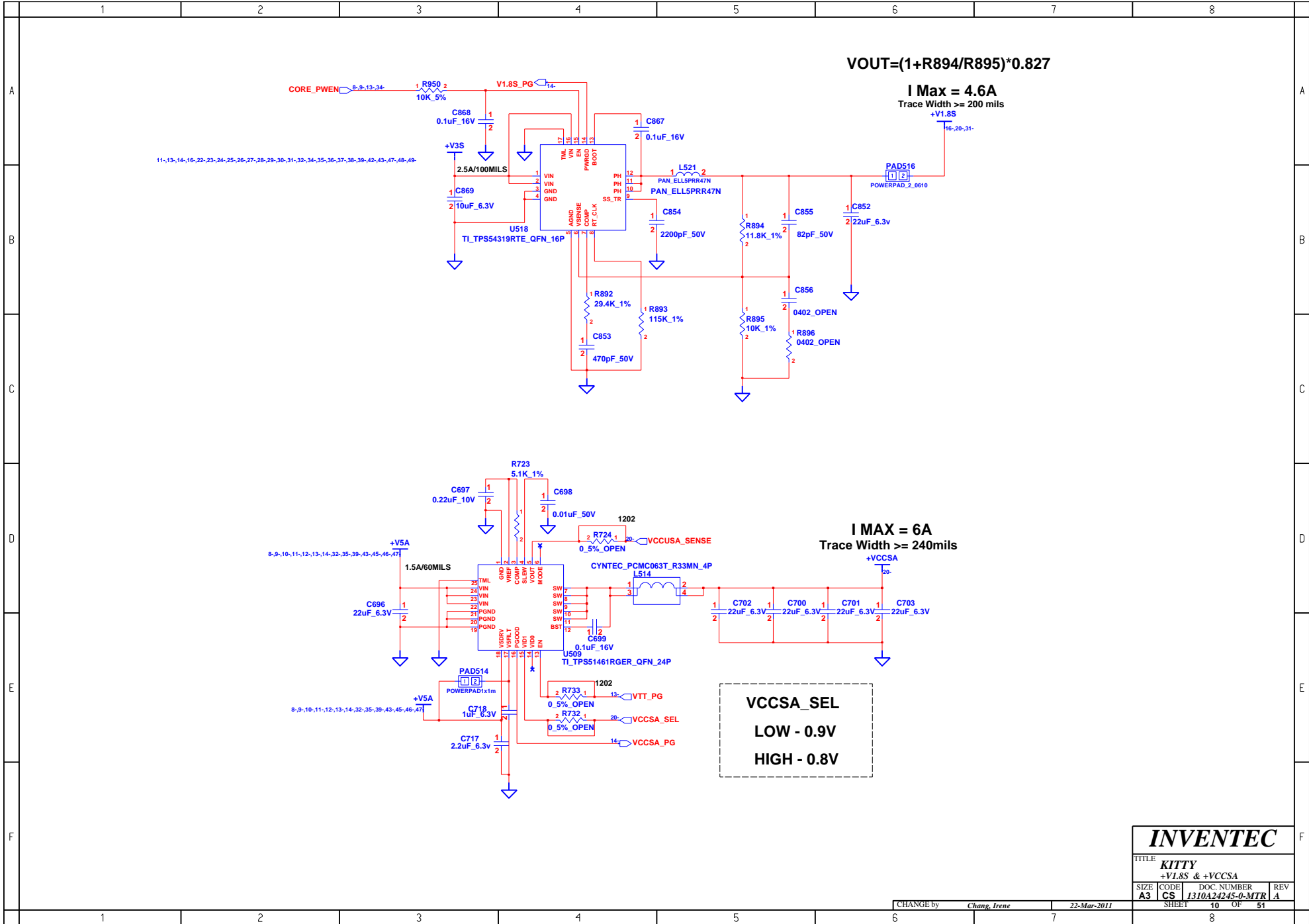
OCP = 7.5A

INVENTEC

TITLE			
KITTY			
+V3A & +V5A			
SIZE	CODE	DOC. NUMBER	REV
A3	CS	J310A24245-0-MTR	A
SHEET		8	OF 51



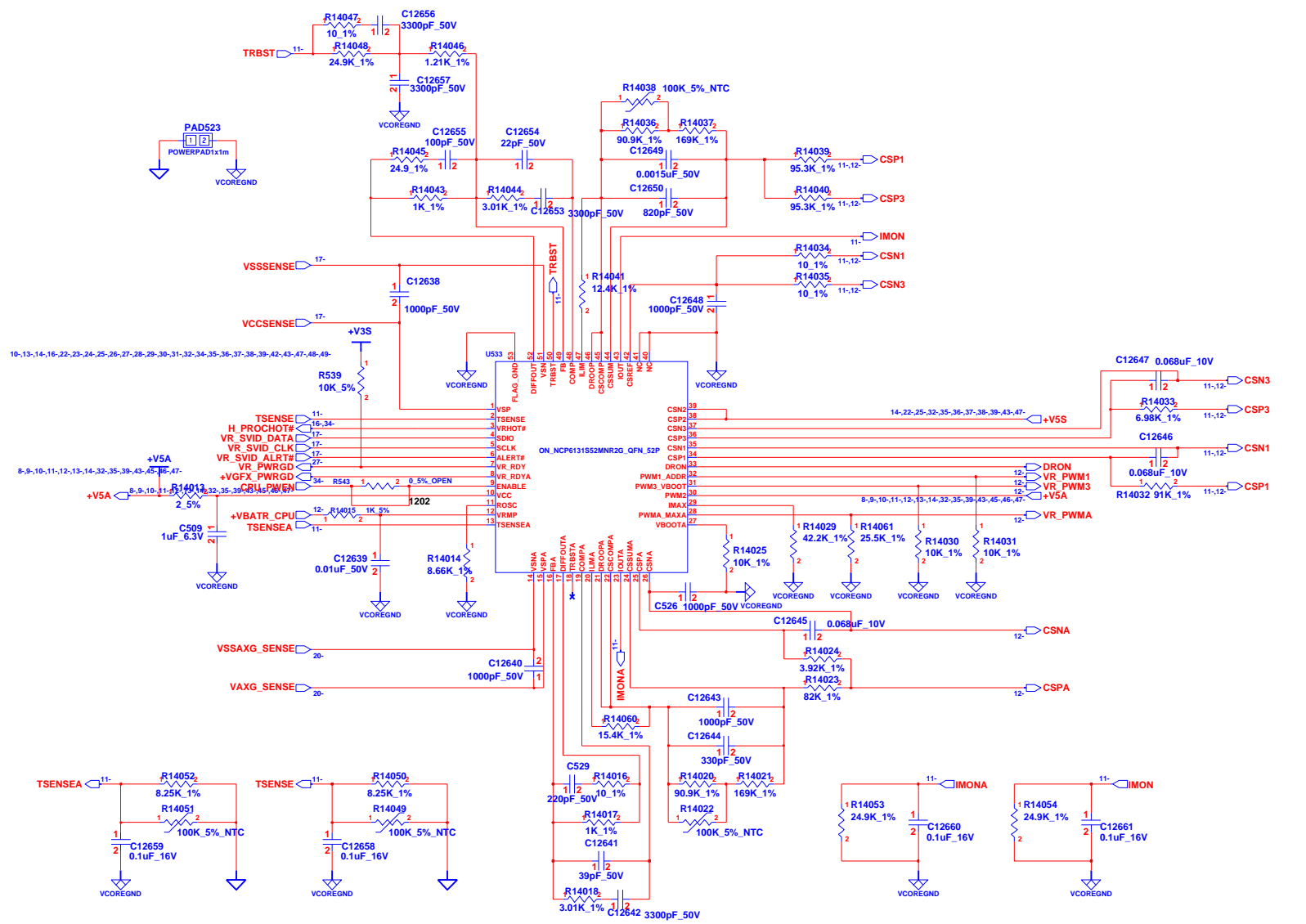
INVENTEC			
TITLE KITTY			
+V1.5 & +V0.75			
SIZE A3	CODE CS	DOC NUMBER 1310A24245-0-MTR	REV A
CHANGE by Chang, Irene		22-Mar-2011	
SHEET 9		OF 51	



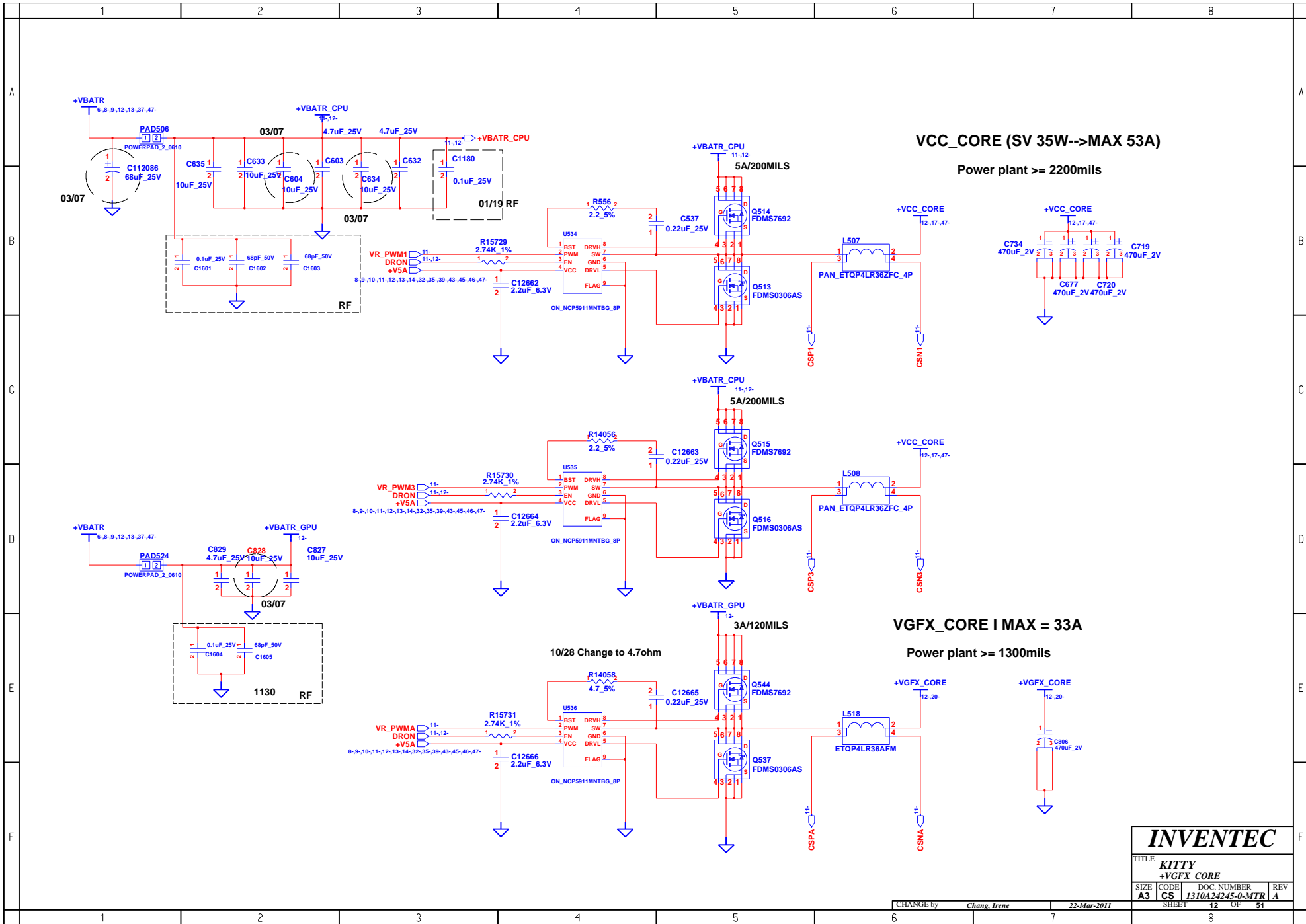
INVENTEC

TITLE			
KITTY			
+V1.8S & +VCCSA			
SIZE	CODE	DOC NUMBER	REV
A3	CS	1310A24245-0-MTR	A
SHEET		10	OF 51

CHANGE by *Chang, Irene* 22-Mar-2011



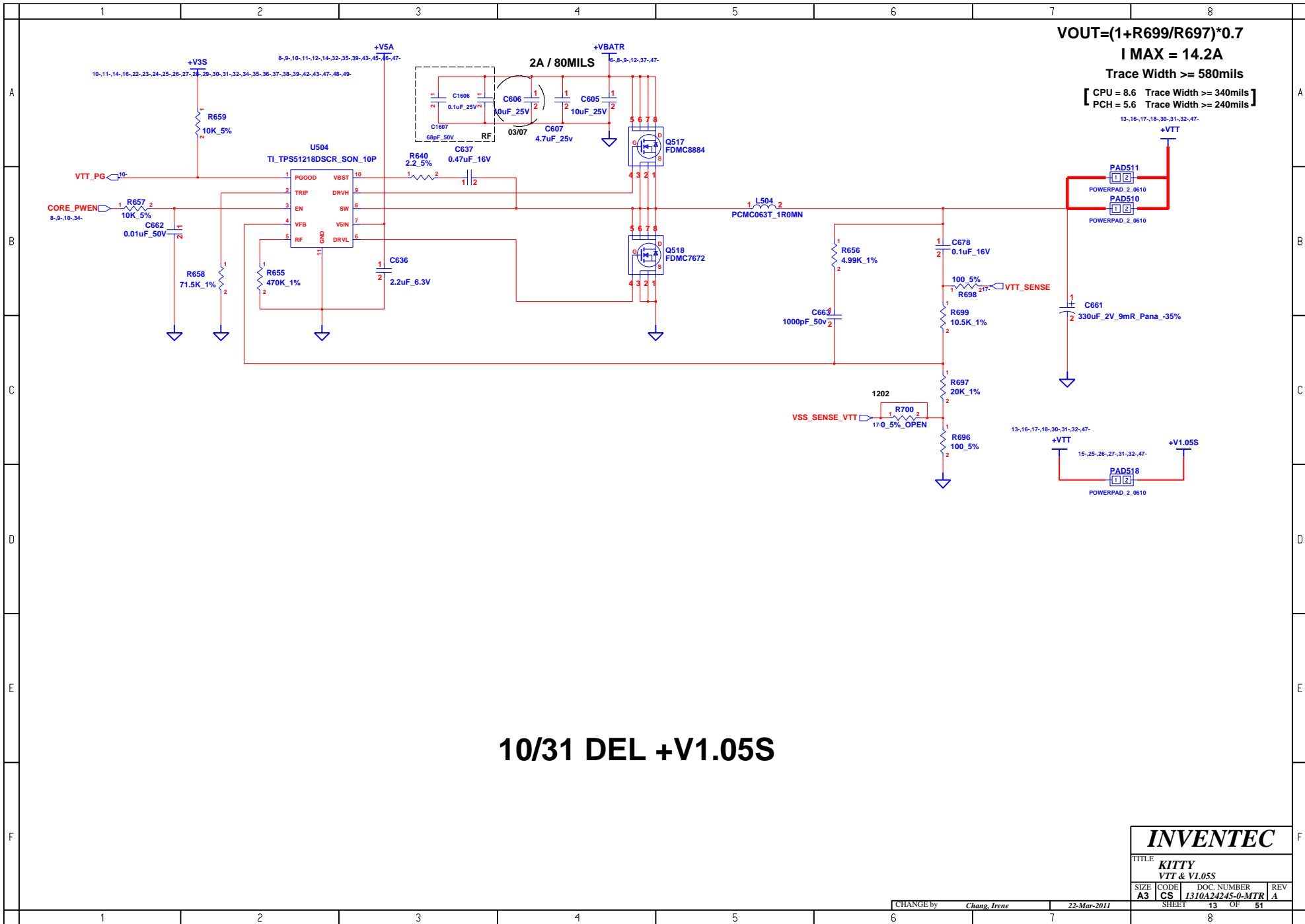
INVENTEC			
TITLE KITTY +VCC_CORE			
SIZE A3	CODE CS	DOC NUMBER 1310A24245-0-MTR	REV A
CHANGE by <i>Chang, Irene</i>		22-Mar-2011	
SHEET 11		OF 51	



VCC_CORE (SV 35W-->MAX 53A)
Power plant >= 2200mils

VGFX_CORE I MAX = 33A
Power plant >= 1300mils

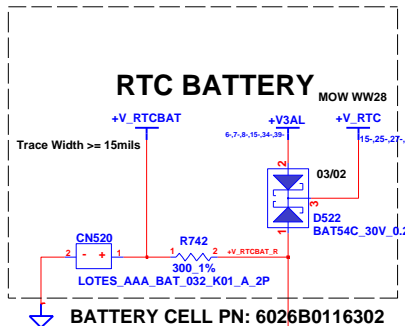
INVENTEC			
TITLE: KITTY			
+VGFX_CORE			
SIZE: A3	CODE: CS	DOC. NUMBER: 1310A24245-0-MTR	REV: A
CHANGE by: <i>Chang, Irene</i>		22-Mar-2011	
SHEET: 12		OF: 51	



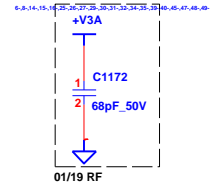
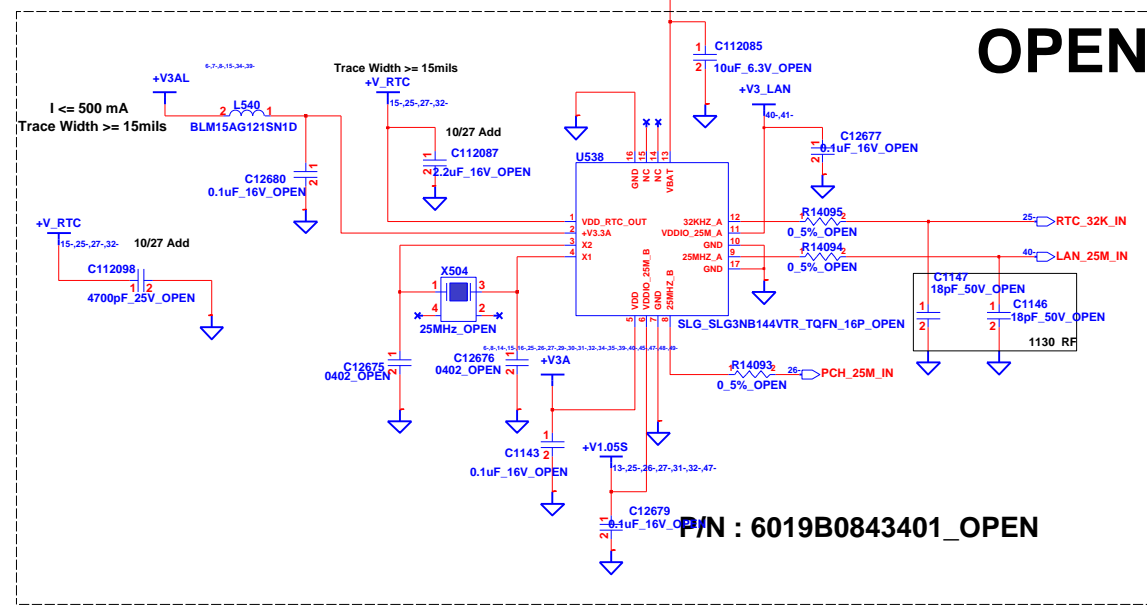
INVENTEC

TITLE			
KITTY			
VTT & V1.05S			
SIZE	CODE	DOC. NUMBER	REV
A3	CS	1310A24245-0-MTR	A
CHANGE by		SHEET	
<i>Chang, Irene</i>		13 OF 51	

22-Mar-2011



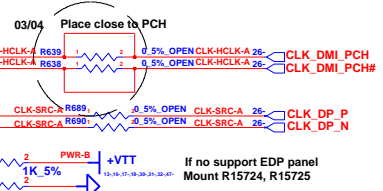
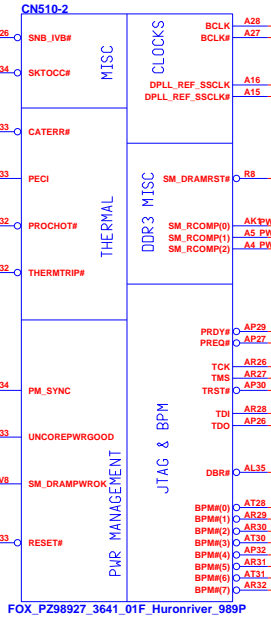
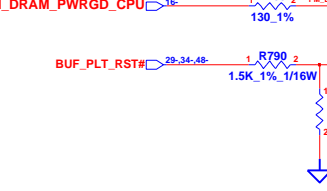
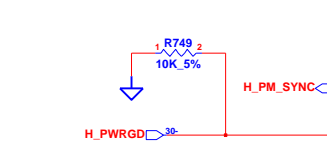
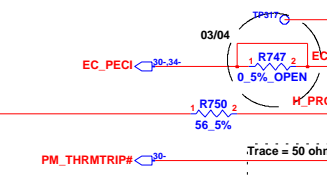
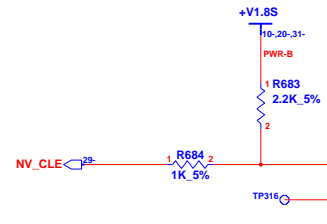
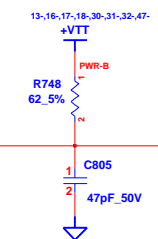
IF USE U538
D522 6011A0026803 NA



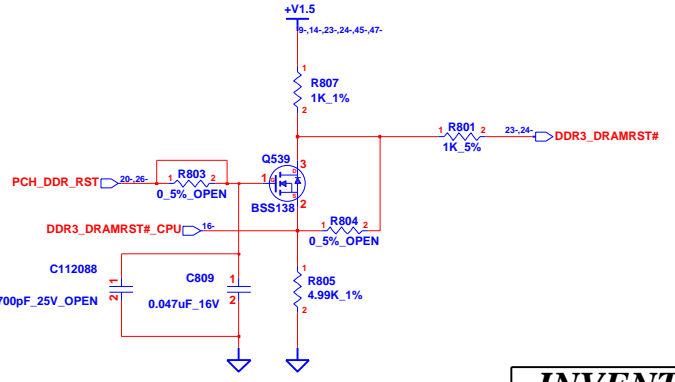
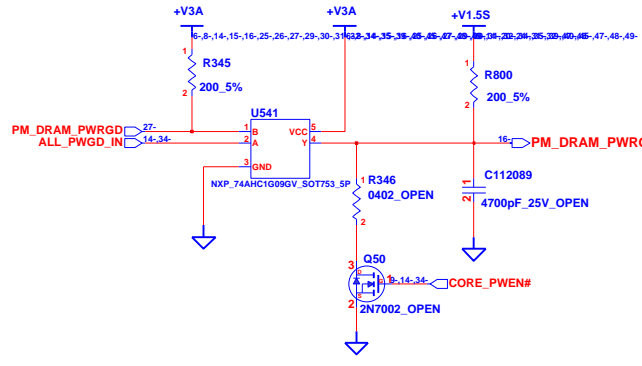
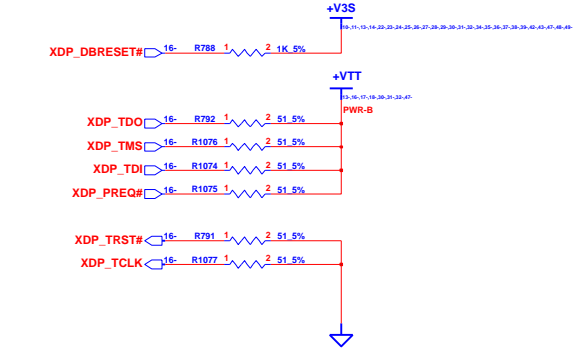
INVENTEC			
TITLE KITTY BLANK			
SIZE A3	CODE CS	DOC. NUMBER 1310A24245-0-MTR	REV A
CHANGE by Chang, Irene		22-Mar-2011	SHEET 15 OF 51

**BOM
CN510 : 6026B0154902**

Place Close to VR

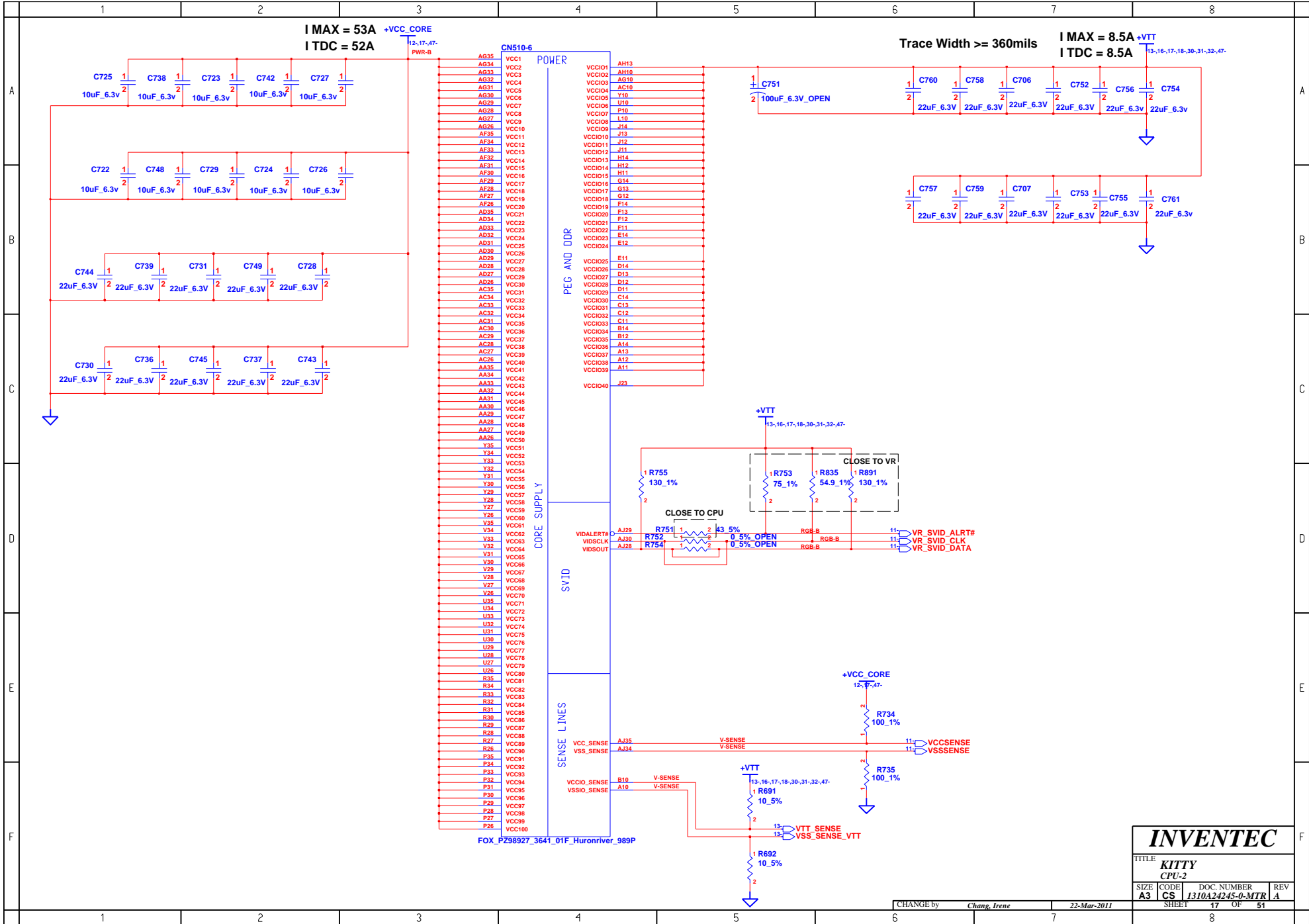


SIGNAL	WIDTH	SPACEING	Length
SM_RCOMP[0]	20mils	20mils	500mils
SM_RCOMP[1]	20mils	20mils	500mils
SM_RCOMP[2]	15mils	15mils	500mils

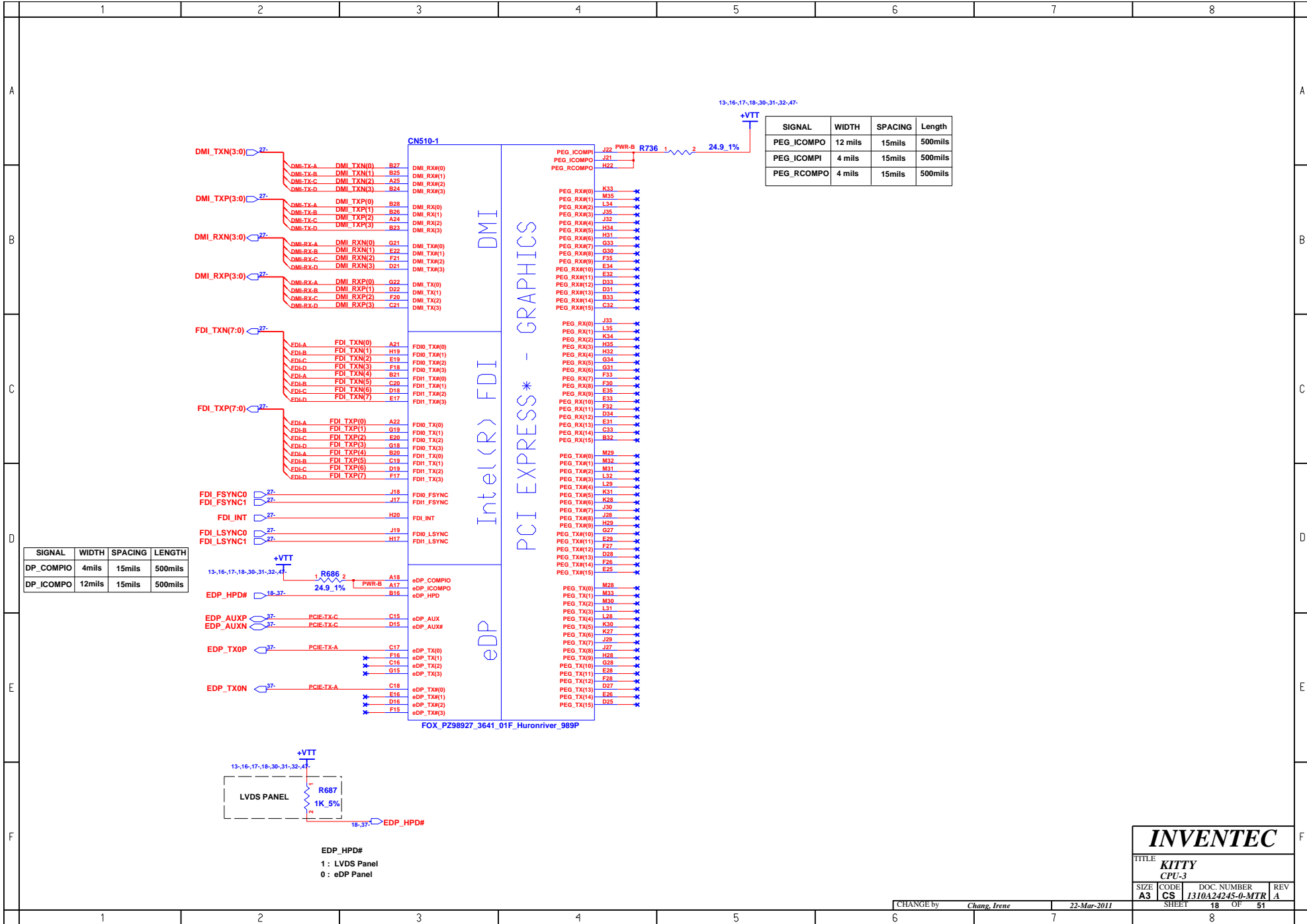


INVENTEC

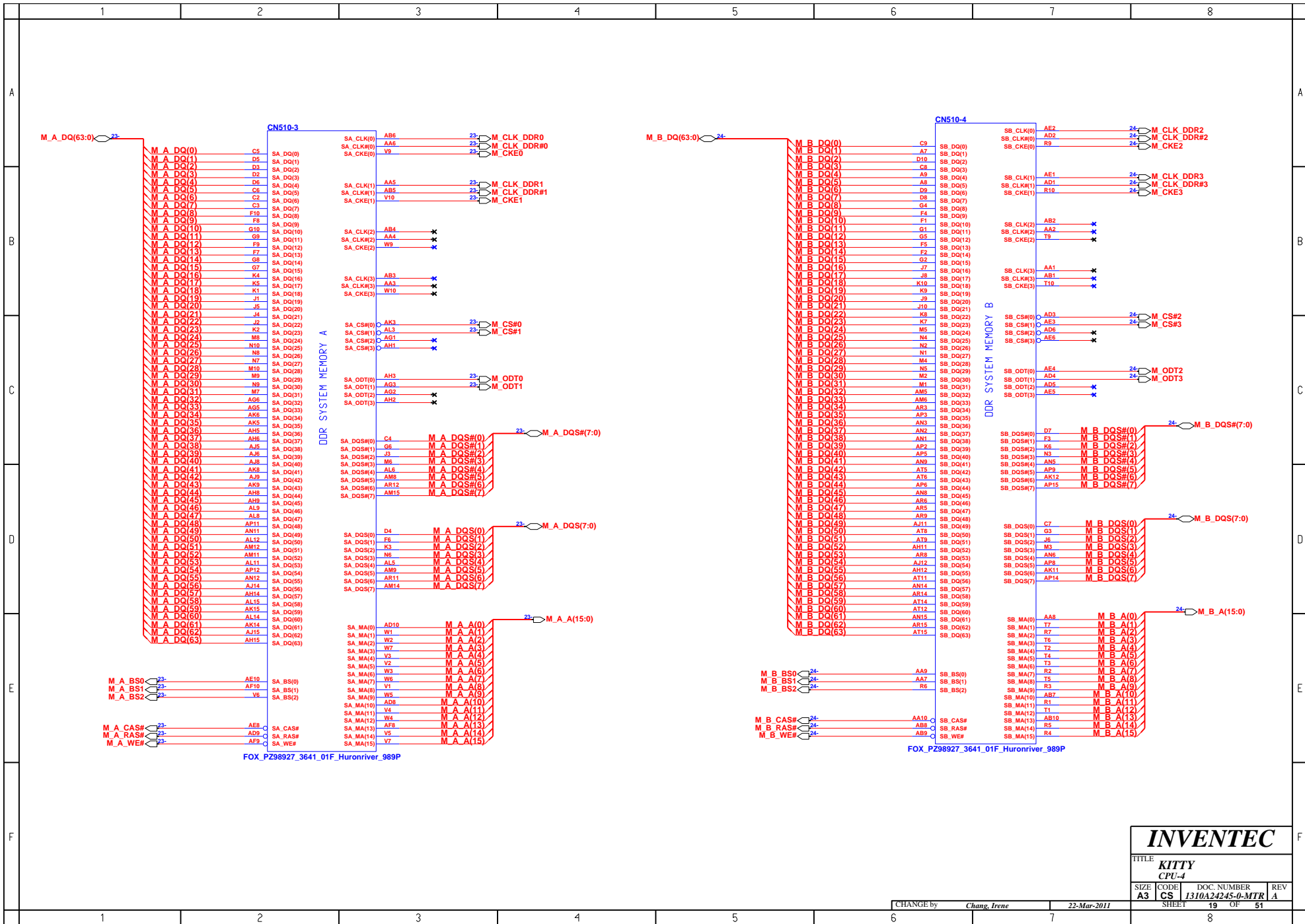
TITLE KITTY CPU-1			
SIZE A3	CODE CS	DOC. NUMBER 1310A24245-0-MTR	REV A
CHANGE by Chang, Irene		22-Mar-2011	
SHEET 16		OF 51	



INVENTEC			
TITLE KITTY CPU-2			
SIZE A3	CODE CS	DOC. NUMBER 1310A24245-0-MTR	REV A
CHANGE by <i>Chang, Irene</i>		22-Mar-2011	
SHEET 17		OF 51	



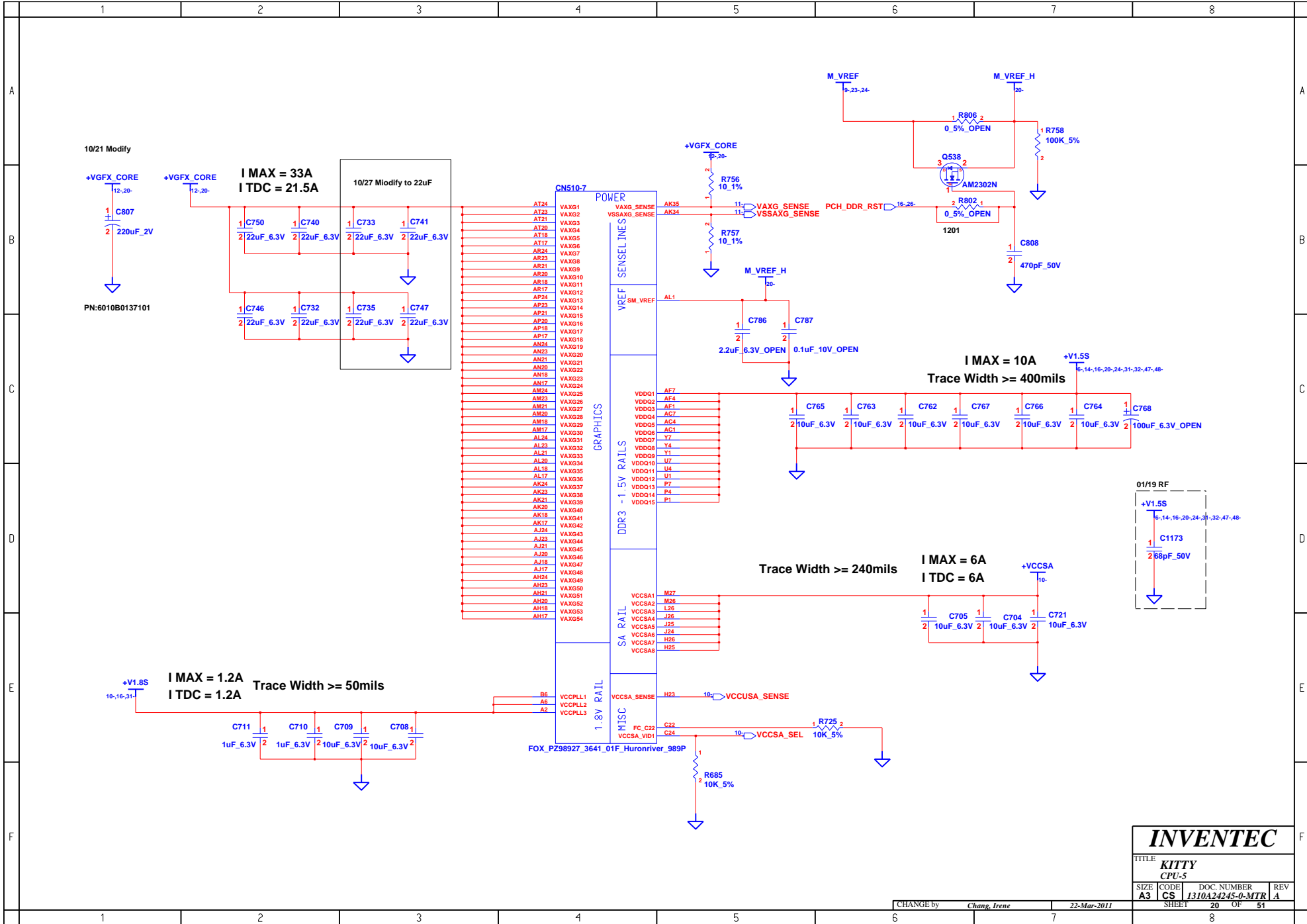
INVENTEC			
TITLE KITTY CPU-3			
SIZE A3	CODE CS	DOC. NUMBER 1310A24245-0-MTR	REV A
CHANGE by Chang, Irene		22-Mar-2011	
SHEET 18		OF 51	



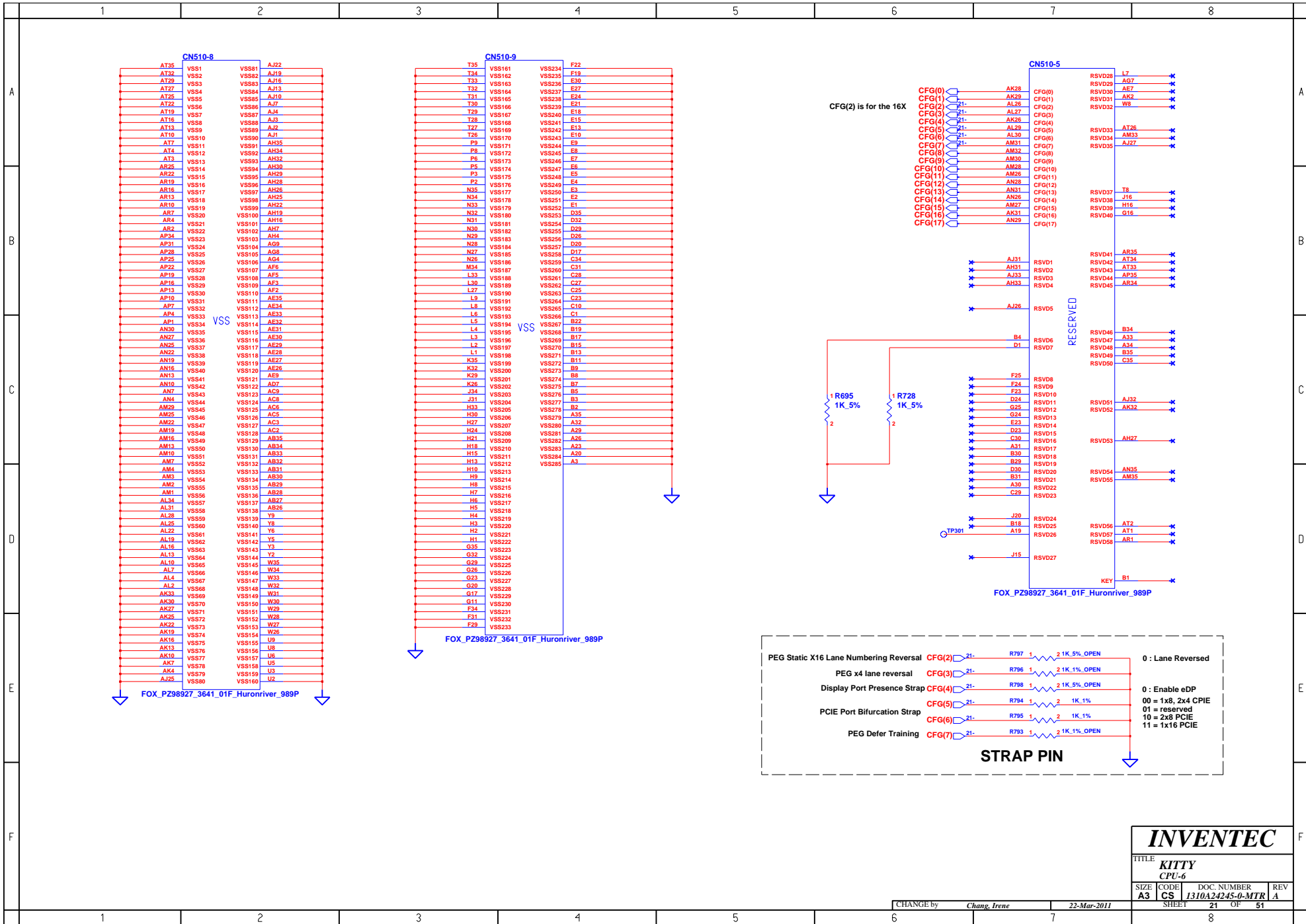
INVENTEC

TITLE			
KITTY			
CPU-4			
SIZE	CODE	DOC. NUMBER	REV
A3	CS	1310A24245-0-MTR	A
SHEET		19 OF 51	

CHANGE by *Chang, Irene* 22-Mar-2011



INVENTEC				
TITLE KITTY CPU-5				
SIZE A3	CODE CS	DOC. NUMBER 1310A24245-0-MTR	REV A	
CHANGE by Chang, Irene		22-Mar-2011		SHEET 20 OF 51



STRAP PIN

PEG Static X16 Lane Numbering Reversal CFG(2) 21- R797 1 2 1K_5%_OPEN

PEG x4 lane reversal CFG(3) 21- R796 1 2 1K_1%_OPEN

Display Port Presence Strap CFG(4) 21- R796 1 2 1K_5%_OPEN

PCIE Port Bifurcation Strap CFG(5) 21- R794 1 2 1K_1%

CFG(6) 21- R795 1 2 1K_1%

PEG Defer Training CFG(7) 21- R793 1 2 1K_1%_OPEN

0 : Lane Reversed

0 : Enable eDP

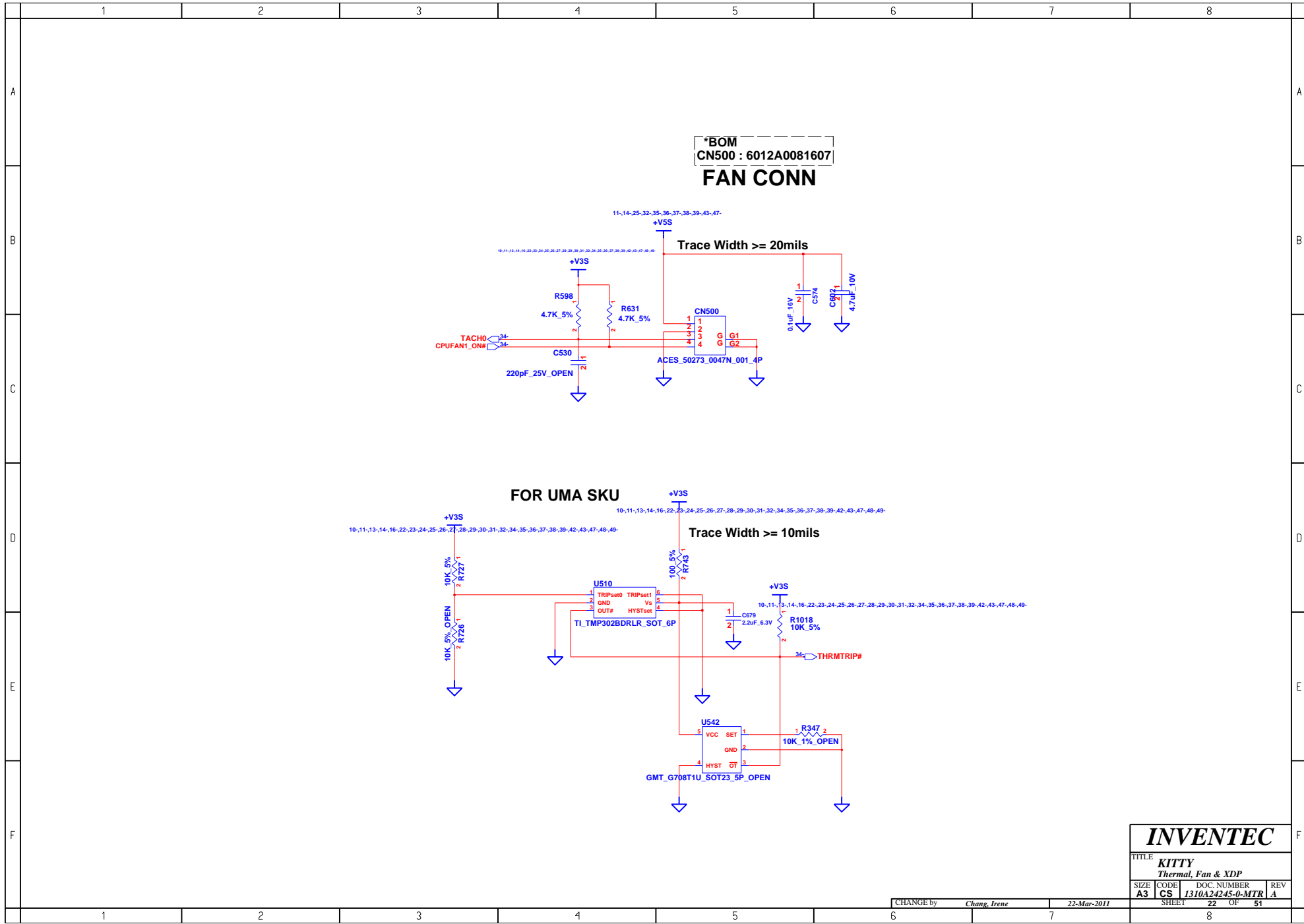
00 = 1x8, 2x4 CPEI

01 = reserved

10 = 2x8 PCIE

11 = 1x16 PCIE

INVENTEC			
TITLE KITTY CPU-6			
SIZE A3	CODE CS	DOC. NUMBER 1310A24245-0-MTR	REV A
CHANGE by <i>Chang, Irene</i>		22-Mar-2011	
SHEET 21		OF 51	



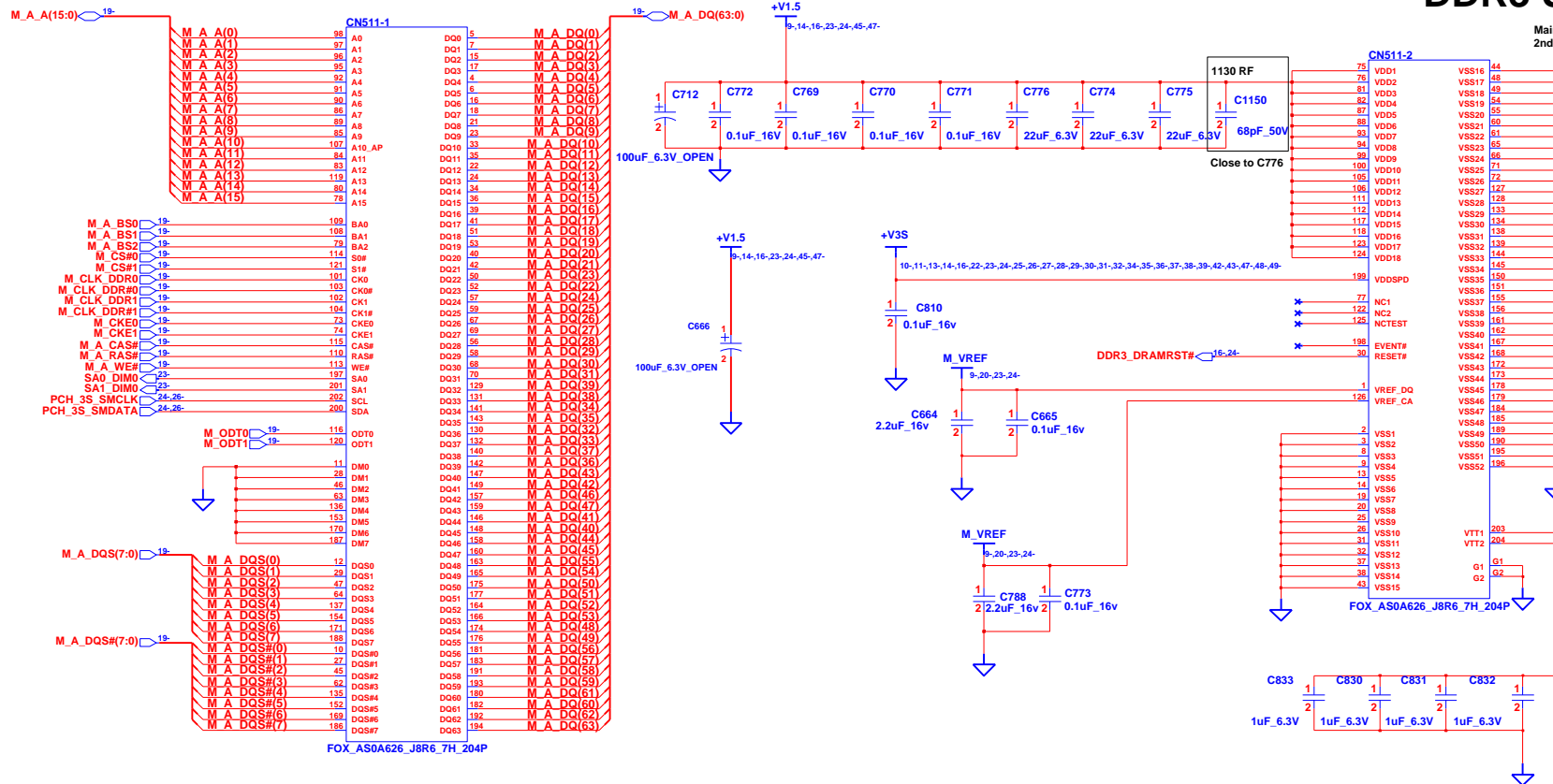
INVENTEC

TITLE			
KITTY			
Thermal, Fan & XDP			
SIZE	CODE	DOC NUMBER	REV
A3	CS	1310A24245-0-MTR	A
SHEET		OF	
22		51	

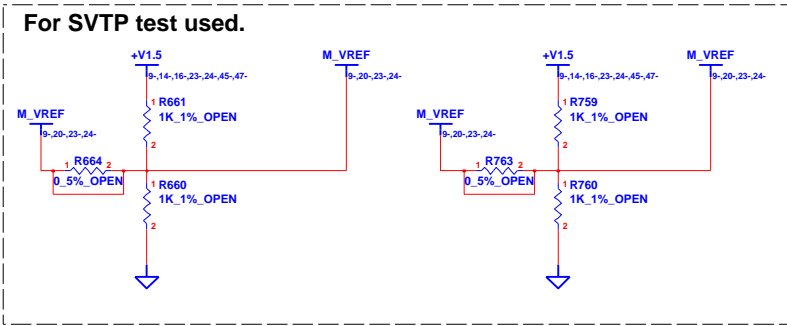
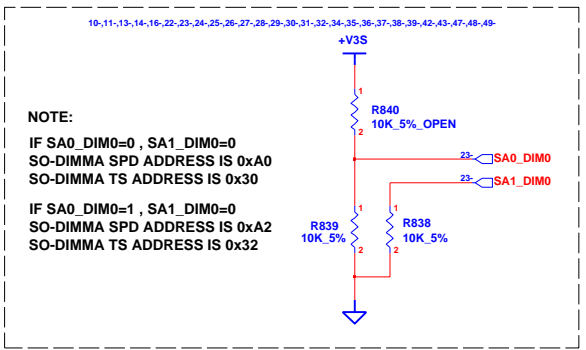
CHANGE by *Chang, Irene* 22-Mar-2011

DDR3 SO-DIMM 1

Main : 6026B0179601
2nd : 6026B0157609



10/31 G2 Change to GND



INVENTEC			
TITLE KITTY DDR3-I			
SIZE A3	CODE CS	DOC. NUMBER 1310A24245-0-MTR	REV A
CHANGE by Chang, Irene		22-Mar-2011	
SHEET 23		OF 51	

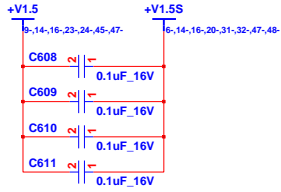
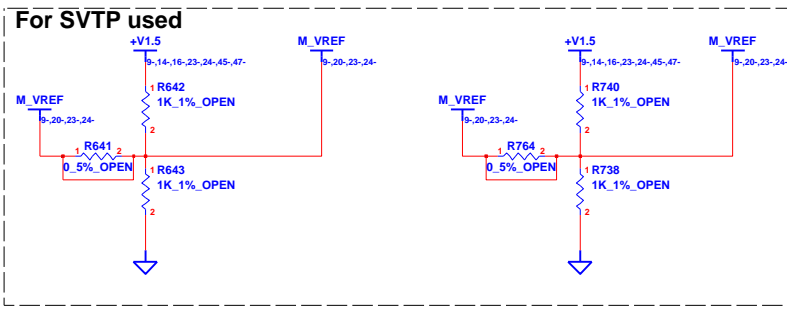
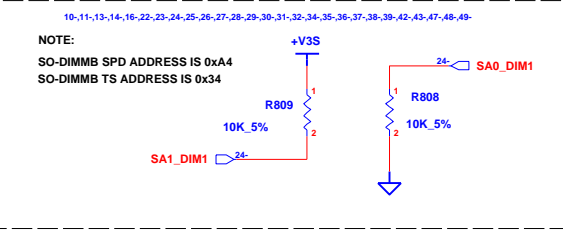
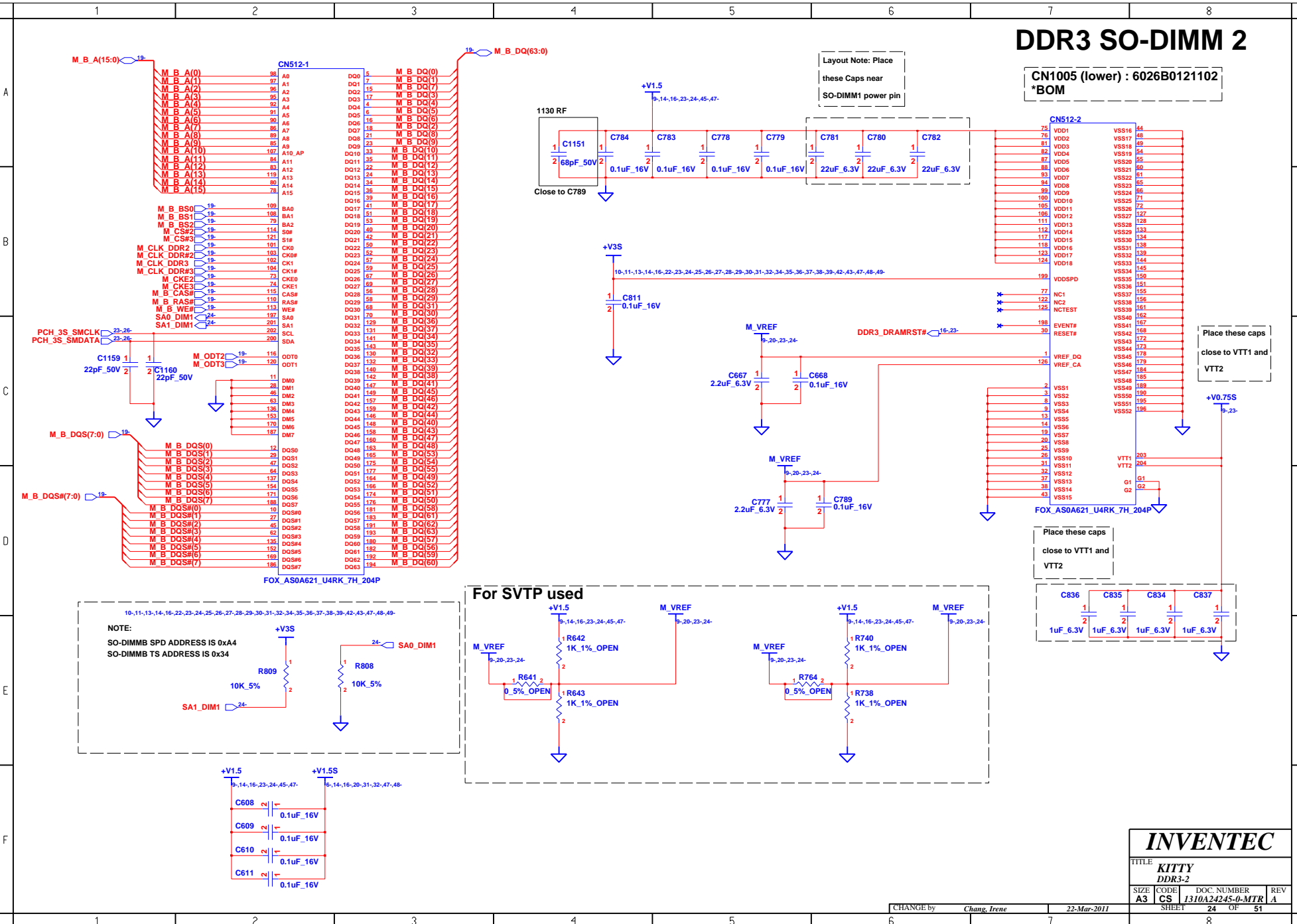
DDR3 SO-DIMM 2

CN1005 (lower) : 6026B0121102
*BOM

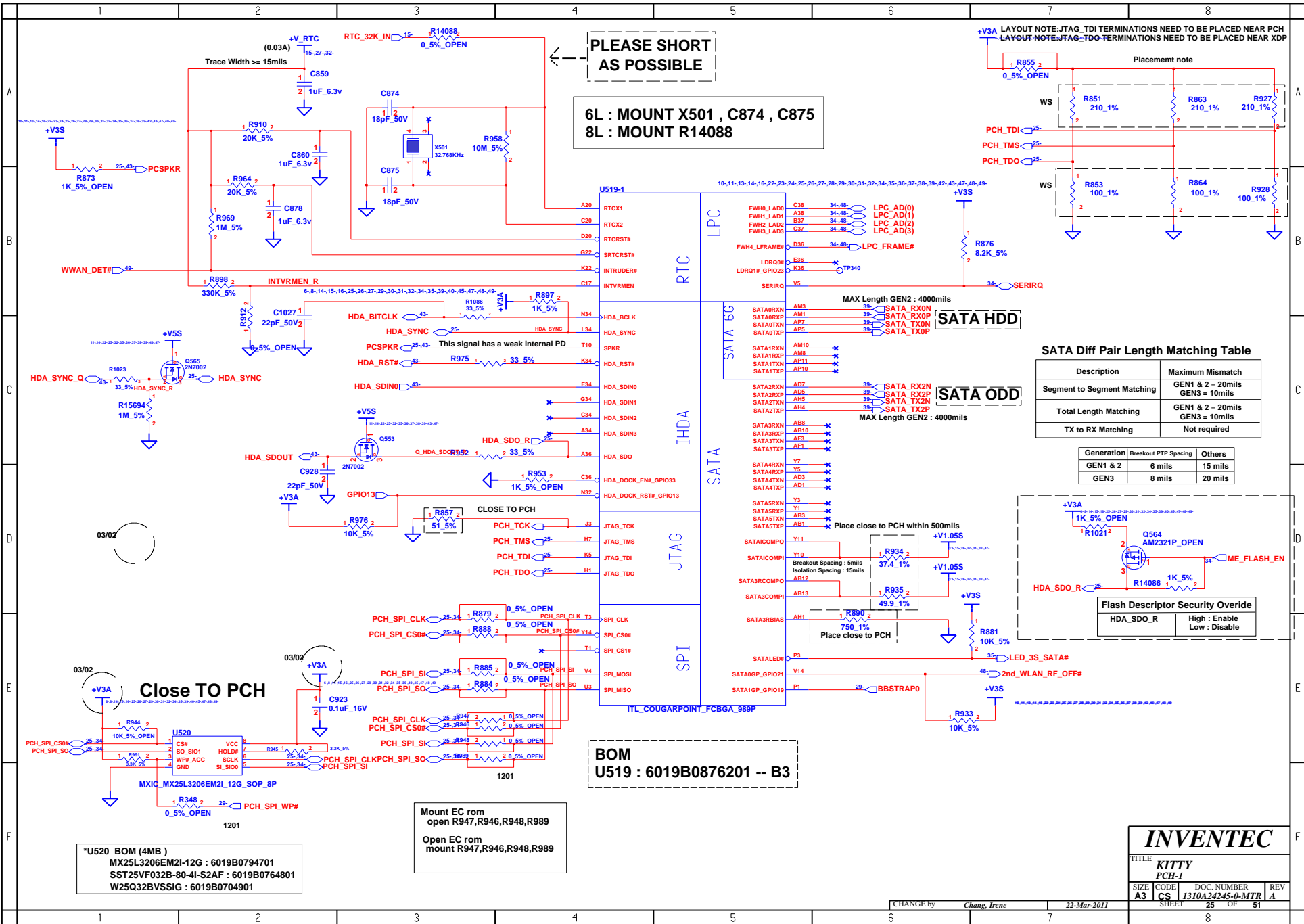
Layout Note: Place these Caps near SO-DIMM1 power pin

Place these caps close to VTT1 and VTT2

Place these caps close to VTT1 and VTT2



INVENTEC				
TITLE KITTY DDR3-2				
SIZE A3	CODE CS	DOC. NUMBER 1310A24245-0-MTR	REV A	
CHANGE by <i>Chang, Irene</i>		22-Mar-2011		SHEET 24 OF 51

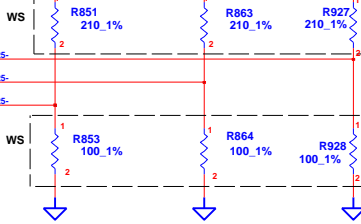


PLEASE SHORT AS POSSIBLE

6L : MOUNT X501 , C874 , C875
8L : MOUNT R14088

LAYOUT NOTE: JTAG_TDI TERMINATIONS NEED TO BE PLACED NEAR PCH
LAYOUT NOTE: JTAG_TDO TERMINATIONS NEED TO BE PLACED NEAR XDP

Placement note



SATA HDD

SATA ODD

SATA Diff Pair Length Matching Table

Description	Maximum Mismatch
Segment to Segment Matching	GEN1 & 2 = 20mils GEN3 = 10mils
Total Length Matching	GEN1 & 2 = 20mils GEN3 = 10mils
TX to RX Matching	Not required

Generation	Breakout PTP Spacing	Others
GEN1 & 2	6 mils	15 mils
GEN3	8 mils	20 mils

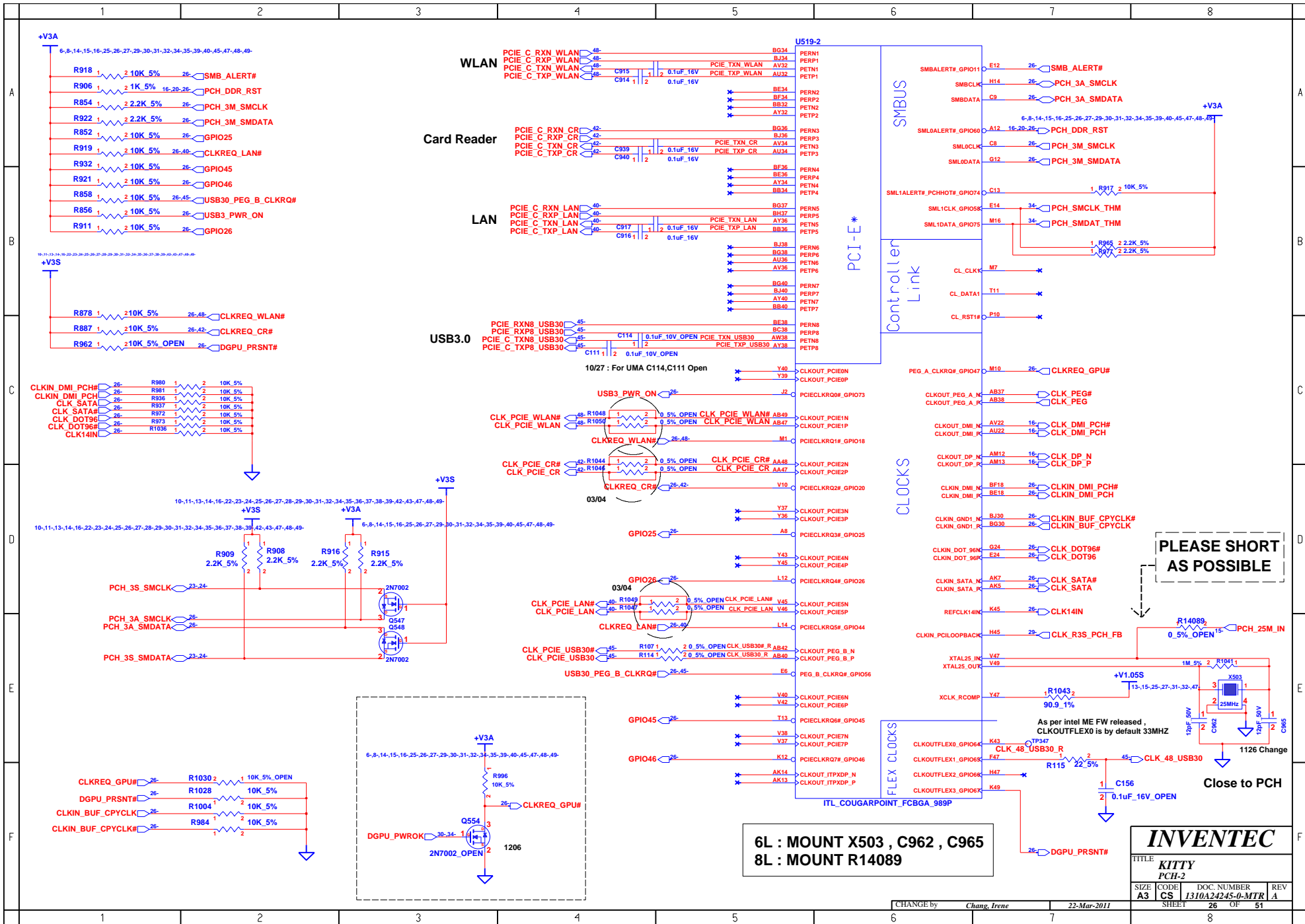
Flash Descriptor Security Override
HDA_SDO_R High : Enable
Low : Disable

BOM
U519 : 6019B0876201 -- B3

Close TO PCH

Mount EC rom
open R947,R946,R948,R989
Open EC rom
mount R947,R946,R948,R989

*U520 BOM (4MB)
MX25L3206EM21-12G : 6019B0794701
SST25VF032B-80-4I-S2AF : 6019B0764801
W25Q32BVSSIG : 6019B0704901

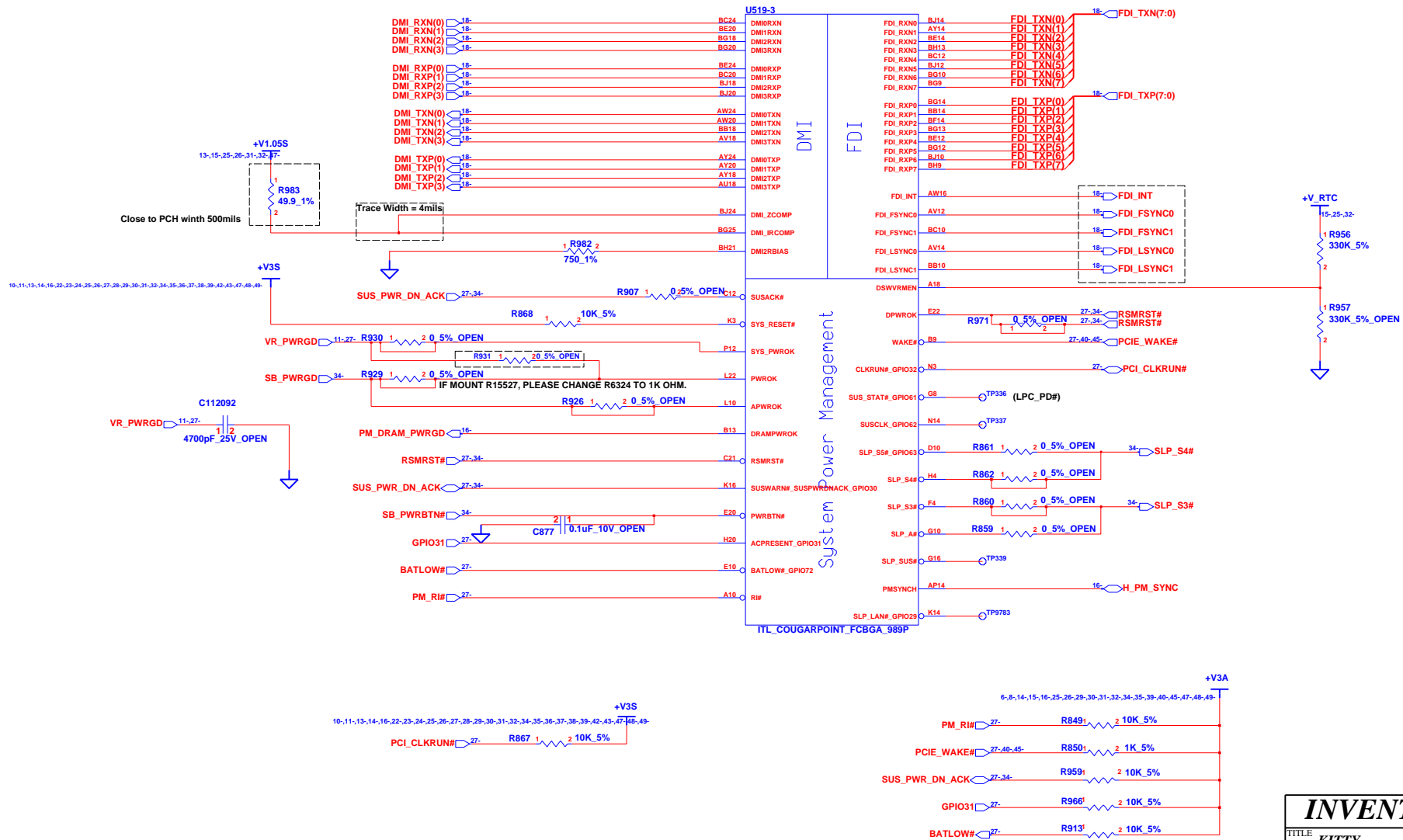


PLEASE SHORT AS POSSIBLE

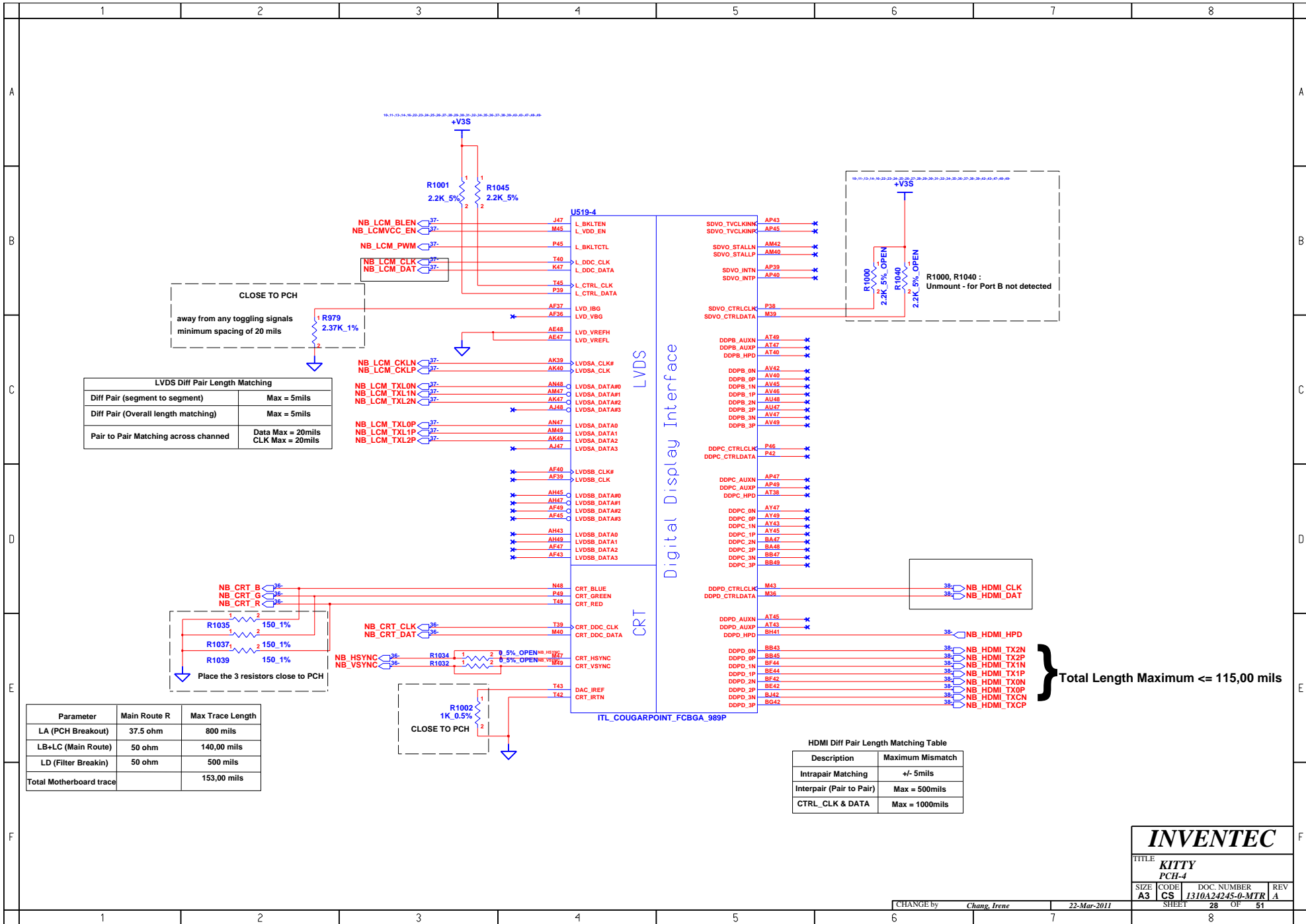
**6L : MOUNT X503 , C962 , C965
8L : MOUNT R14089**

INVENTEC			
TITLE KITTY PCH-2			
SIZE A3	CODE CS	DOC NUMBER 1310A24245-0-MTR	REV A
CHANGE by Chang, Irene		22-Mar-2011	
SHEET 26		OF 51	

Note: 1.SLP_SUS and SUSACK# are NC if DSW is not supported
 2.DPWROK should connect to RSMRST# if DSW not supported
 3.PCH_DPWROK pull up to +V3S enables DSW support. No install R5261 to disable DSW



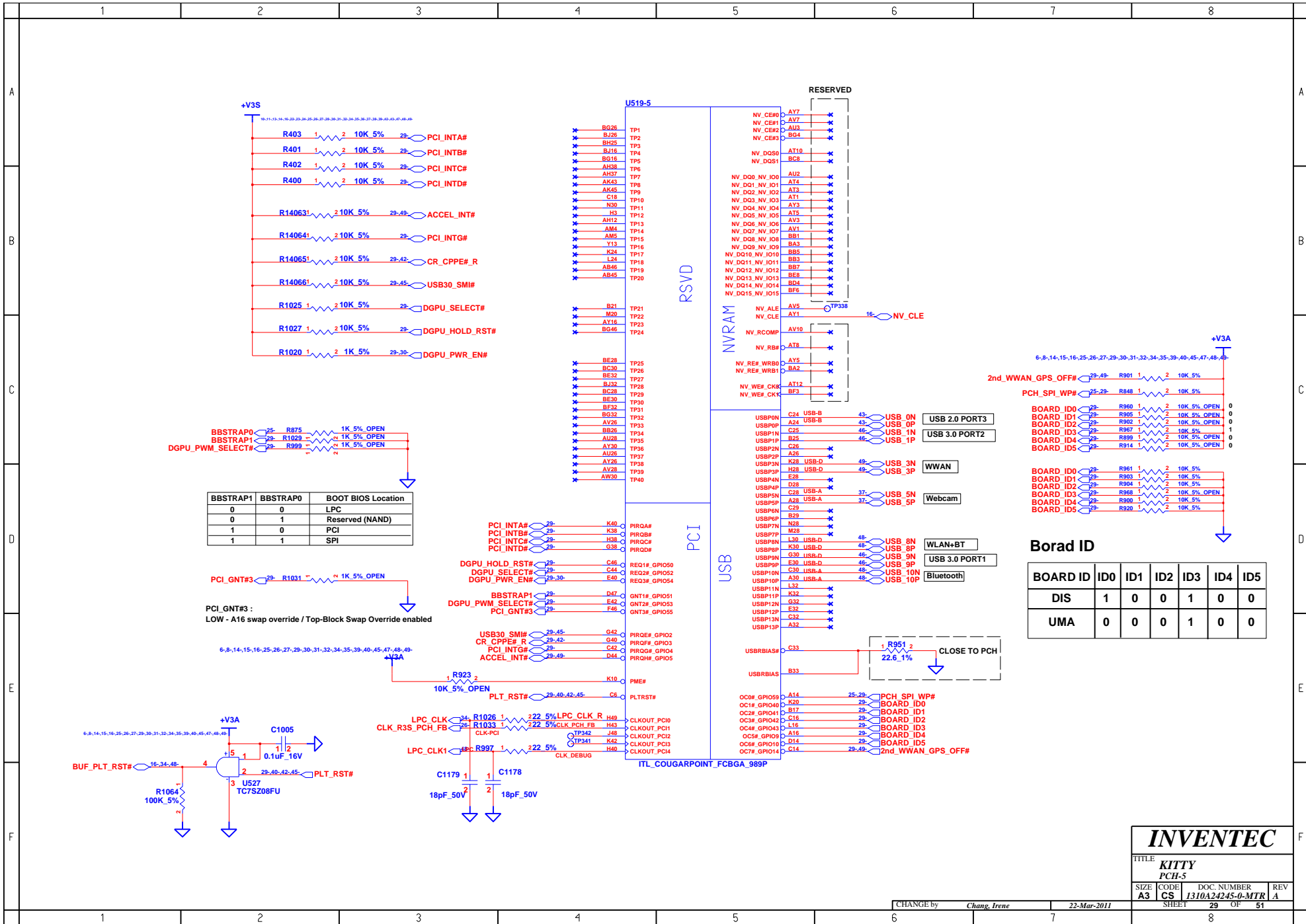
INVENTEC			
TITLE KITTY PCH-3			
SIZE A3	CODE CS	DOC. NUMBER 1310A24245-0-MTR	REV A
CHANGE by <i>Chang, Irene</i>		22-Mar-2011	
SHEET 27		OF 51	



INVENTEC

TITLE
KITTY
PCH-4

Total Length Maximum <= 115,00 mils

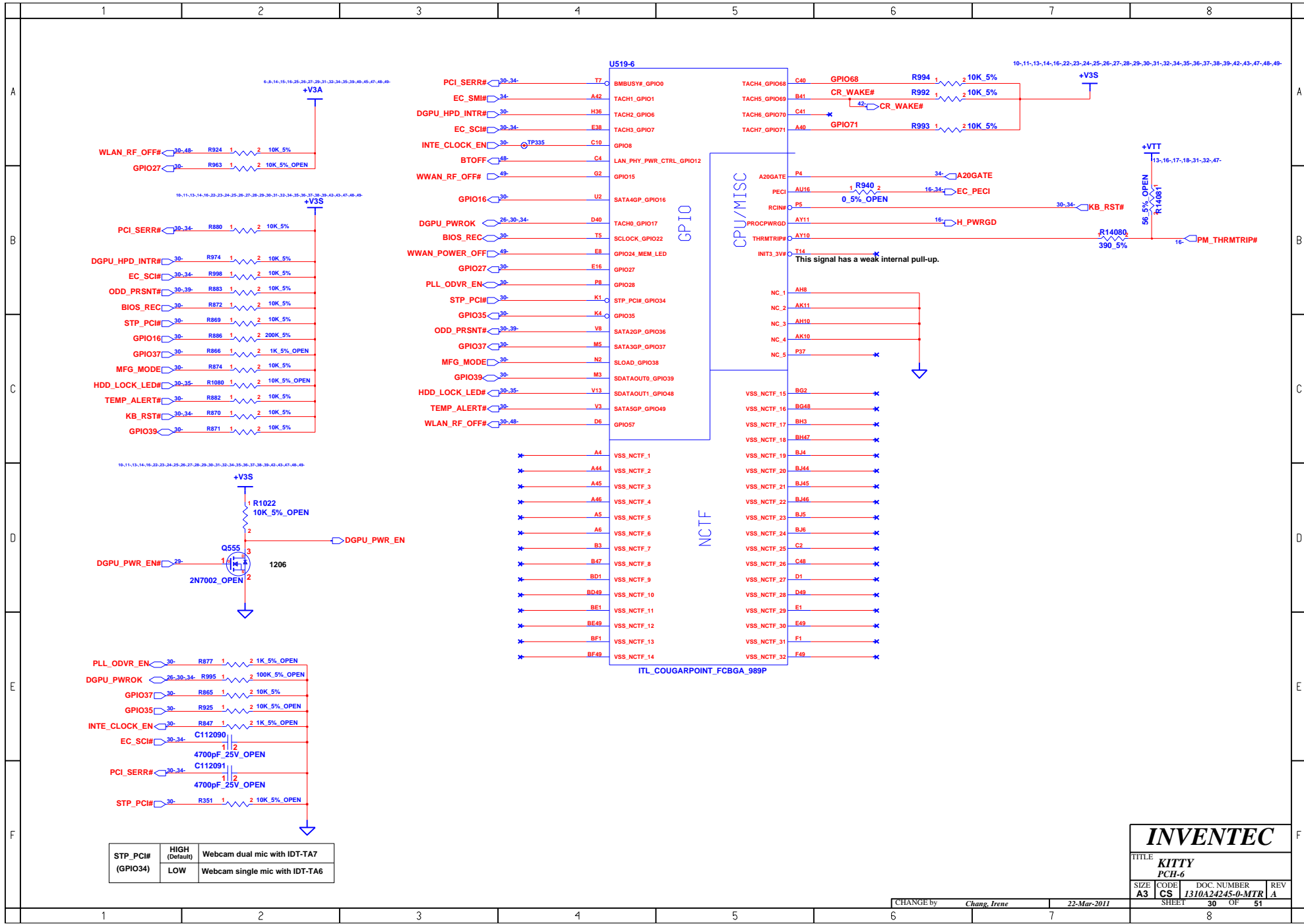


BBSTRAP1	BBSTRAP0	BOOT BIOS Location
0	0	LPC
0	1	Reserved (NAND)
1	0	PCI
1	1	SPI

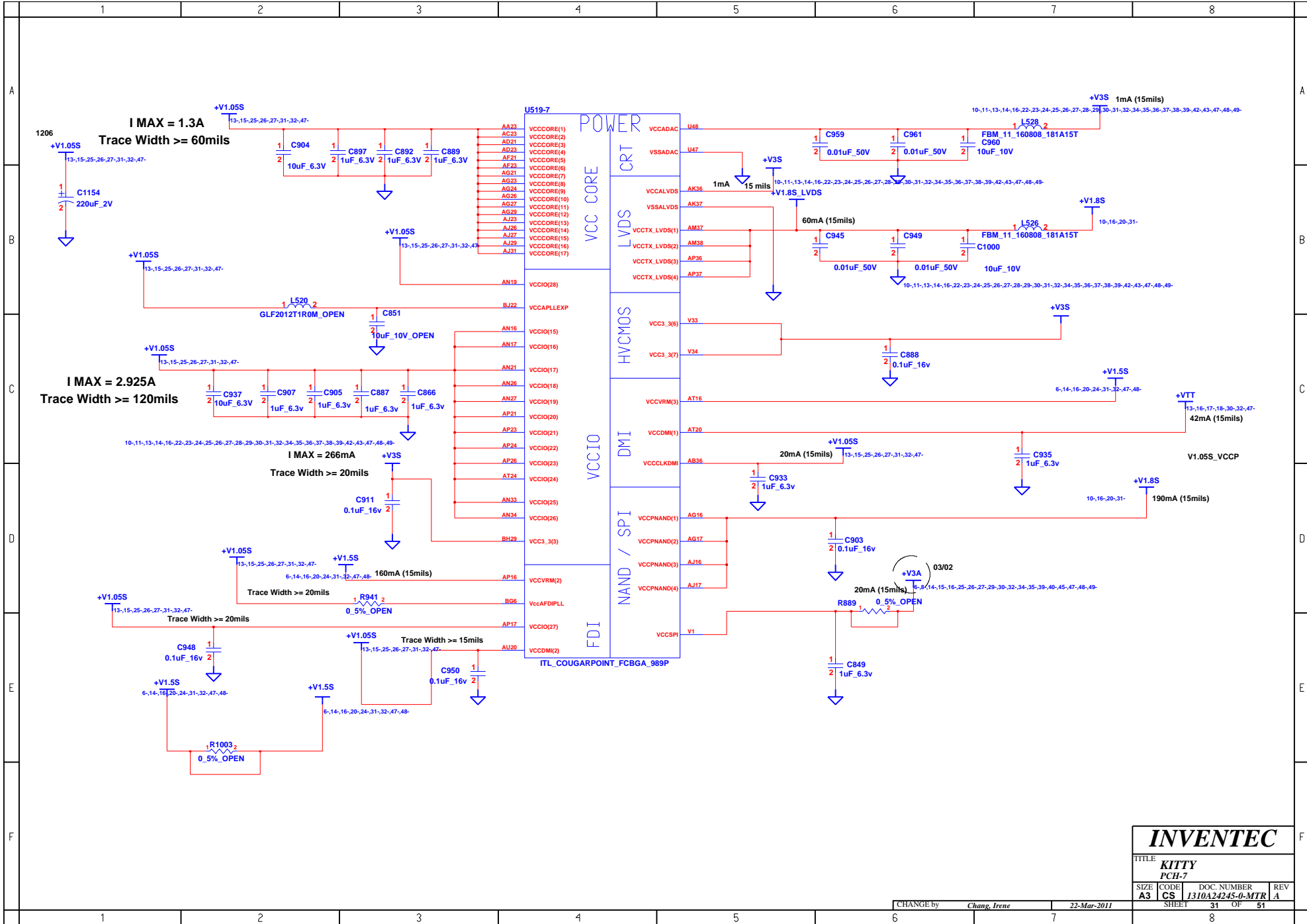
Borad ID

BOARD ID	ID0	ID1	ID2	ID3	ID4	ID5
DIS	1	0	0	1	0	0
UMA	0	0	0	1	0	0

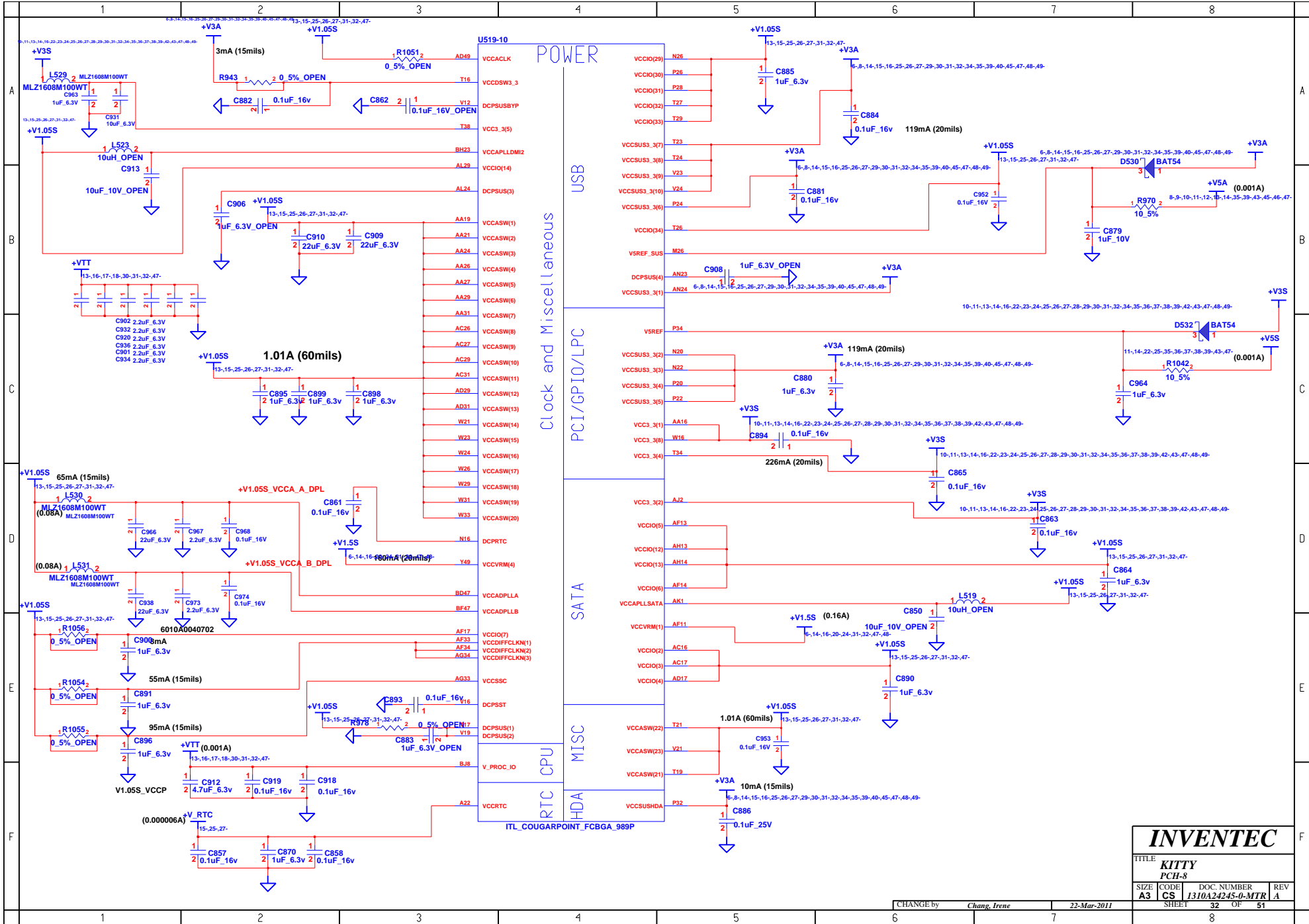
INVENTEC			
TITLE KITTY PCH-5			
SIZE A3	CODE CS	DOC. NUMBER 1310A24245-0-MTR	REV A
CHANGE by <i>Chang, Irene</i>		22-Mar-2011	
SHEET 29		OF 51	



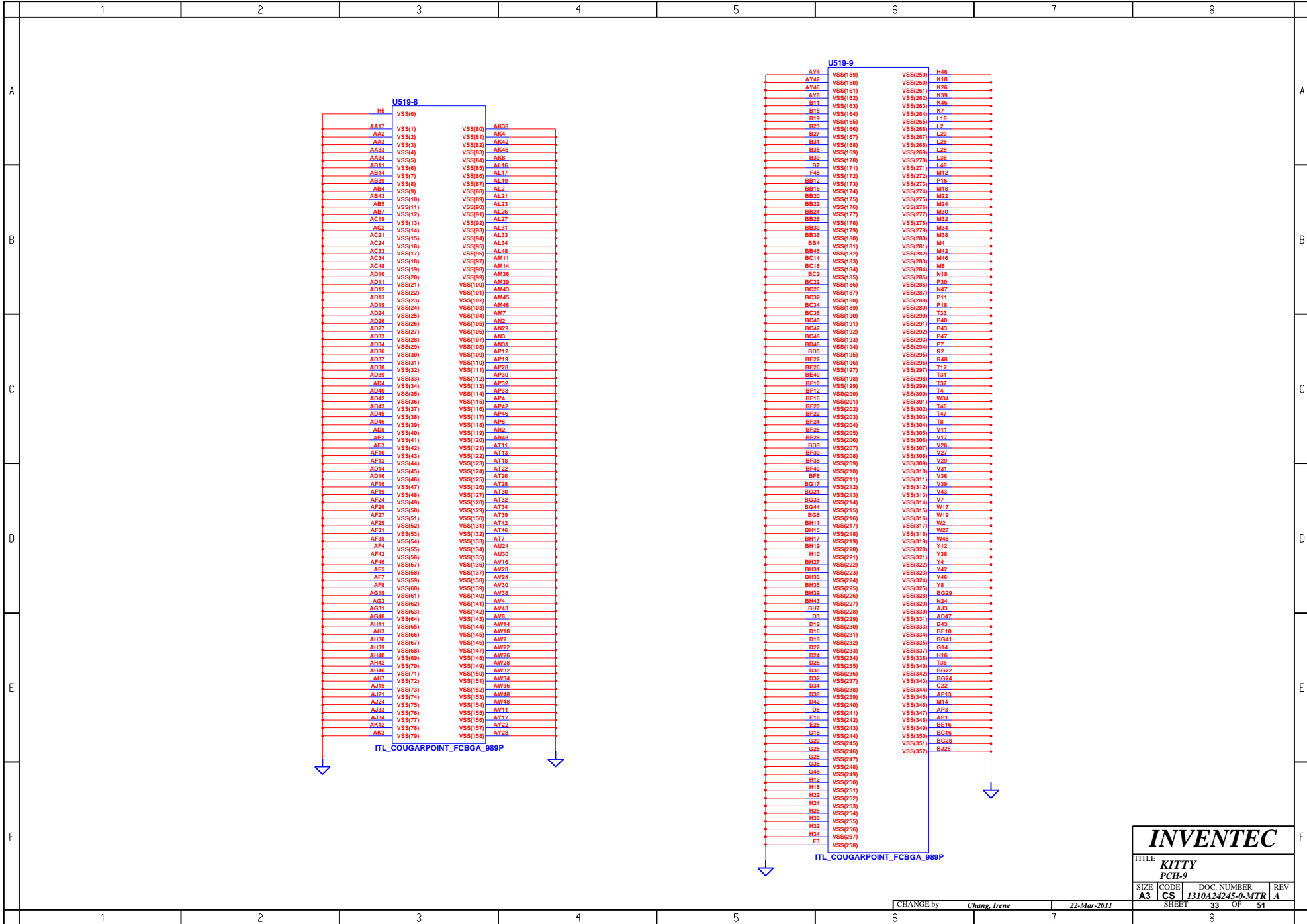
INVENTEC			
TITLE KITTY PCH-6			
SIZE A3	CODE CS	DOC. NUMBER 1310A24245-0-MTR	REV A
CHANGE by <i>Chang, Irene</i>		22-Mar-2011	
SHEET 30		OF 51	



INVENTEC			
TITLE KITTY PCH-7			
SIZE A3	CODE CS	DOC. NUMBER 1310A24245-0-MTR	REV A
CHANGE by Chang, Irene		22-Mar-2011	
SHEET 31		OF 51	



INVENTEC			
TITLE KITTY PCH-8			
SIZE A3	CODE CS	DOC. NUMBER I310A24245-0-MTR	REV A
CHANGE by <i>Chang, Irene</i>		22-Mar-2011	
SHEET 32		OF 51	



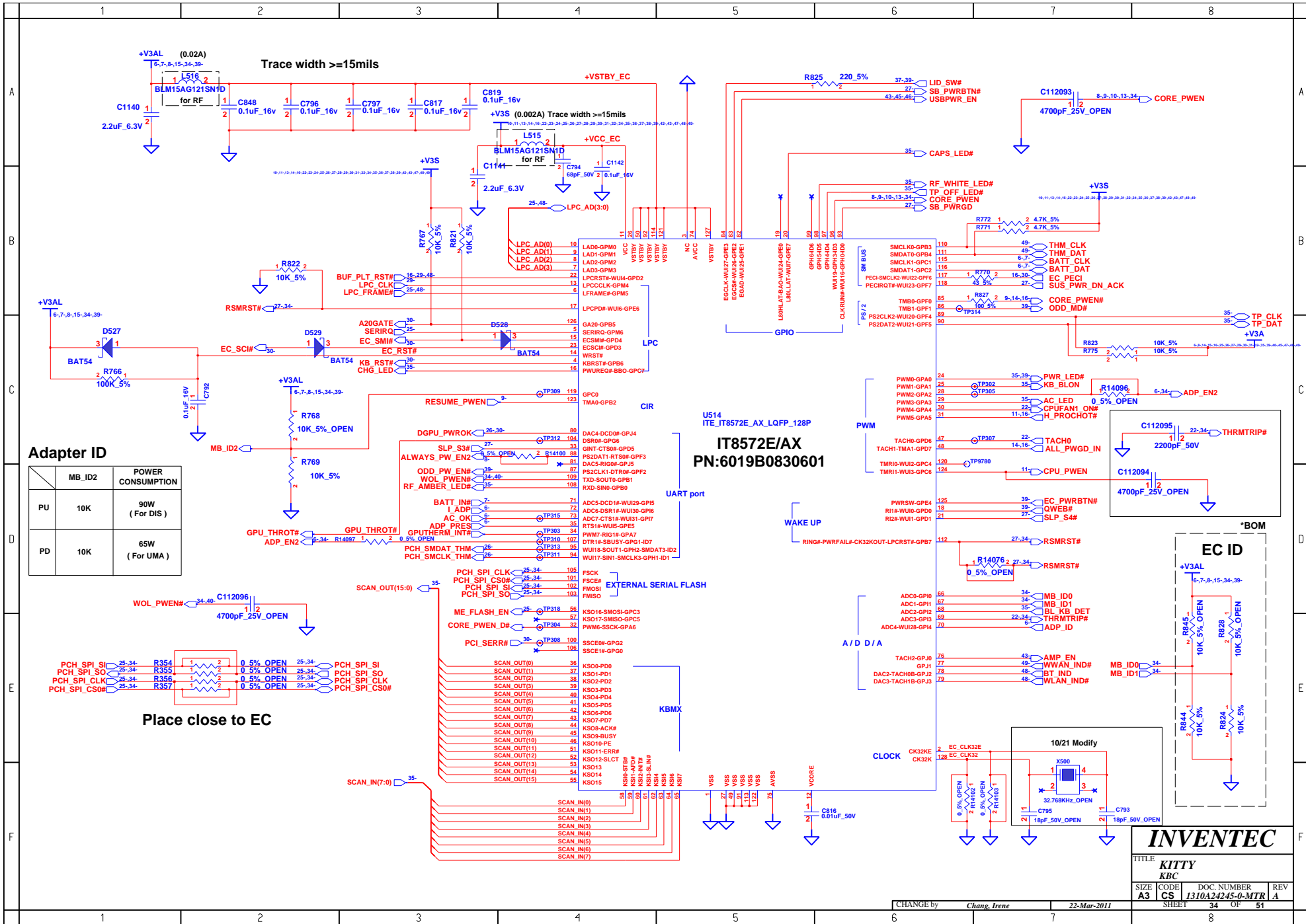
INVENTEC

TITLE
KITTY
PCH-9

SIZE	CODE	DOC. NUMBER	REV
A3	CS	1310A24245-0-MTR	A

SHEET 33 OF 51

CHANGE by *Chang, Irene* 22-Mar-2011



Adapter ID

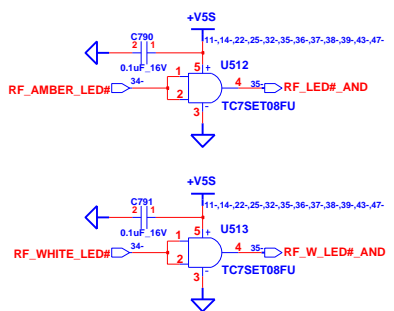
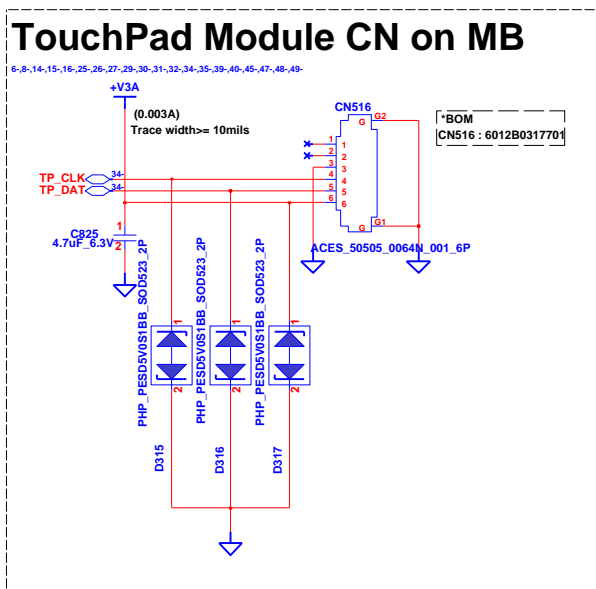
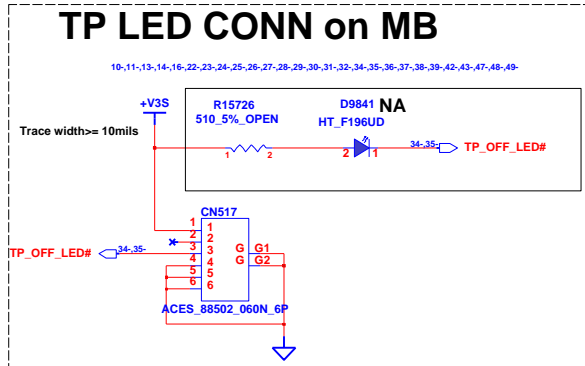
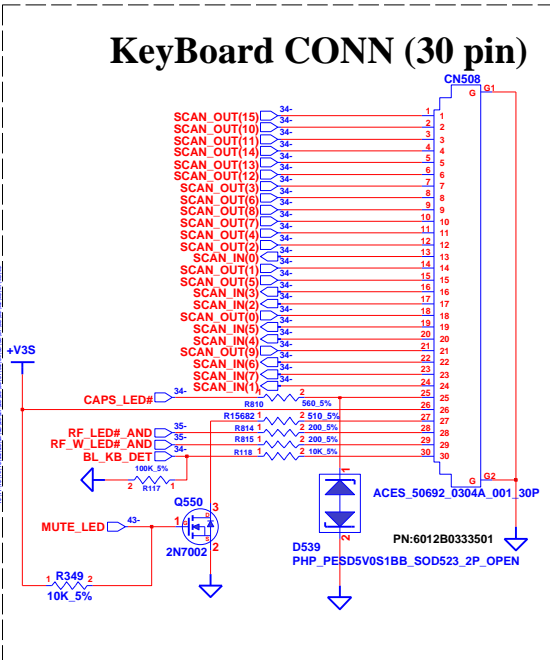
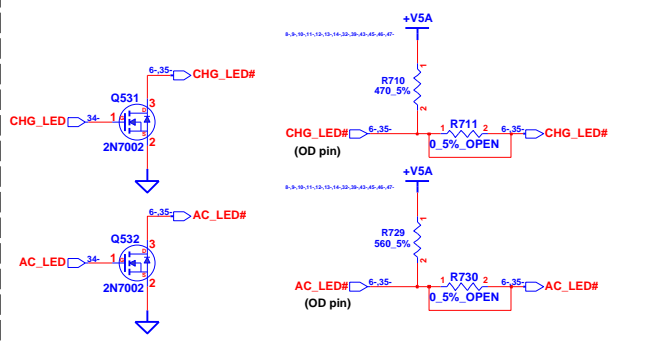
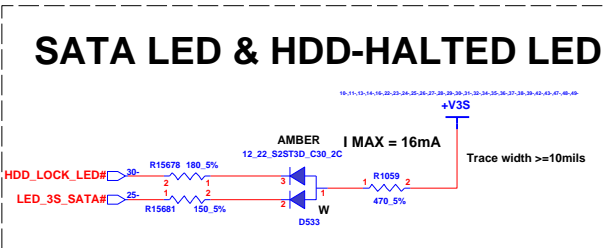
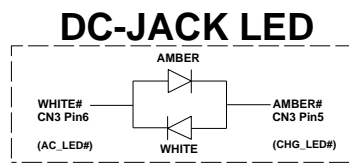
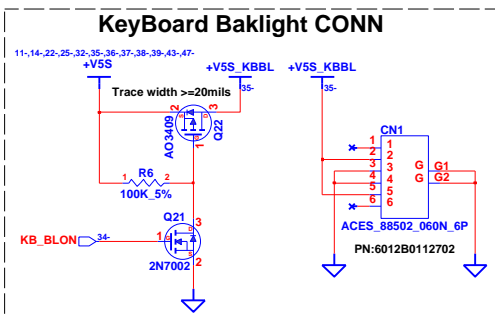
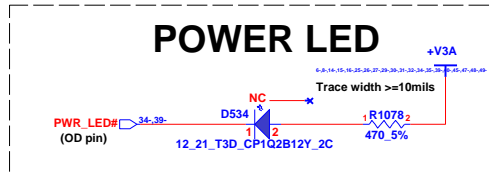
	MB_ID2	POWER CONSUMPTION
PU	10K	90W (For DIS)
PD	10K	65W (For UMA)

Place close to EC

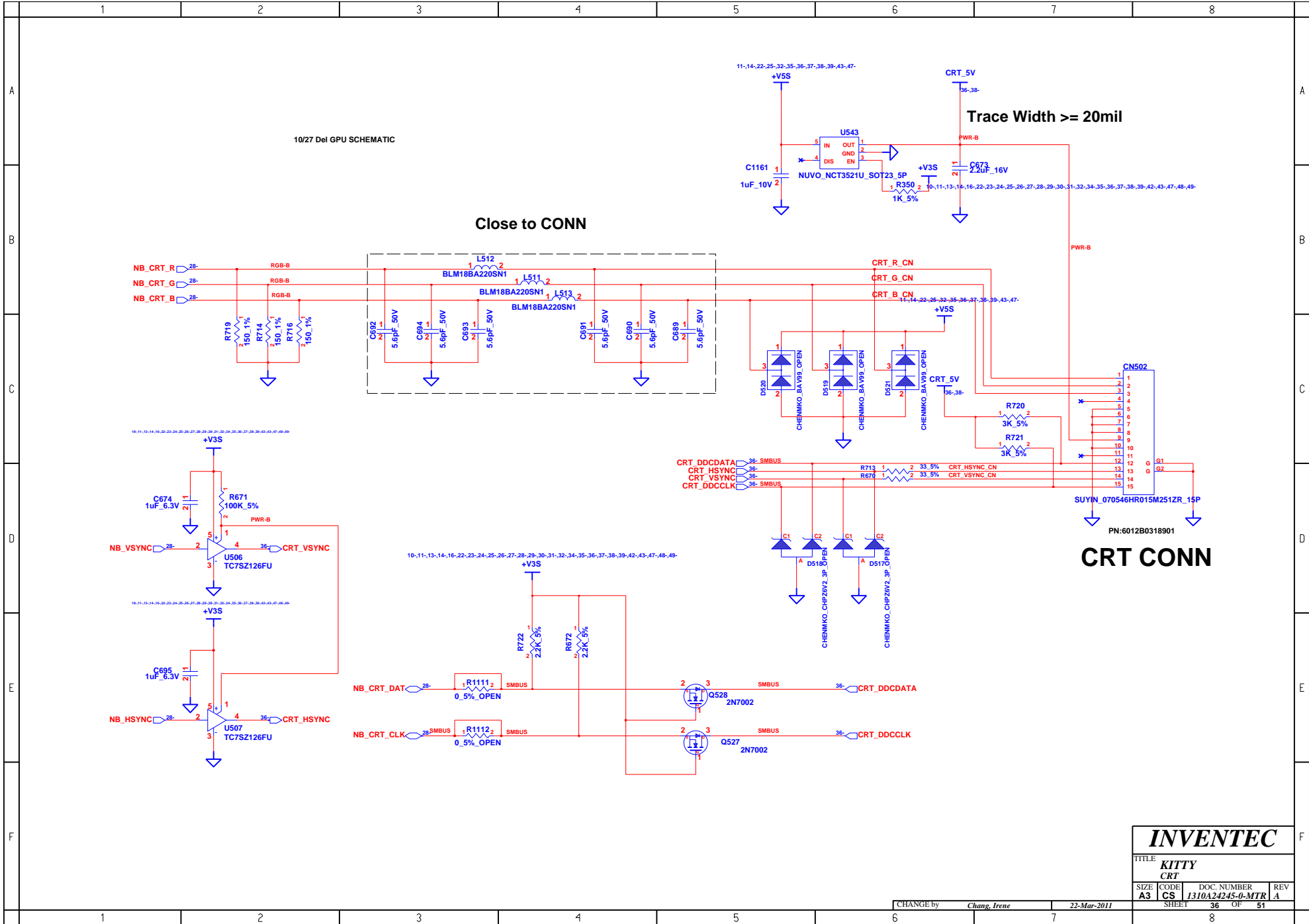
INVENTEC

TITLE KITTY			
KBC			
SIZE A3	CODE CS	DOC. NUMBER 1310A24245-0-MTR	REV A
SHEET 34		OF 51	

CHANGE by *Chang, Irene* 22-Mar-2011



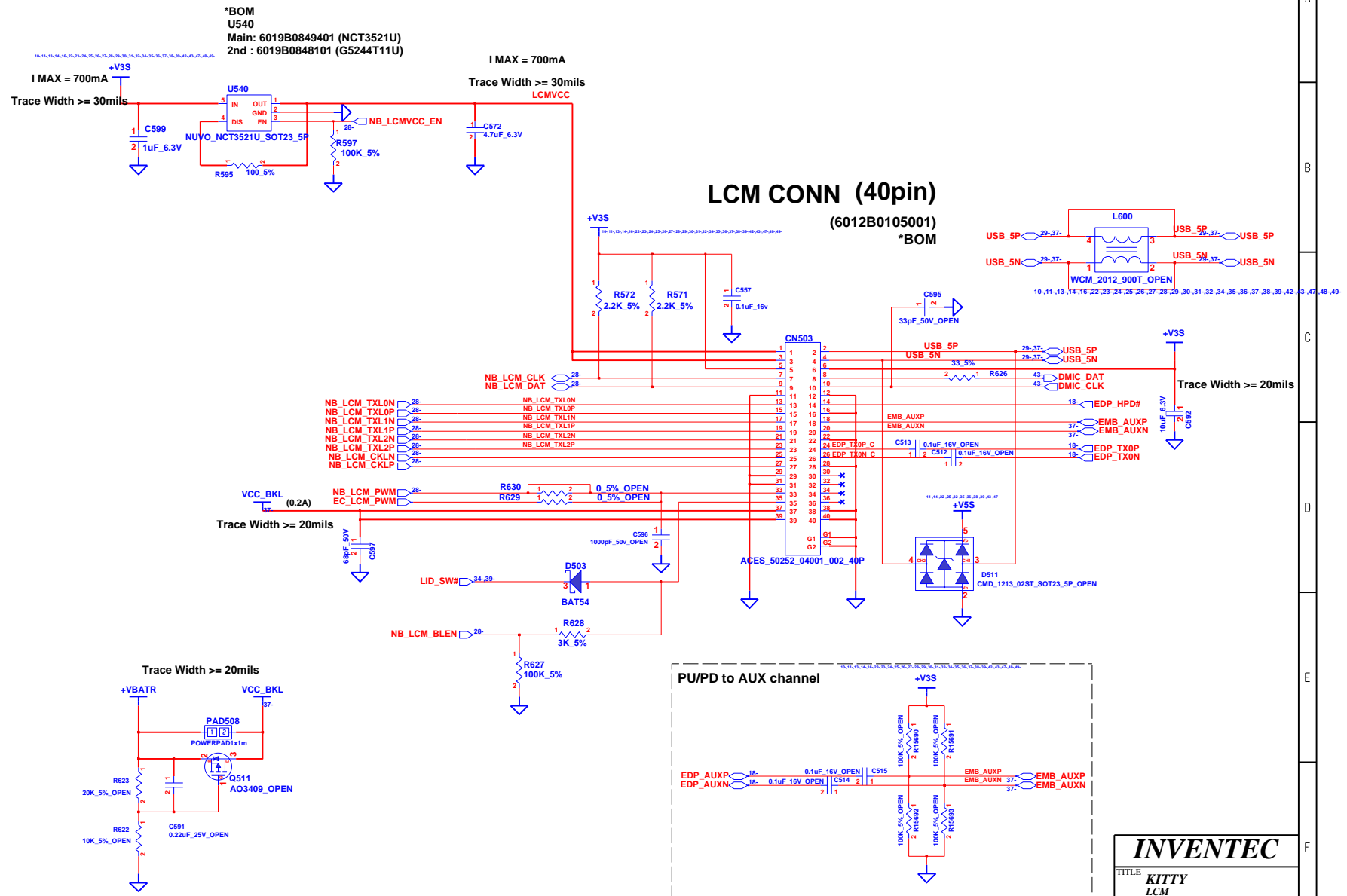
INVENTEC			
TITLE: KITTY			
Keyboard & TouchPad			
SIZE: A3	CODE: CS	DOC NUMBER: 1310A24245-0-MTR	REV: A
CHANGE by: <i>Chang, Irene</i>		22-Mar-2011	
SHEET: 35		OF: 51	



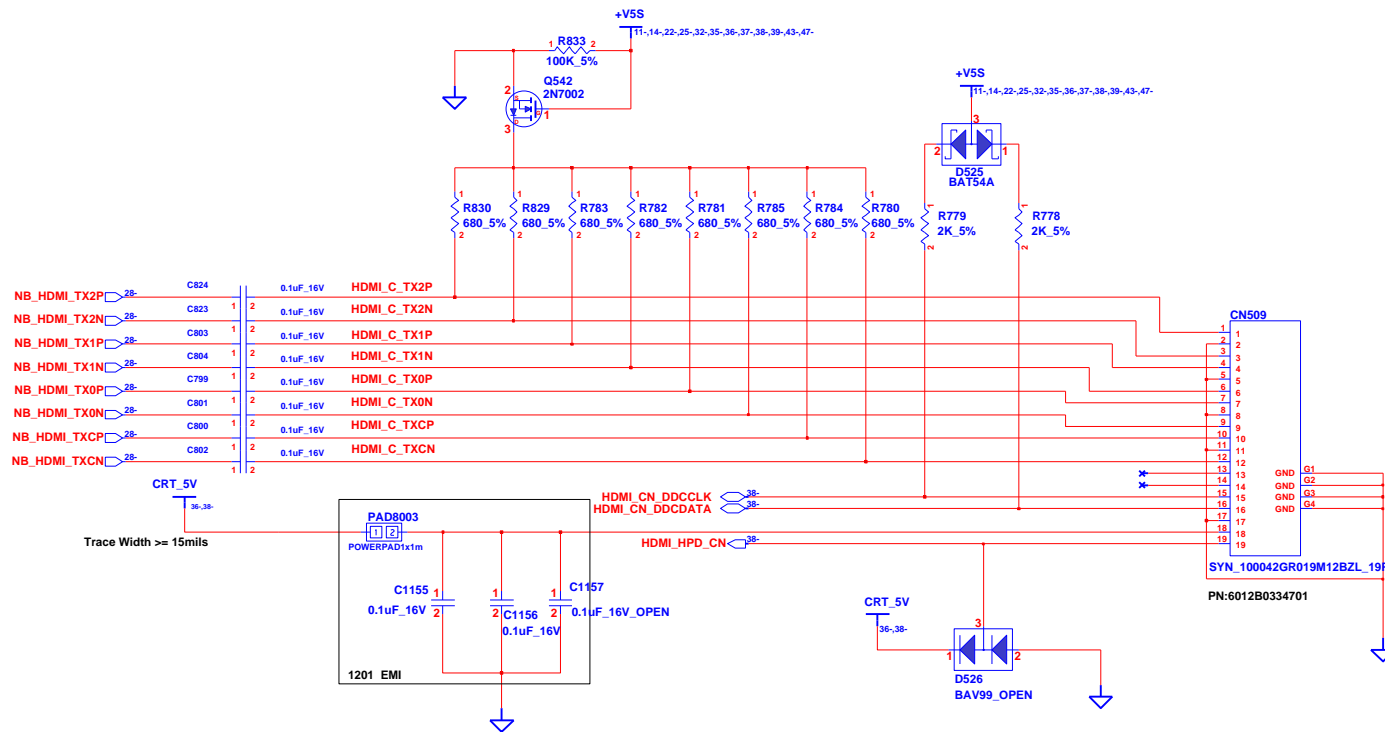
INVENTEC

TITLE			
KITTY			
CRT			
SIZE	CODE	DOC. NUMBER	REV
A3	CS	1310A24245-0-MTR	A
SHEET		36	OF 51

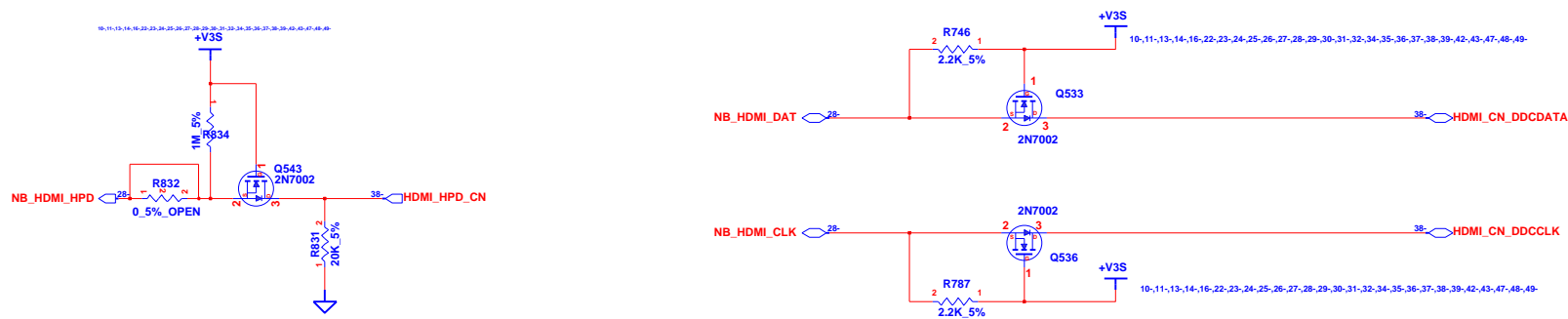
CHANGE by *Chang, Irene* 22-Mar-2011



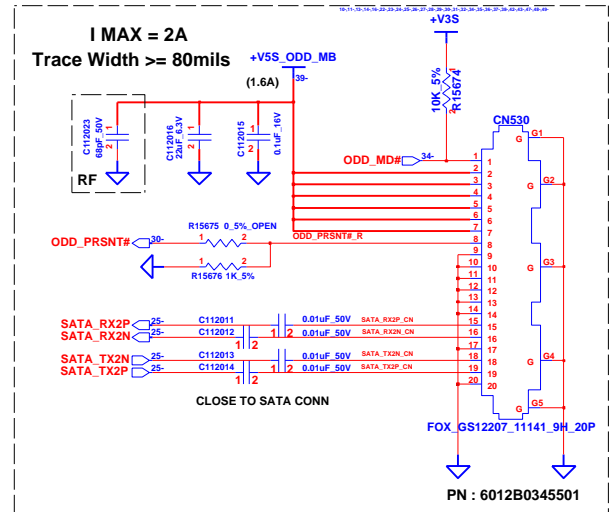
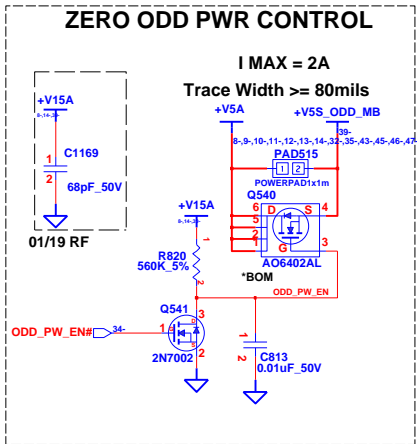
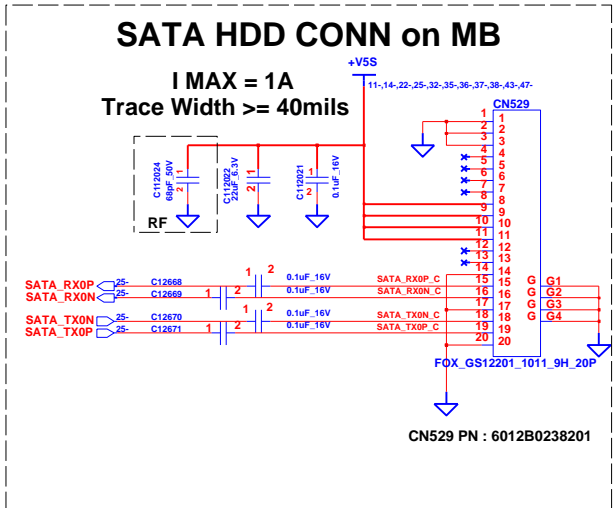
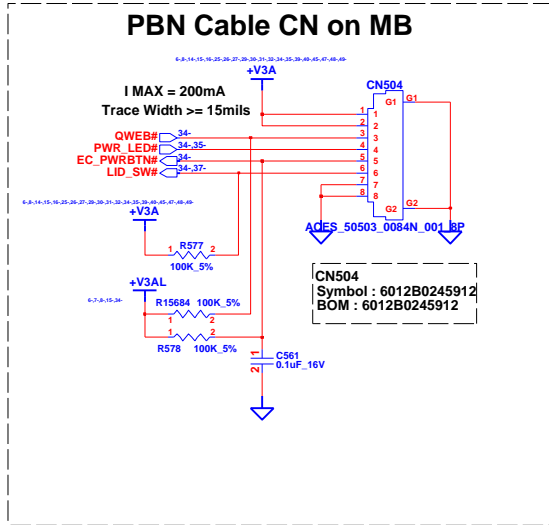
INVENTEC			
TITLE KITTY LCM			
SIZE A3	CODE CS	DOC. NUMBER 1310A24245-0-MTR	REV A
CHANGE by <i>Chang, Irene</i>		22-Mar-2011	
SHEET 37		OF 51	



HDMI CONN



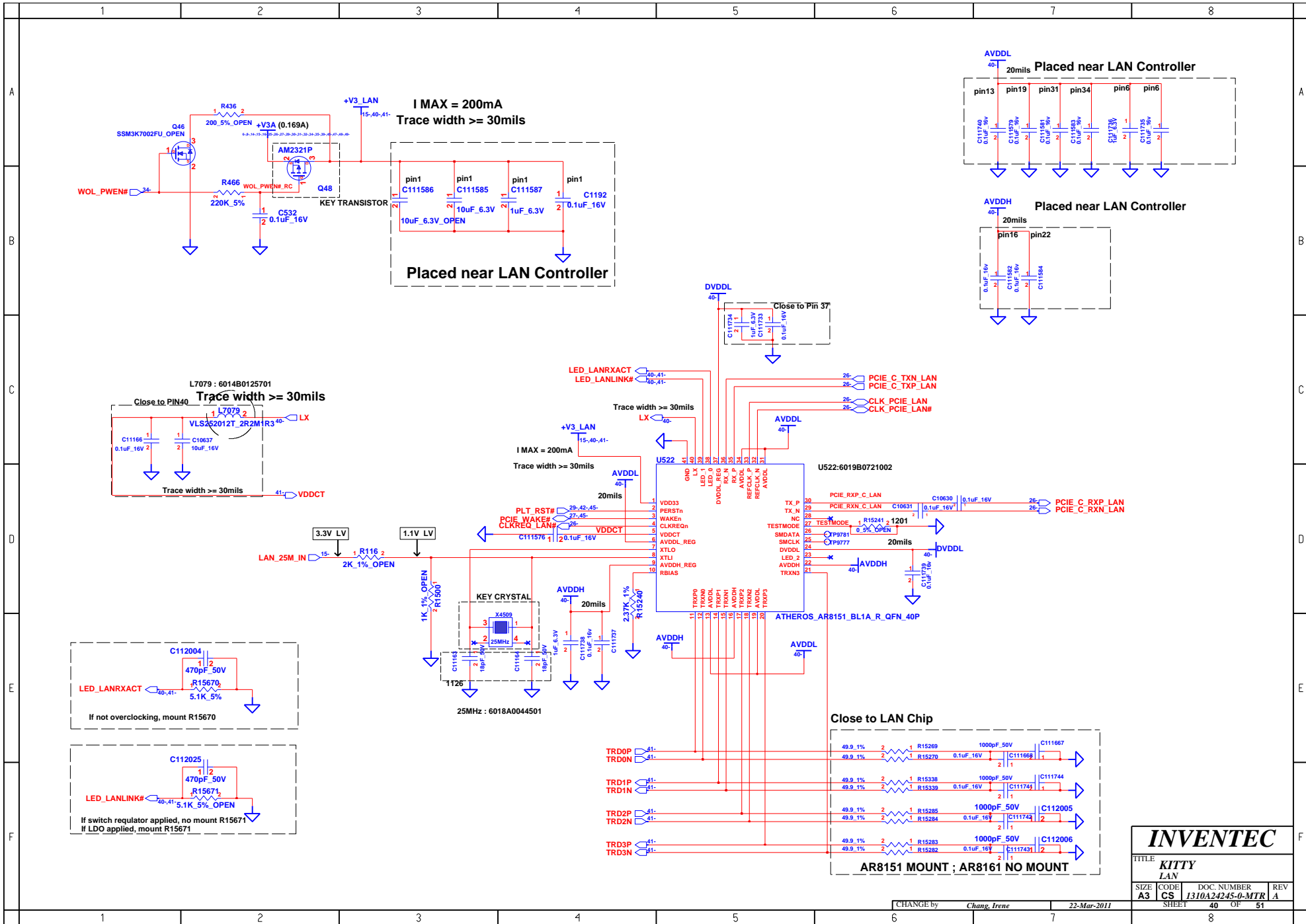
INVENTEC			
TITLE KITTY HDMI Level-Shift			
SIZE A3	CODE CS	DOC NUMBER 1310A24245-0-MTR	REV A
CHANGE by <i>Chang, Irene</i>		22-Mar-2011	
SHEET 38		OF 51	



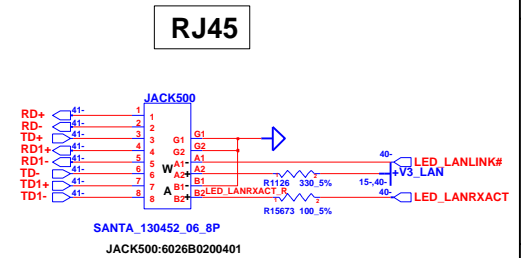
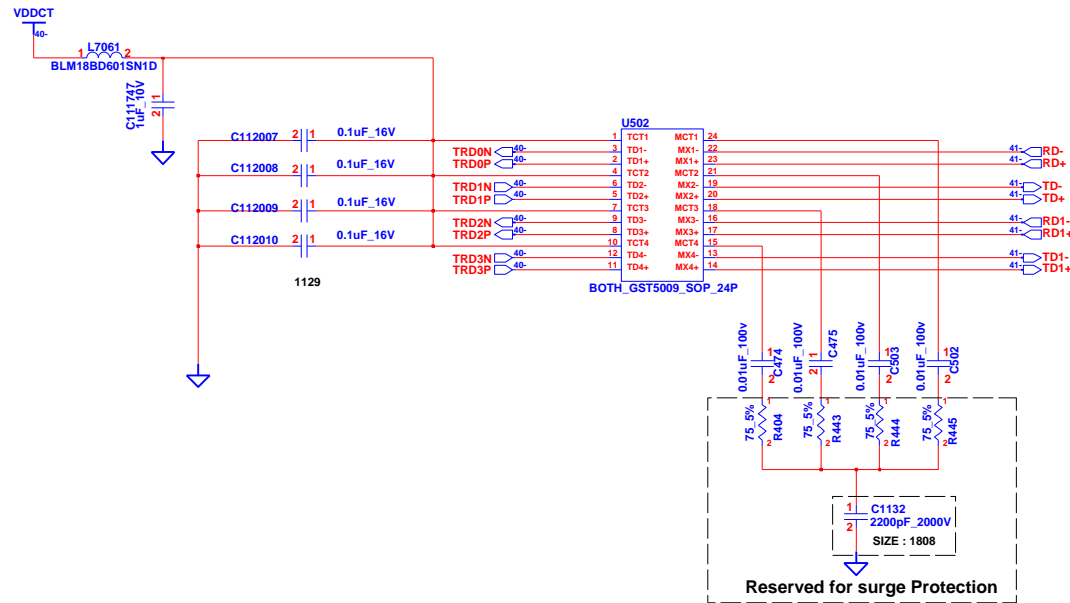
INVENTEC

TITLE			
KITTY			
SATA HDD & ODD			
SIZE	CODE	DOC. NUMBER	REV
A3	CS	1310A24245-0-MTR	A
SHEET		OF	51
39			

CHANGE by *Chang, Irene* 22-Mar-2011



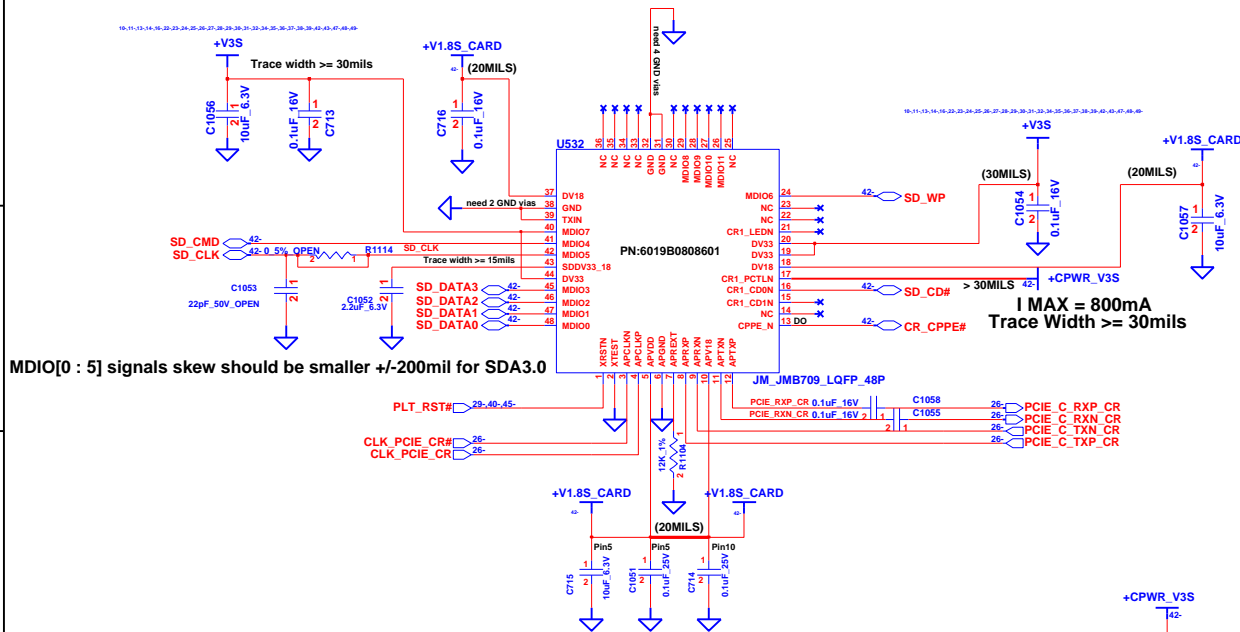
INVENTEC			
TITLE KITTY LAN			
SIZE A3	CODE CS	DOC. NUMBER 1310A24245-0-MTR	REV A
CHANGE by <i>Chang, Irene</i>		22-Mar-2011	
SHEET 40		OF 51	



LAYOUT NOTE : Place termination resistors and caps as close to LAN controller as possible

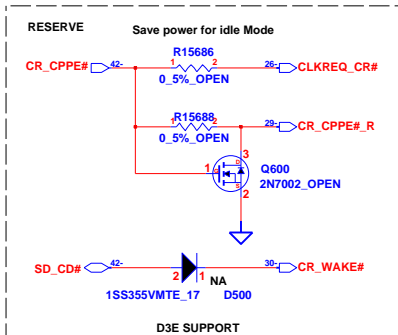
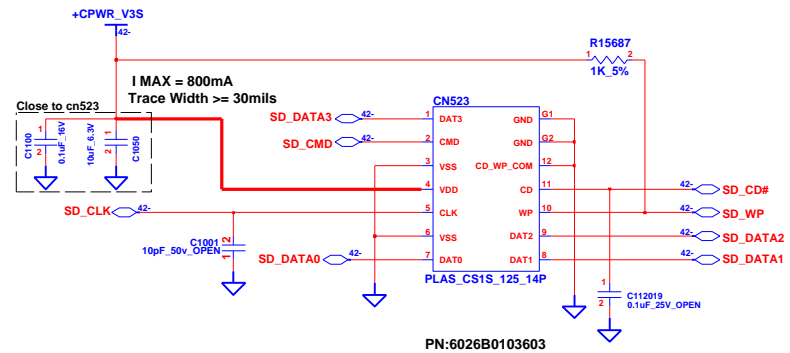
INVENTEC			
TITLE KITTY			
RJ-45			
SIZE A3	CODE CS	DOC. NUMBER 1310A24245-0-MTR	REV A
CHANGE by <i>Chang, Irene</i>		22-Mar-2011	
SHEET 41		OF 51	

Layout Note :
C1051 CLOSE TO PIN5 (Trace width/length : 11mils/<100mils)
C715 Close to C1051 (Trace width/length : 20mils/<40mils)
C714 close to pin10 (Trace width/length : 11mils/<100mils)
APREXT trace width/length : 12mils/<250mils
C1057 close to pin18 (Trace width/length : 12mils/<100mils for internal REG)



MDIO[0 : 5] signals skew should be smaller +/-200mil for SDA3.0

Card Reader CONN



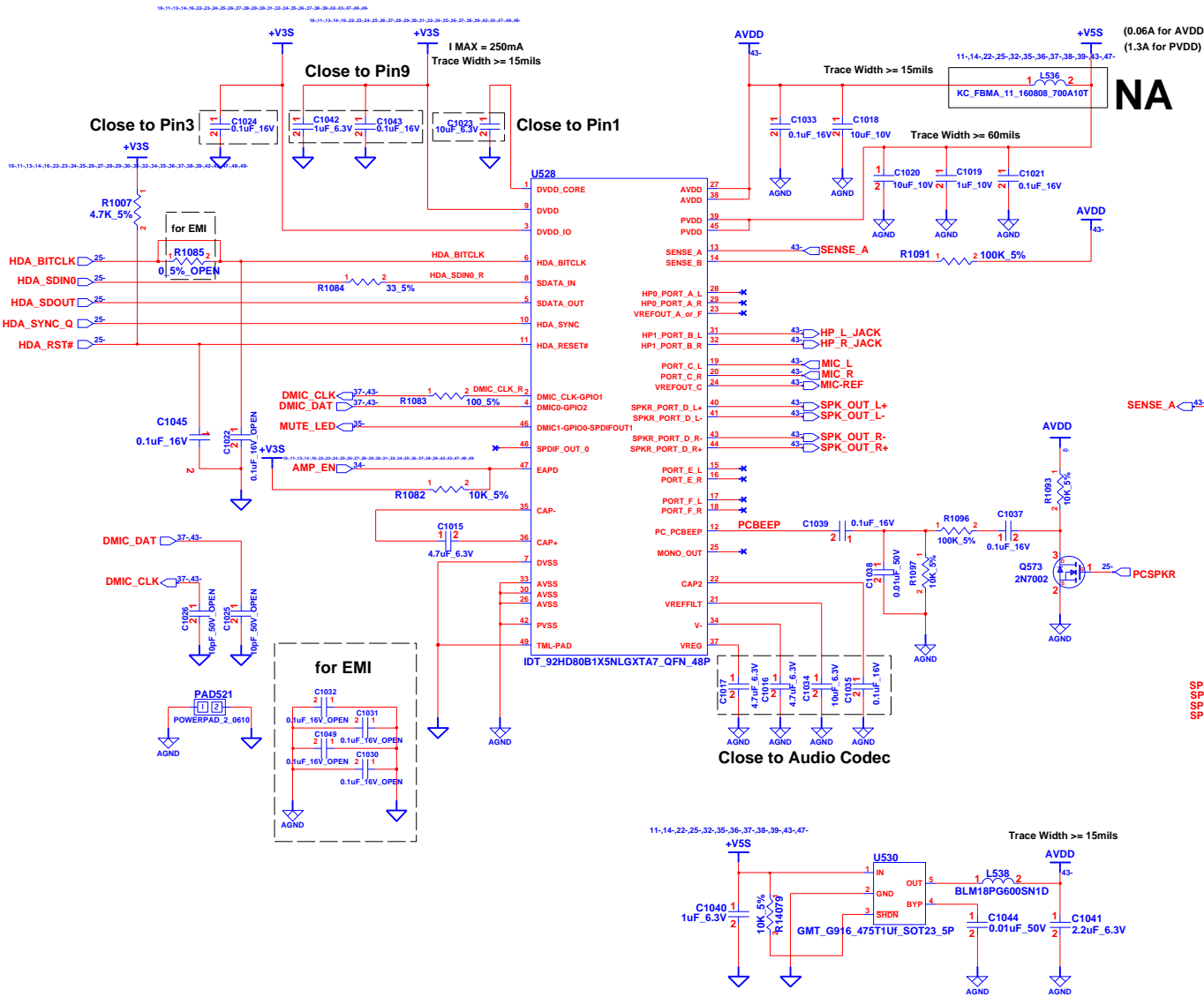
Note :
 1. Add Q600 & R15688 NA, if JMB709 power domain is different with SB.
 2. NA Q600 & mount R15688, if JMB709 power domain is same with SB.

INVENTEC

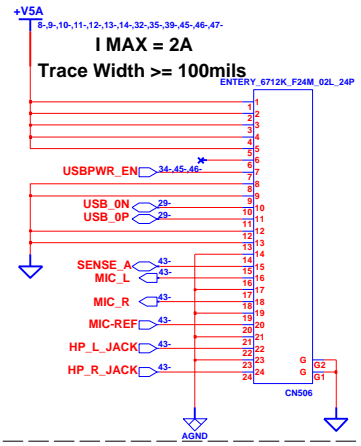
TITLE				
KITTY				
Card Reader				
SIZE	CODE	DOC. NUMBER	REV	
A3	CS	1310A24245-0-MTR	A	
SHEET			42	OF 51

CHANGE by *Chang, Irene* 22-Mar-2011

*BOM 6019B0825801

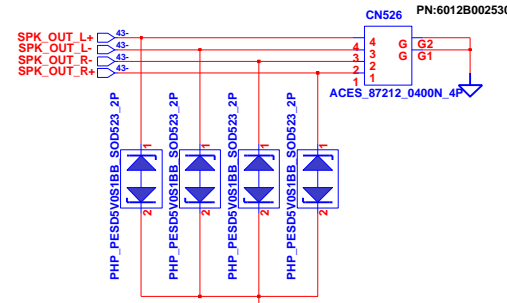


USB + AUDIO BOARD Cable on MB



PORT	Description	Sense
A	NO USE	
B	Headphone	HPS
C	Microphone	MICS
D	SPKR	
E	NO USE	
F	NO USE	

INT-SPEAKER CONN



INVENTEC

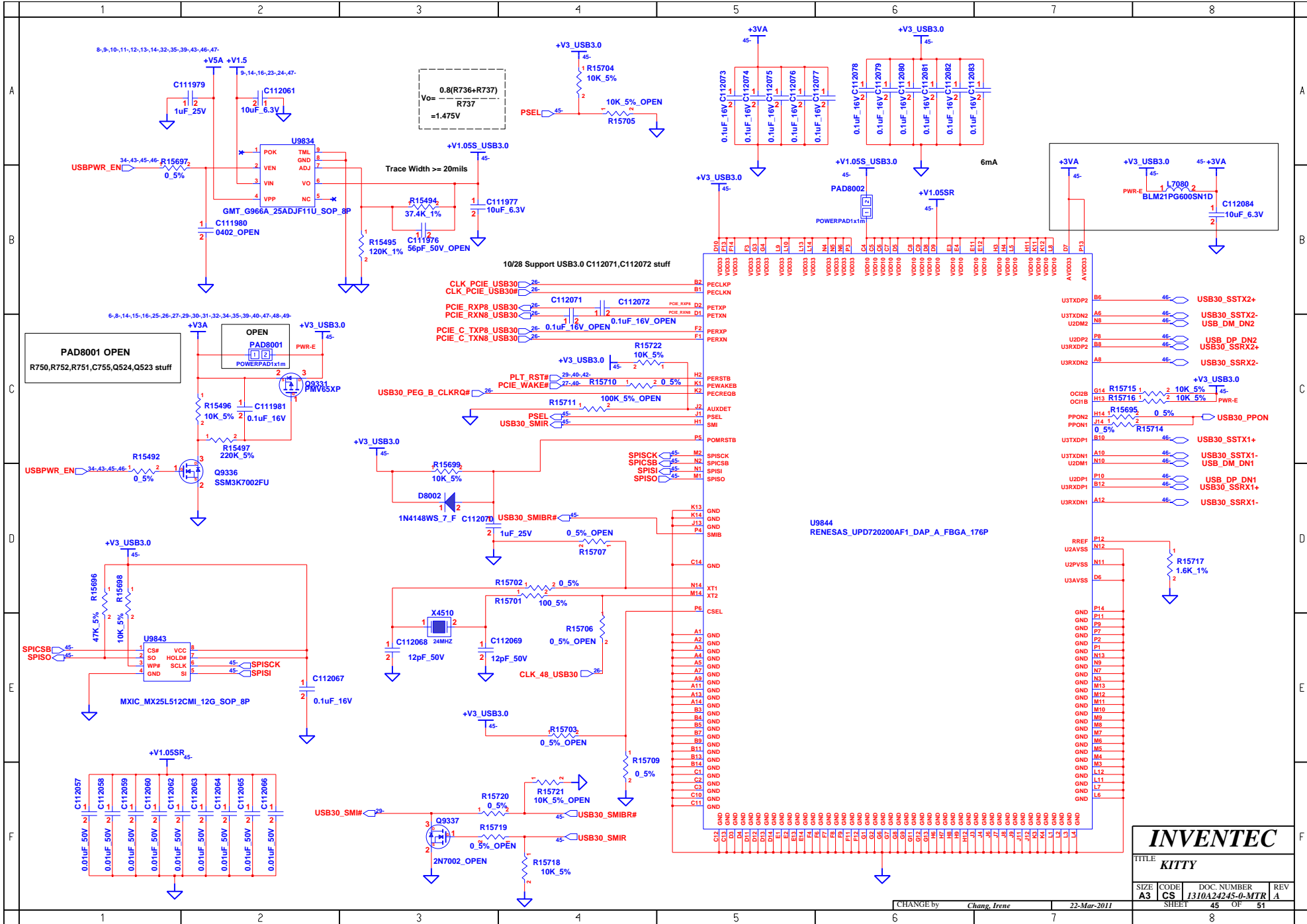
TITLE KITTY Audio Codec			
SIZE A3	CODE CS	DOC NUMBER 1310A2445-0-MTR	REV A
CHANGE by <i>Chang, Irene</i>		22-Mar-2011	
SHEET 43		OF 51	

	1	2	3	4	5	6	7	8	
A									A
B									B
C									C
D									D
E									E
F									F
	1	2	3	4	5	6	7	8	

INVENTEC

TITLE			
<i>KITTY</i>			
<i>HP JACK & MIC JACK</i>			
SIZE	CODE	DOC. NUMBER	REV
A3	CS	1310A24245-0-MTR	A
SHEET		44	OF 51

CHANGE by *Chang, Irene* 22-Mar-2011



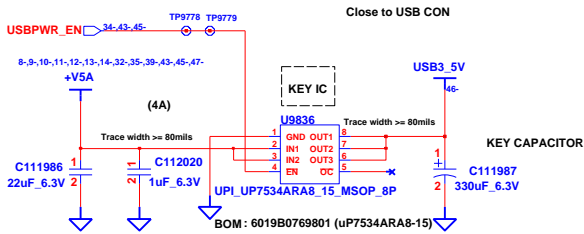
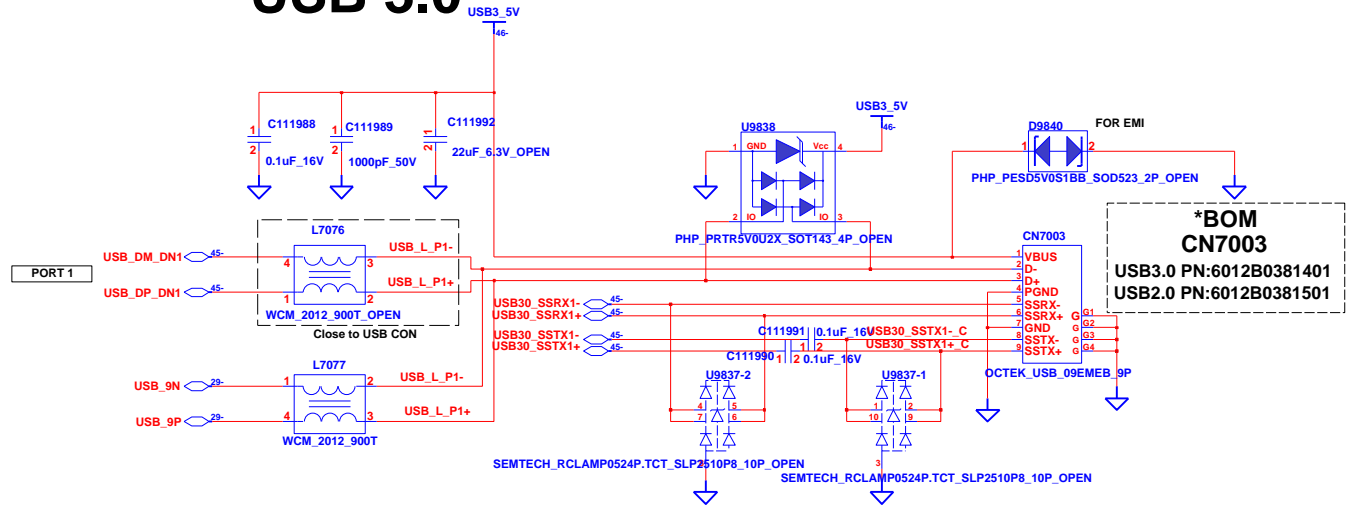
INVENTEC

TITLE **KITTY**

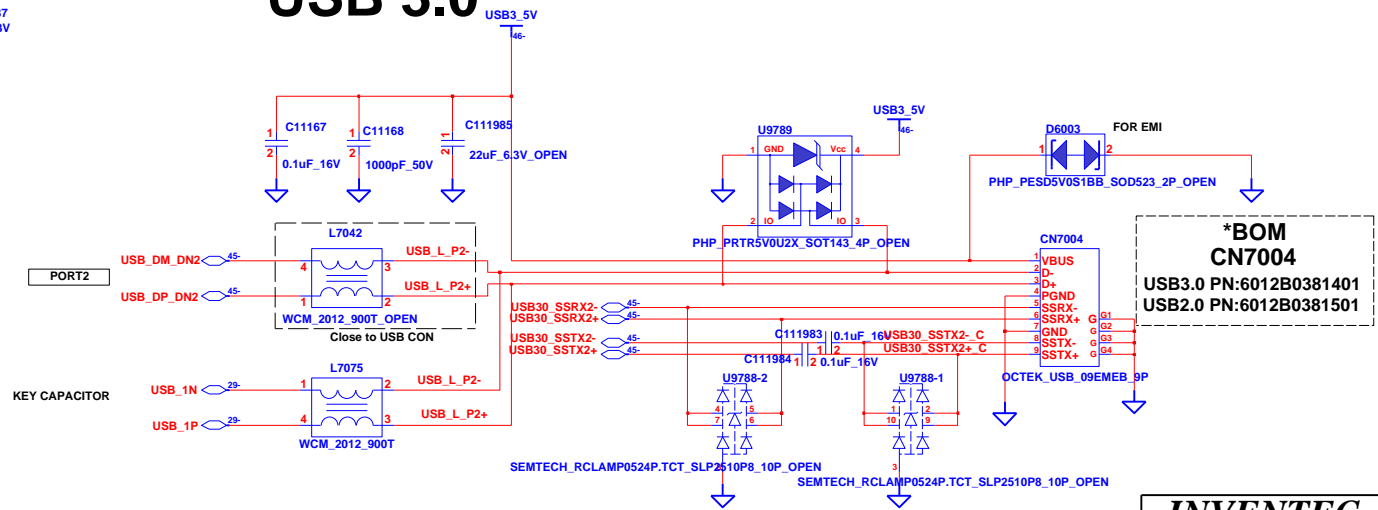
SIZE	CODE	DOC. NUMBER	REV
A3	CS	1310A24245-0-MTR	A
SHEET		45	OF 51

CHANGE by *Chang, Irene* 22-Mar-2011

USB 3.0



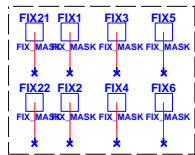
USB 3.0



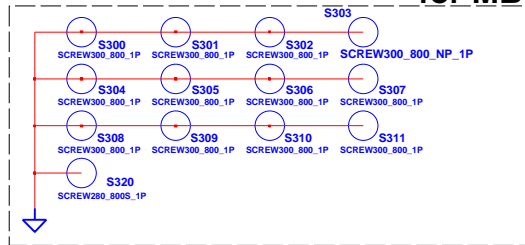
INVENTEC

TITLE			
KITTY			
SIZE	CODE	DOC. NUMBER	REV
A3	CS	1310A24245-0-MTR	A
SHEET		46	OF 51

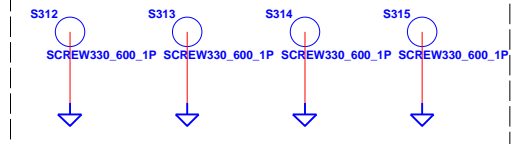
CHANGE by *Chang, Irene* 22-Mar-2011



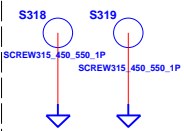
for MB



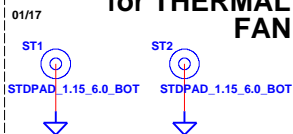
CPU's screws



for PCH



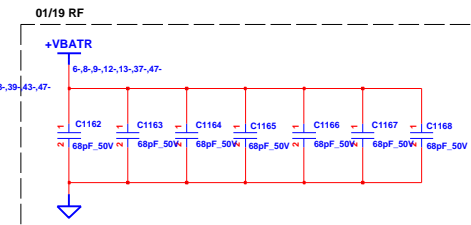
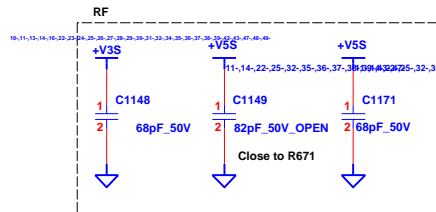
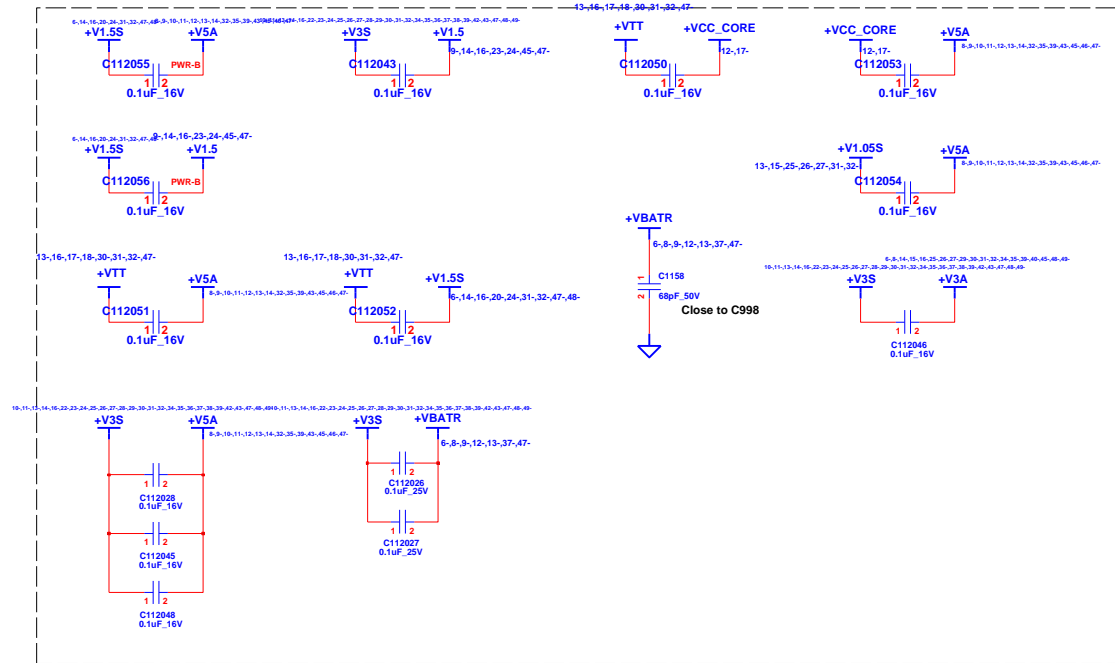
for THERMAL FAN



NUT P/N :
6052B0095601

*BOM

EMI



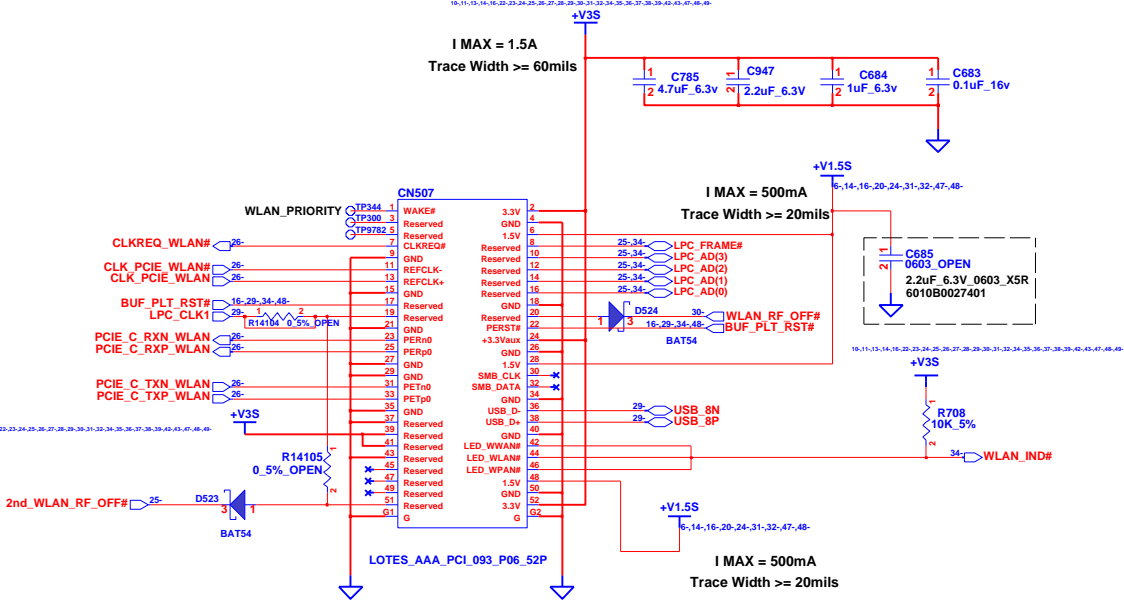
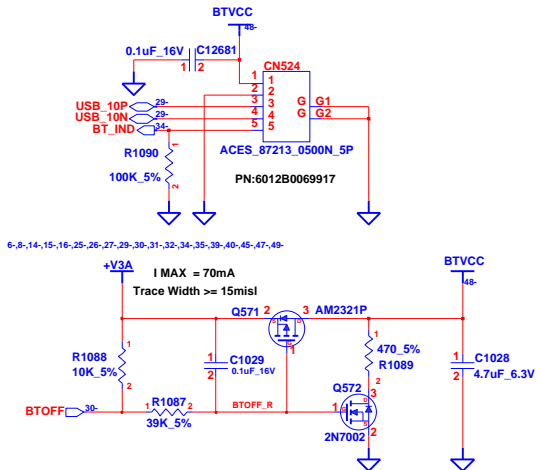
INVENTEC

TITLE KITTY SCREW & CONN			
SIZE A3	CODE CS	DOC NUMBER I310A24245-0-MTR	REV A
SHEET 47		OF 51	

CHANGE by *Chang, Irene* 22-Mar-2011

WLAN CONN (MINICARD)

BLUETOOTH CONN



*BOM
CN507 : 6026B0184301

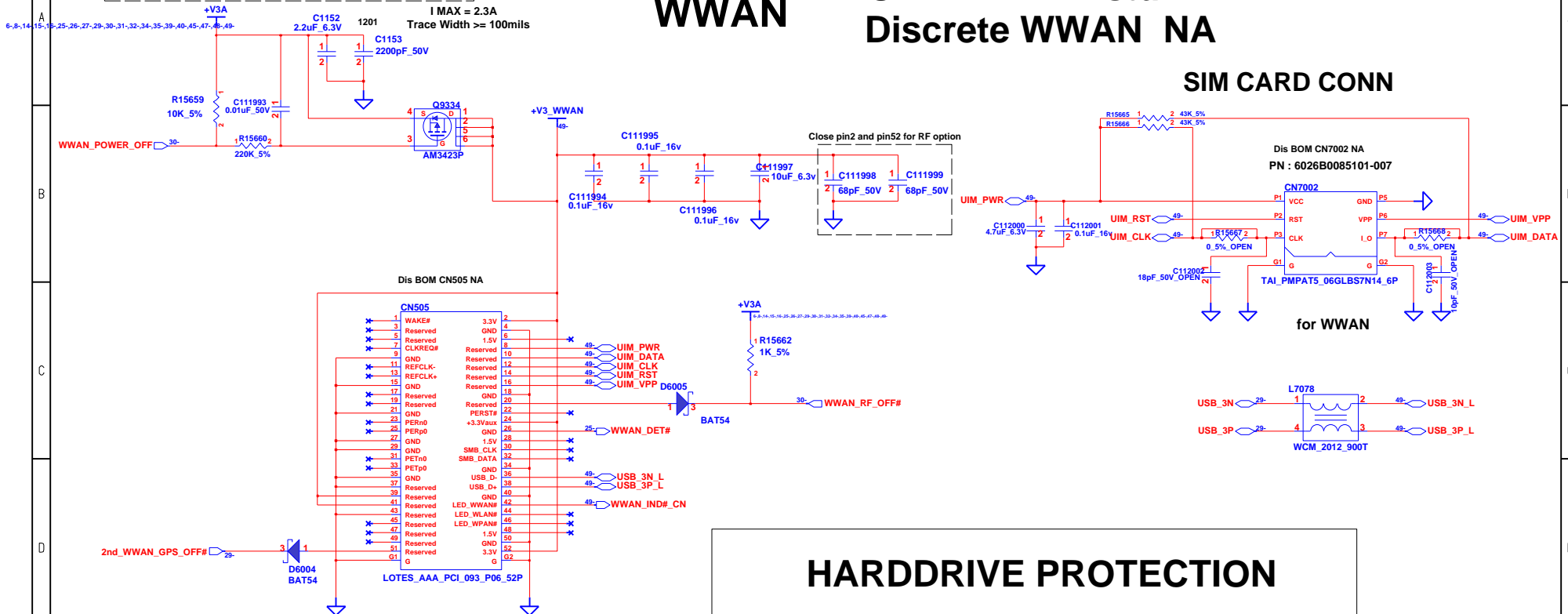
INVENTEC			
TITLE KITTY			
WLAN, BT & WebCAM			
SIZE A3	CODE CS	DOC NUMBER I310A24245-0-MTR	REV A
CHANGE by <i>Chang, Irene</i>		22-Mar-2011	
SHEET 48		OF 51	

OPTION PART

WWAN

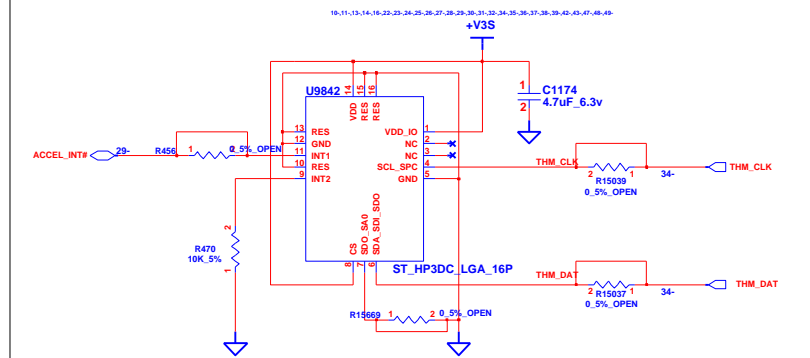
UMA WWAN stuff Discrete WWAN NA

SIM CARD CONN



*BOM
CN505 : 6026B0184301

HARDDRIVE PROTECTION



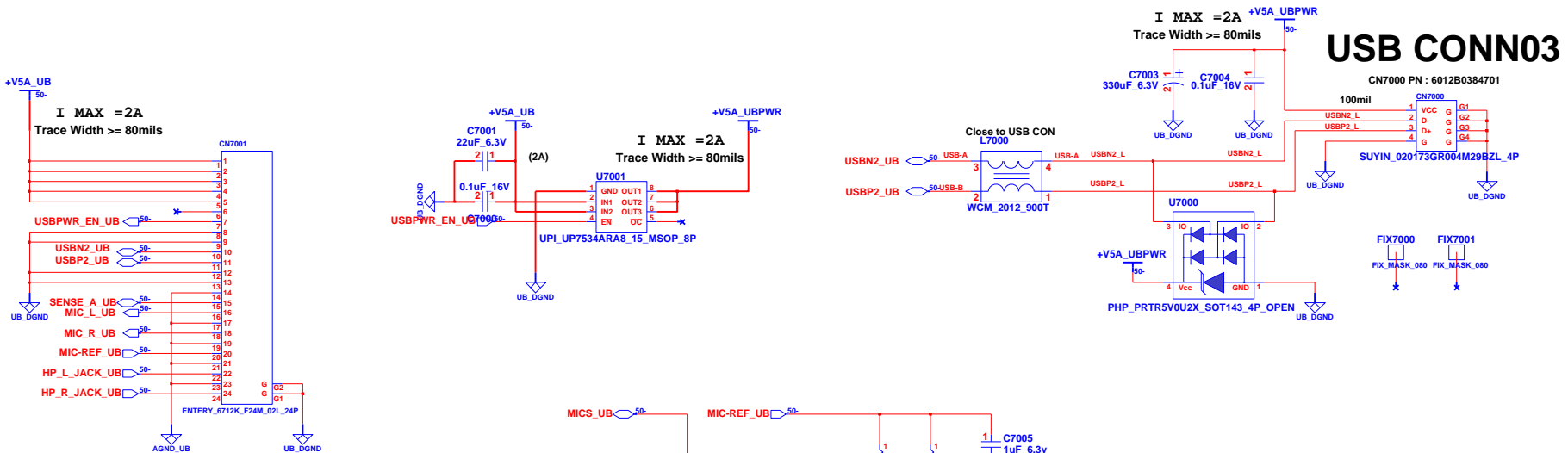
*BOM
U15 : 6019B0800501
SMBus Address is "001100xb"
If SA0 pad is connected to voltage, LSb is '1'
If SA0 pad is connected to GND, LSb is '0'

INVENTEC

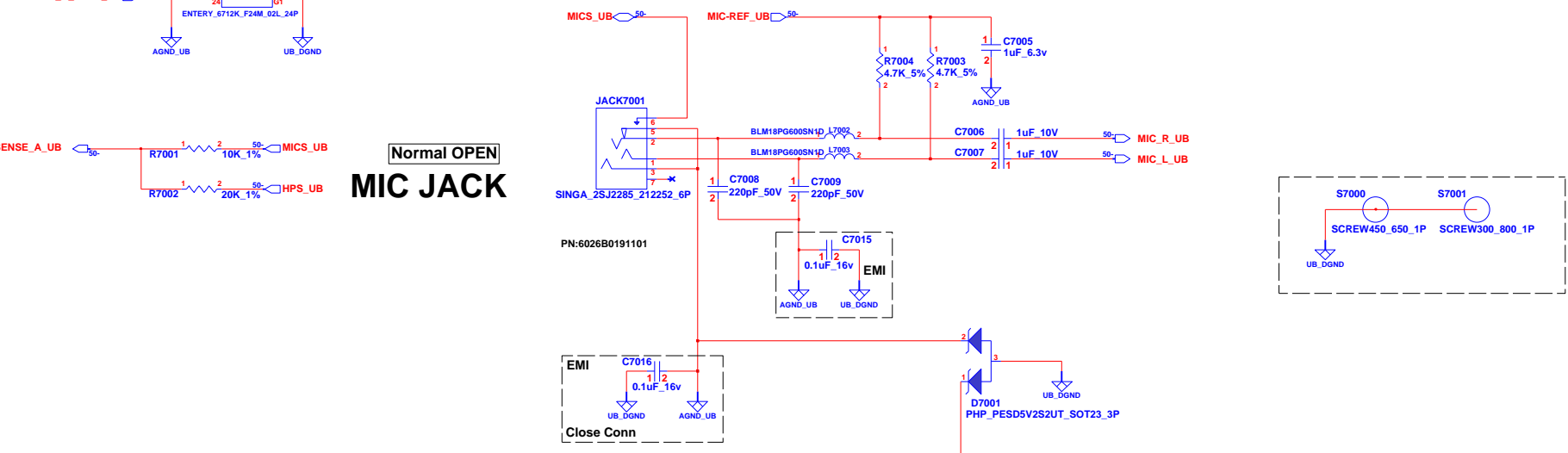
TITLE KITTY USB CONN			
SIZE A3	CODE CS	DOC. NUMBER I310A24245-0-MTR	REV A
SHEET 49		OF 51	

USB + AUDIO BOARD

USB CONN03

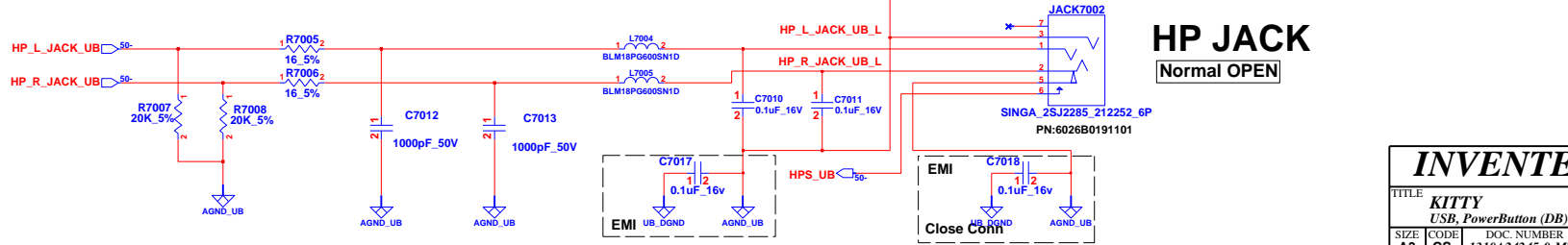


MIC JACK



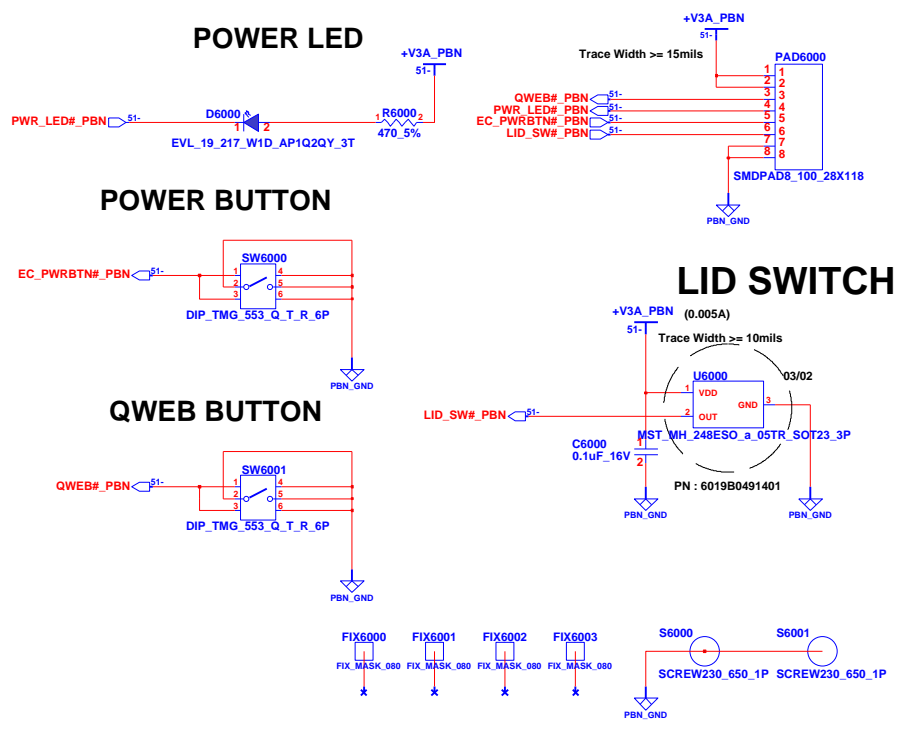
HP JACK

Normal OPEN

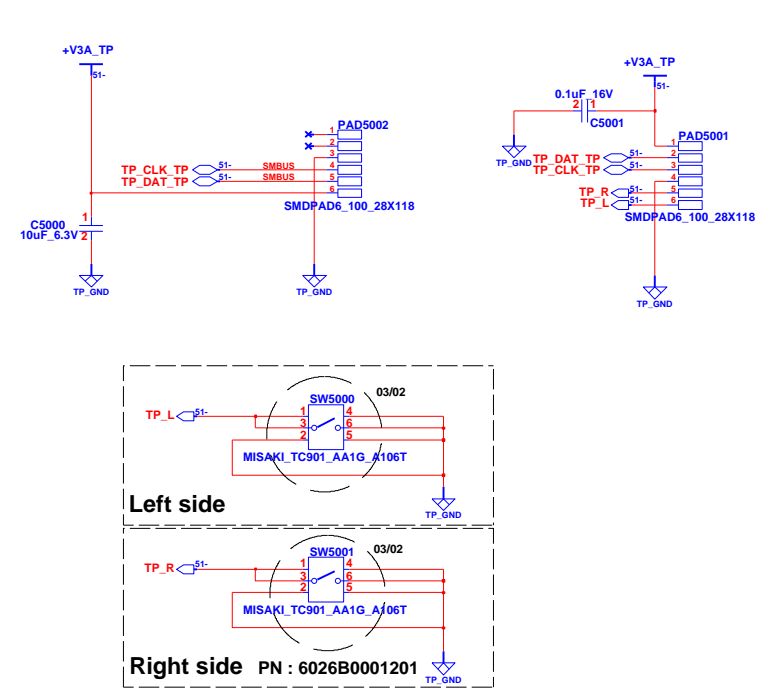


INVENTEC			
TITLE: KITTY			
SUB: USB, PowerButton (DB)			
SIZE: A3	CODE: CS	DOC NUMBER: J310A24245-0-MTR	REV: A
CHANGE by: Chang, Irene		22-Mar-2011	
SHEET: 50		OF: 51	

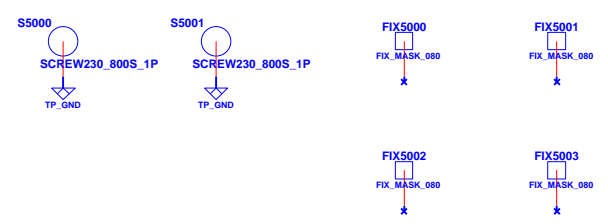
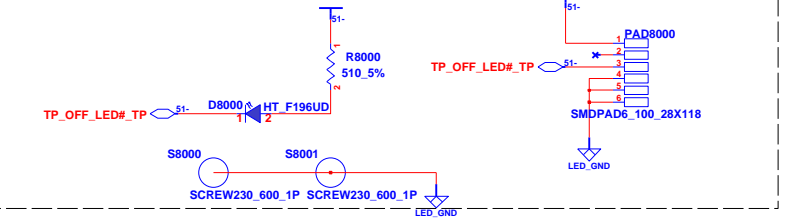
POWER BOTTON BOARD



PICK BUTTON BOARD



TP LED BOARD



INVENTEC

TITLE: **KITTY**

SIZE	CODE	DOC. NUMBER	REV
A3	CS	1310A24245-0-MTR	A

CHANGE by *Chang, Irene* 22-Mar-2011

SHEET 51 OF 51