

THIS DRAWING AND SPECIFICATIONS, HEREIN, ARE THE PROPERTY OF INVENTEC CORPORATION AND SHALL NOT BE REPRODUCED, COPIED, OR USED IN WHOLE OR IN PART AS THE BASIS FOR THE MANUFACTURE OR SALE OF ITEMS WITHOUT WRITTEN PERMISSION, INVENTEC CORPORATION, 2012 ALL RIGHT RESERVED.

HSF Property:ROHS or Halogen-Free

BANDIT M2 HD+

MV BUILD

2013.01.04

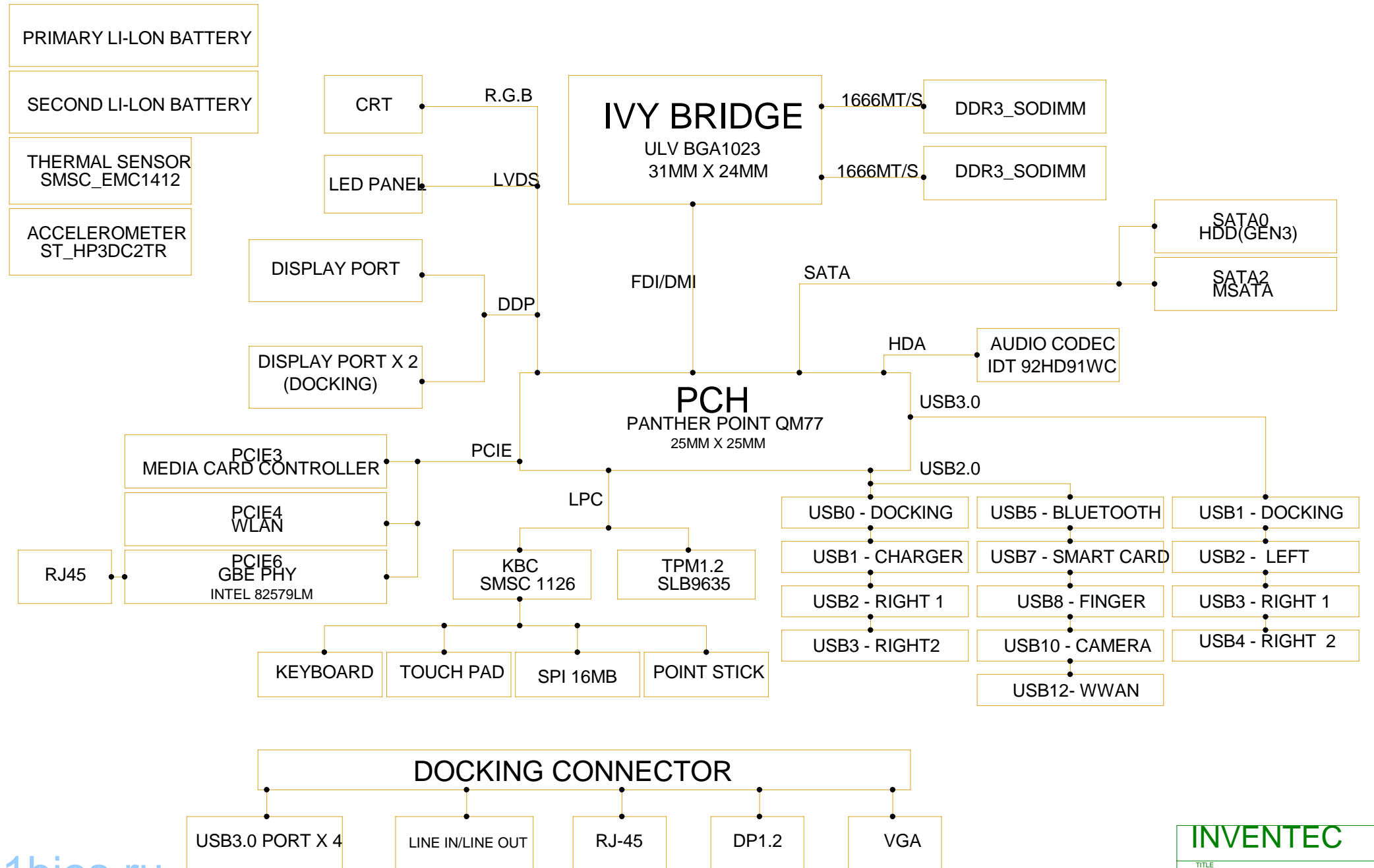
1bios.ru

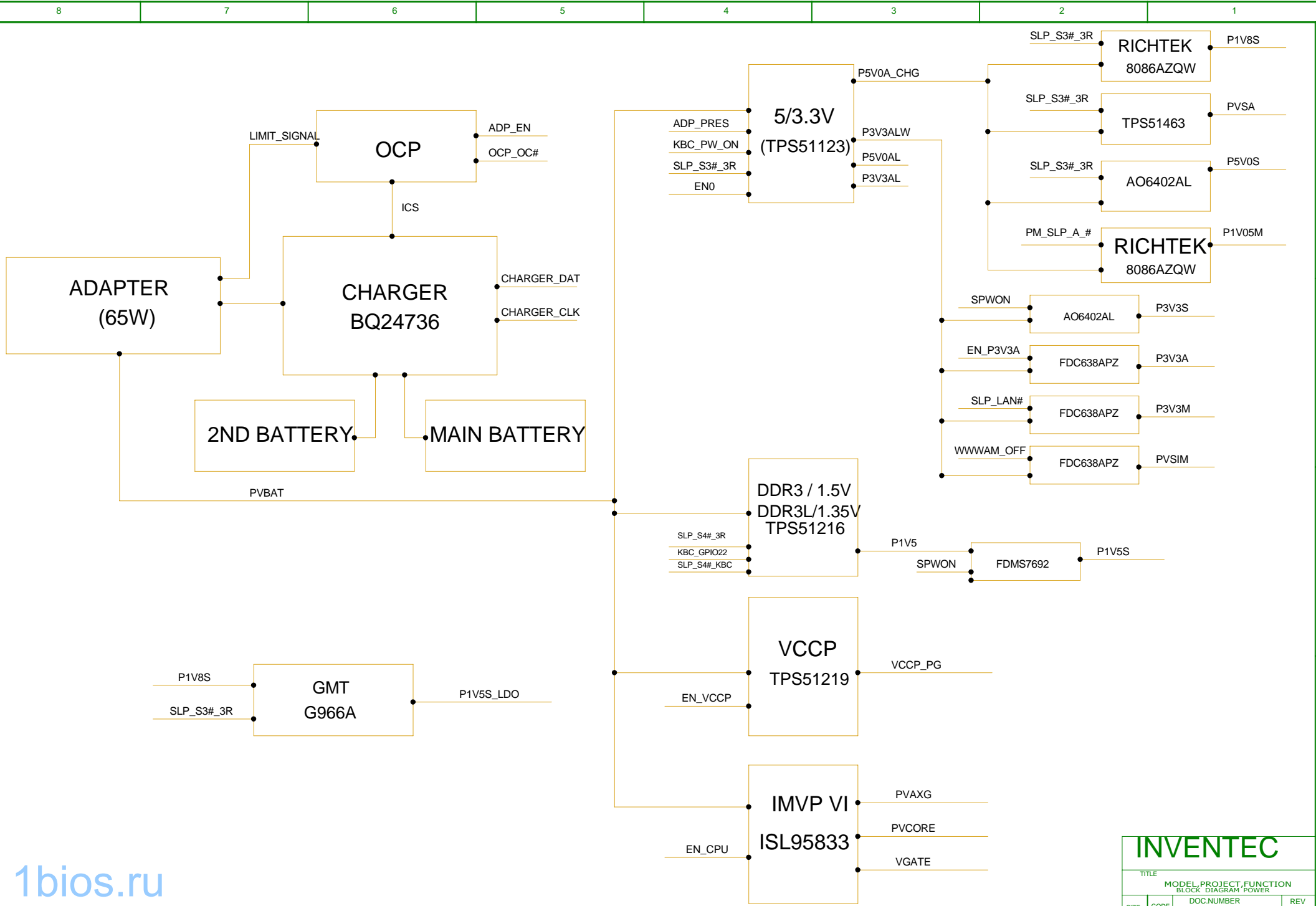
2012/09/10	2012-ECO-017507	A
DATE	CHANGE NO.	REV

EE	DATE	POWER	DATE	INVENTEC	
DRAWER	XXX	21-DOCT-2002	89AV-FH2N	21-DOCT-2002	TITLE MODEL PROJECT FUNCTION ULTRABOOK MAIN BOARD
DESIGN	XXX	21-DOCT-2002	89AV-FH2N	21-DOCT-2002	
CHECK	XXX	21-DOCT-2002	89AV-FH2N	21-DOCT-2002	
RESPONSIBLE	XXX	21-DOCT-2002	89AV-FH2N	21-DOCT-2002	
SIZE: A3	VER: A02	SIZE: A3	CODE: CS	DOC NUMBER: 1310000000-01-01	REV: Y01
FILE TYPE: BANDIT.MB (13100251410)	PN: 8920K024101	SHEET		of 80	

TABLE OF CONTENTS

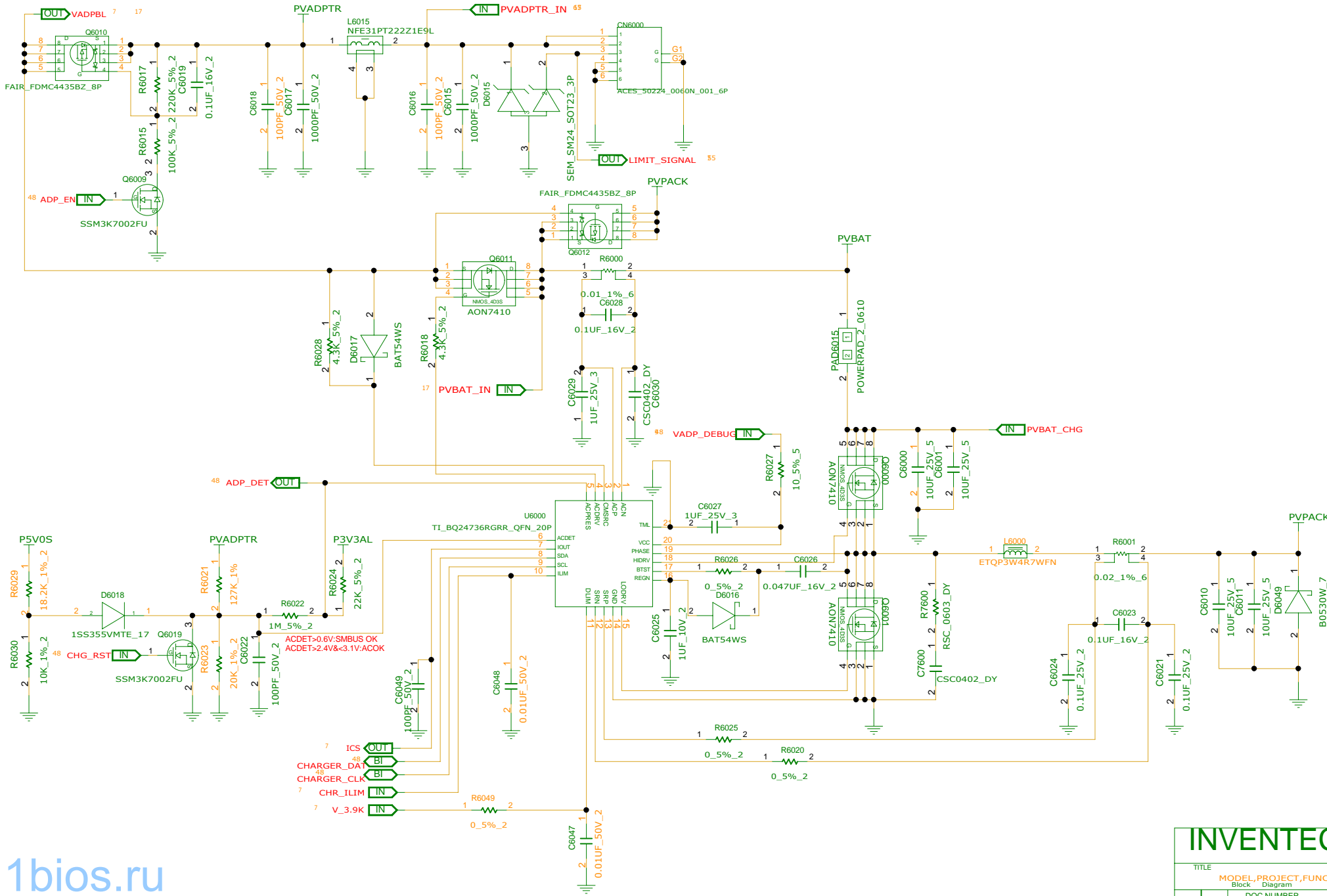
1. PROJECT NAME	23. IVY BRIDGE_1 (CLK,MISC,JTAG)	47. KEYBOARD
2. TABLE OF CONTENTS	24. IVY BRIDGE_2 (POWER)	48. TPM
3. BLOCK DIAGRAM	25. IVY BRIDGE_3 (DMI,DP,PEG,FDI)	49. LAN INTERFACE
4. SYSTEM POWER FLOW	26. IVY BRIDGE_4 (DDR3)	50. LAN RJ45 CNTR
5. SYSTEM POWER(CHARGER)	27. IVY BRIDGE_5 (GRAPHICS POWER)	51. WLAN
6. SYSTEM POWER(BATT SELECTOR)	28. IVY BRIDGE_6 (GND,RESERVED)	52. WWAN & SIM CARD
7. SYSTEM POWER(OCP)	29. DDR3_SO-DIMM0	53. DOCKING CNTR
8. SYSTEM POWER(P3V3A&P5V0A)	30. DDR3_SO-DIMM1	54. STICK POINT & B2B CNTR
8. SYSTEM POWER(P5V0A _CHG)	31. PANTER POINT_1 (HDA,JTAG,SPI,SATA)	55. CODEC
10. SYSTEM POWER(P1V5)	32. PANTER POINT_2 (PCI-E,SMBUS,CLK)	56. EXT MIC AMP
11. SYSTEM POWER(P1V05M)	33. PANTER POINT_3 (DMI,FDI,GPIO)	57. JACK & USB3 CNTR
12. SYSTEM POWER(P1V05S)	34. PANTER POINT_4 (LVDS,DDI)	58. CARD READER
13. SYSTEM POWER(P1V8S)	35. PANTER POINT_5 (PCI,USB,NVRAM)	59. BUTTON LED
14. SYSTEM POWER(PVSA)	36. PANTER POINT_6 (GPIO,VSS_NCFT,RSVD)	60. SMART VARD & LED DB
15. SYSTEM POWER(PVCORE1)	37. PANTER POINT_7 (POWER)	61. MIC DB
16. SYSTEM POWER(PVCORE2)	38. PANTER POINT_8 (POWER)	62. SCREW
17. POWER TEST POINT	39. PANTER POINT_9 (GND)	63. EMI & RF SOLUTION
18. POWER PAD	40. CRT / DISPLAY PORT CNTR	64. SYSTEM SEQUENCE
19. POWER(SLEEP)	41. LCM & WEBCAM	
20. POWER(SEQUENCE)	42. SATA & MSATA CNTR	
21. XDP CONN	43. USB CNTR & USB CHARGER	
22. FAN & THERMAL	44. FINGER PRINTER CNTR	
	45. ACCELEMETOR	
	46. KBC / SPI	





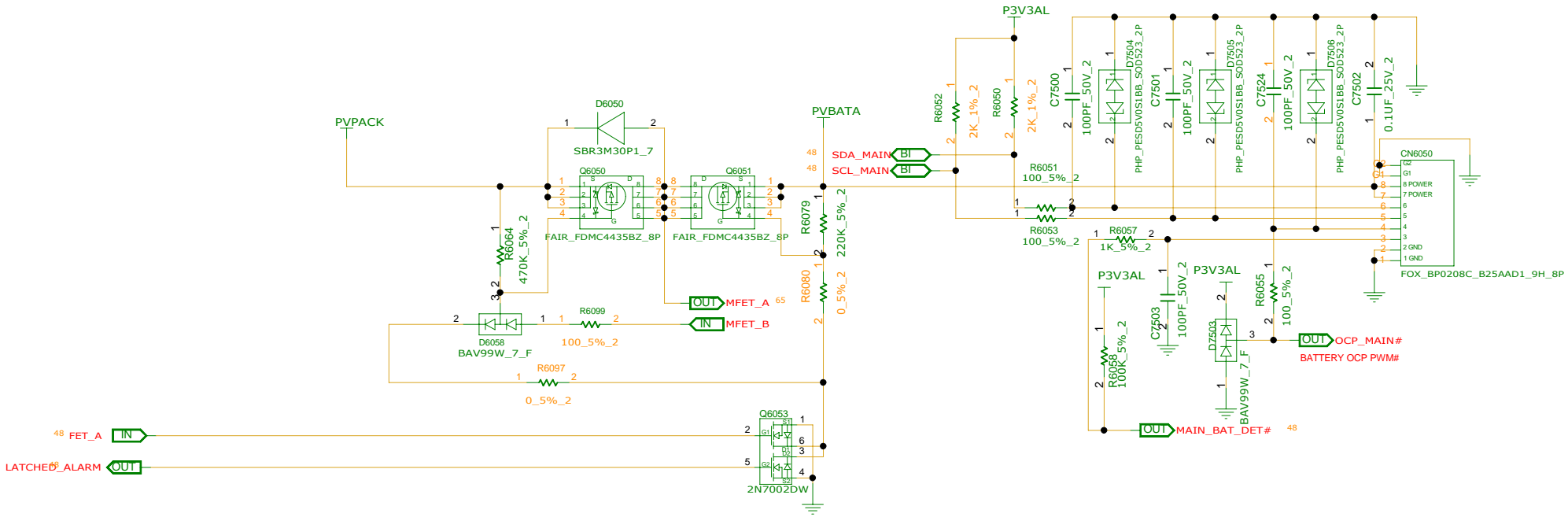
1bios.ru

INVENTEC			
TITLE MODEL PROJECT FUNCTION BLOCK DIAGRAM POWER			
DOC NUMBER 1310xxxxx-0-0		REV X01	
SIZE A3	CODE CS	SHEET 4 of 80	

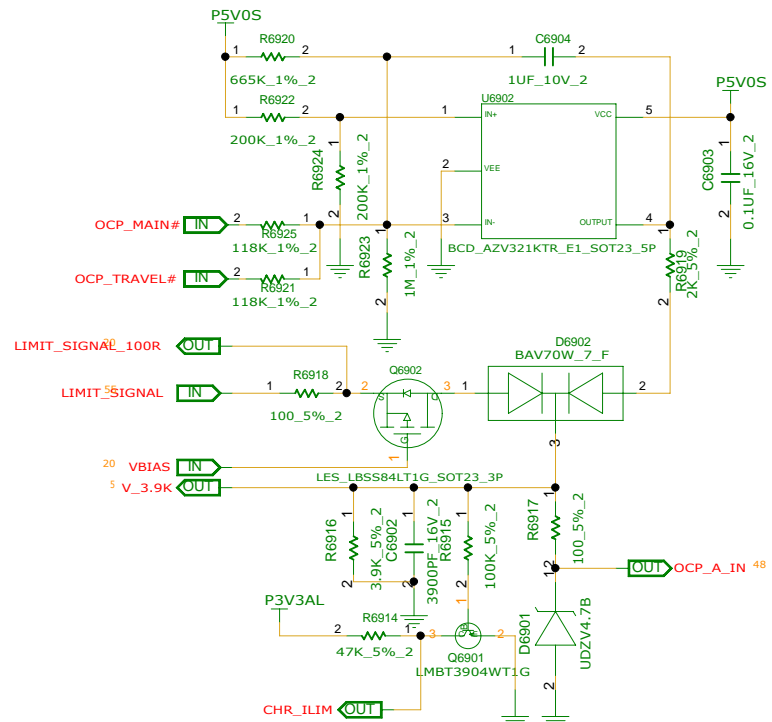
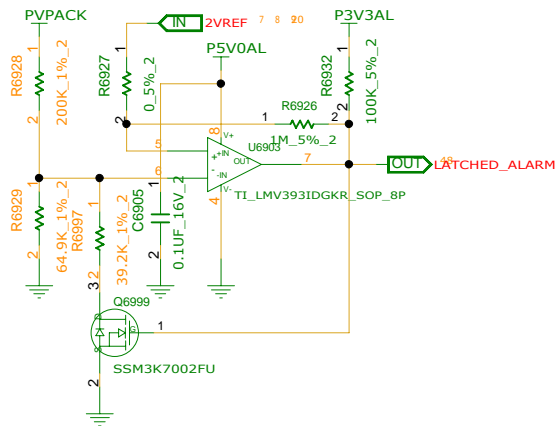
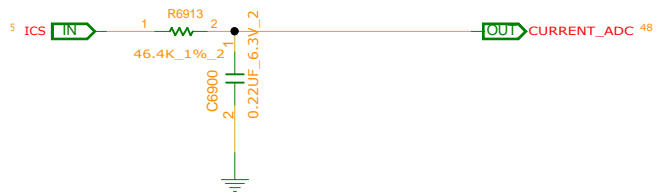
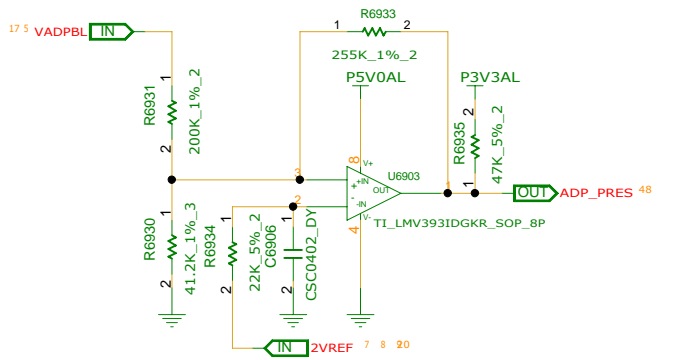


1bios.ru

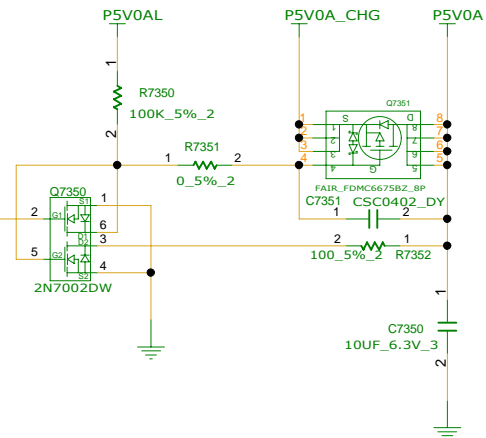
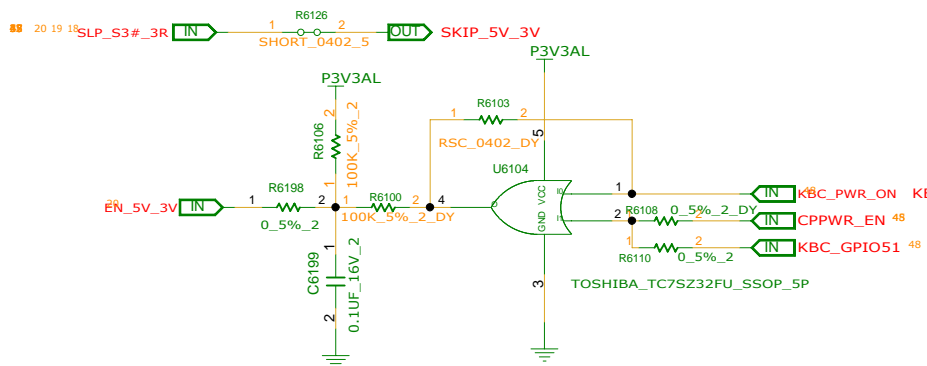
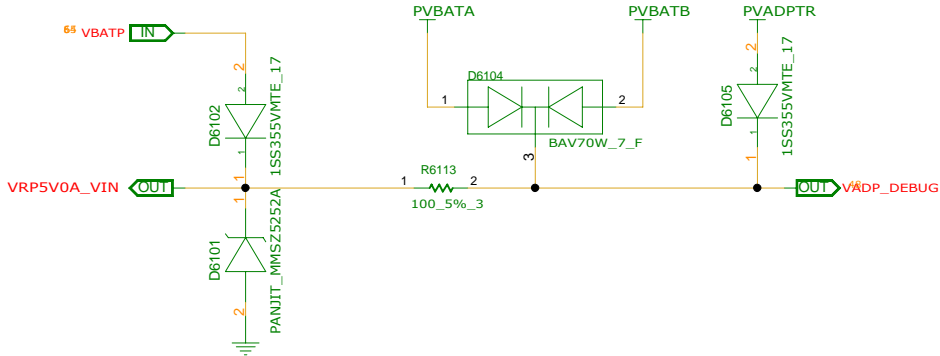
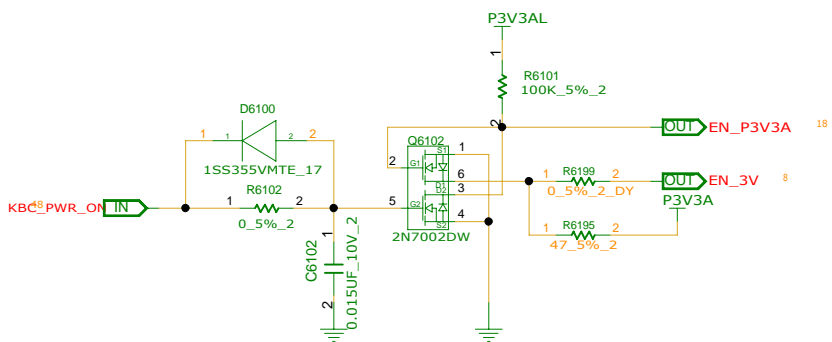
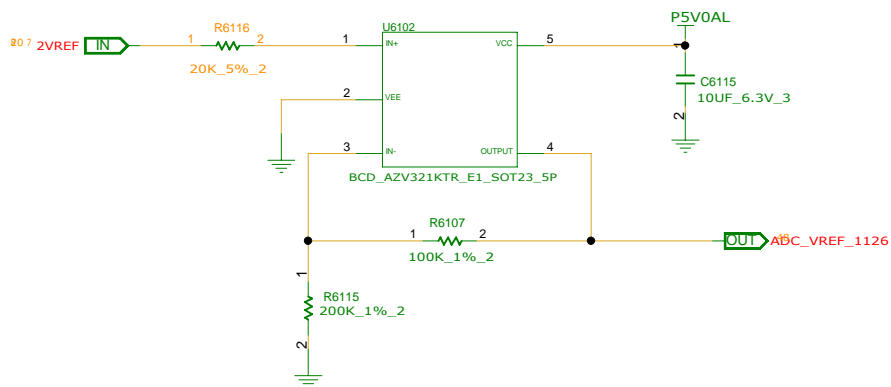
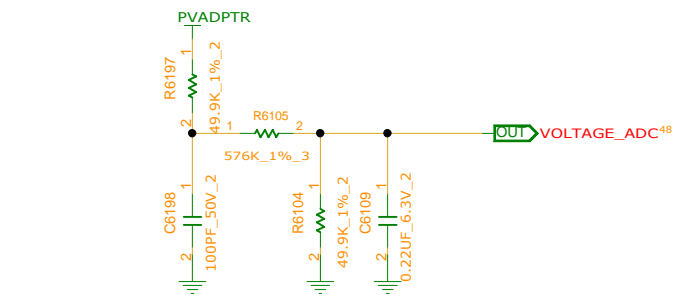
INVENTEC			
TITLE			
MODEL,PROJECT,FUNCTION			
Block Diagram			
SIZE A3		CODE CS	
DOC NUMBER		REV X01	
1310xxxxx-0-0			
SHEET 5 of 80			



TITLE			
MODEL,PROJECT,FUNCTION			
Block Diagram			
SIZE	CODE	DOC NUMBER	REV
A3	CS	1310xxxxx-0-0	X01
CHANGE by		DATE	SHEET
XXX		21-OCT-2002	6 of 80



INVENTEC			
TITLE MODEL,PROJECT,FUNCTION Block Diagram			
SIZE A3	CODE CS	DOC NUMBER 1310xxxxx-0-0	REV X01
CHANGE by XXX		DATE 21-OCT-2002	SHEET 7 of 80



INVENTEC			
TITLE MODEL,PROJECT,FUNCTION Block Diagram			
SIZE A3		CODE CS	REV X01
CHANGE by XXX		DATE 21-OCT-2002	SHEET 9 of 80

MEM_1V5-> HI DDR-> 1.35V
 MEM_1V5-> Low DDR-> 1.5V

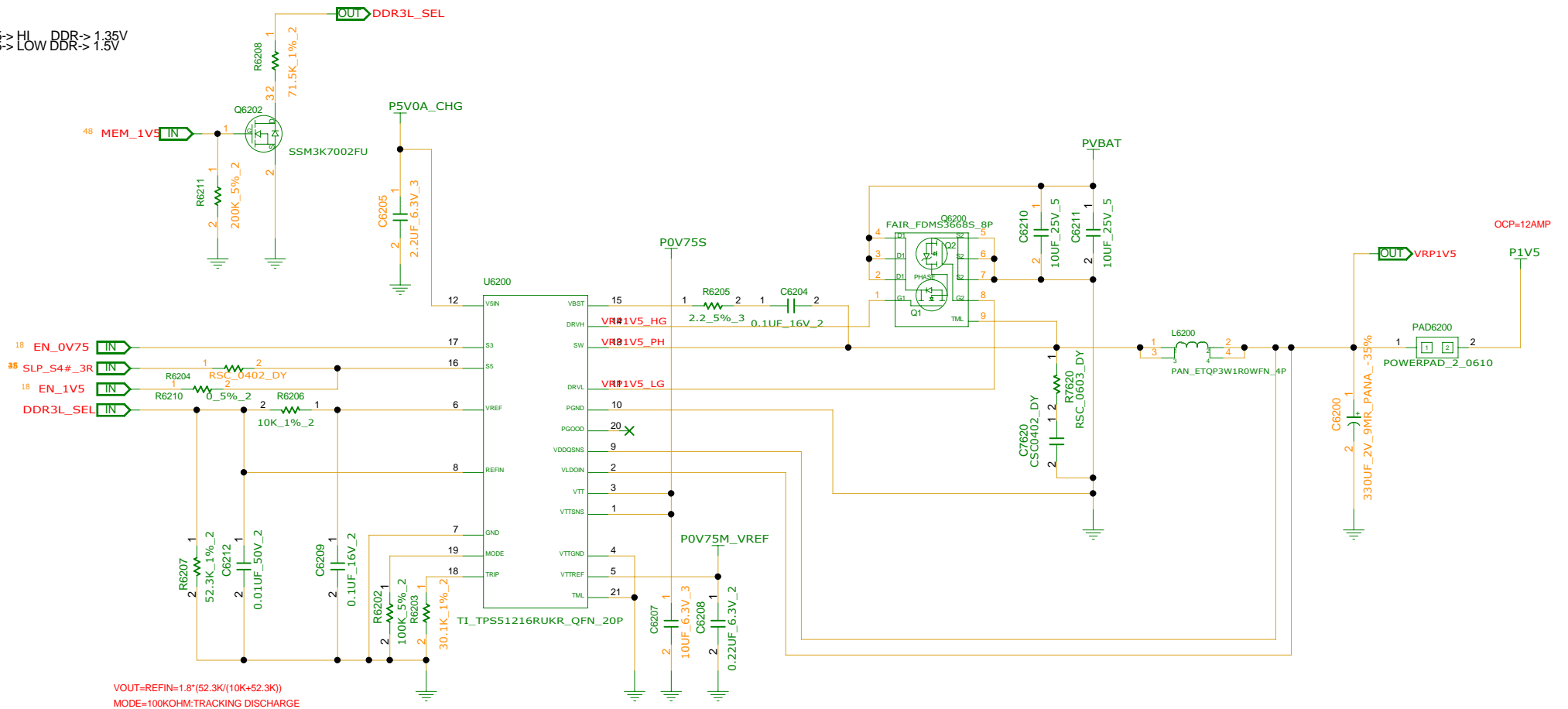


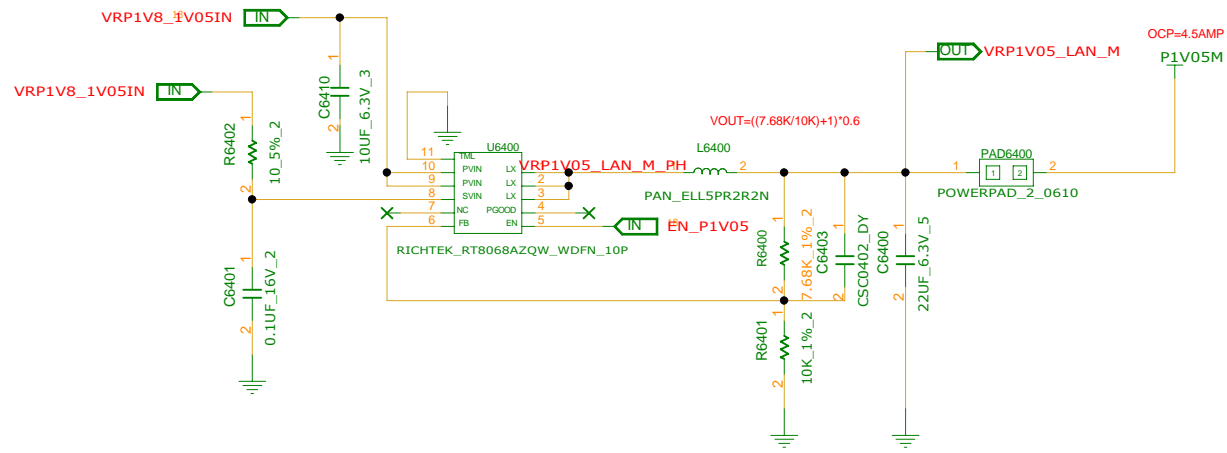
Table 1. S3/S5 Power State Control

STATE	S3	S5	VREF	VDDQ	VTTREF	VTT
S0	HI	HI	ON	ON	ON	ON
S3	LO	HI	ON	ON	ON	OFF(High-Z)
S4/S5	LO	LO	OFF	OFF(Discharge)	OFF(Discharge)	OFF(Discharge)

1bios.ru

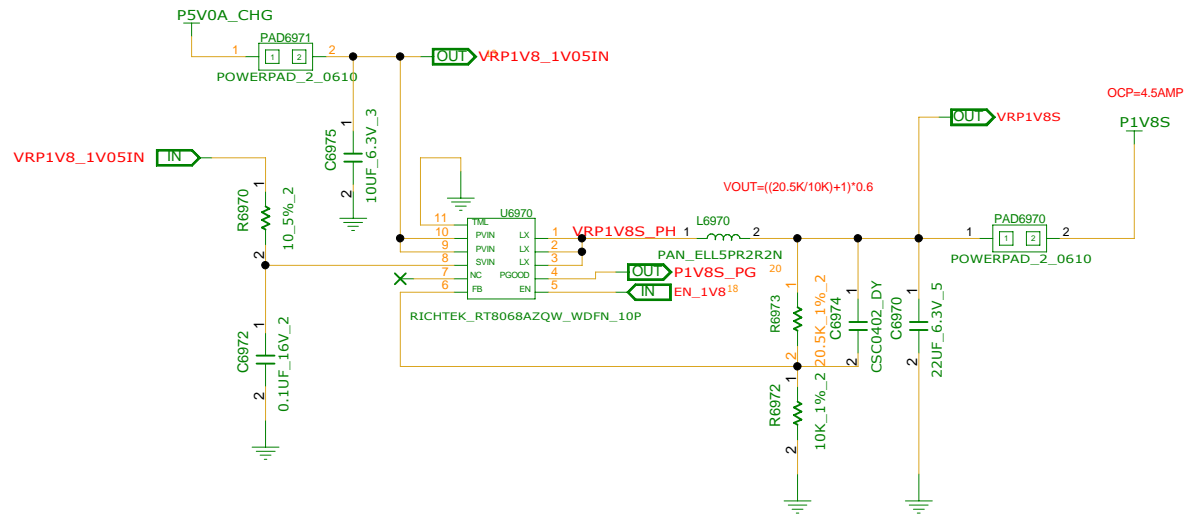
INVENTEC

TITLE			
MODEL,PROJECT,FUNCTION Block Diagram			
SIZE A3		CODE CS	REV X01
DCC NUMBER 1310xxxx-0-0		SHEET 10 of 80	



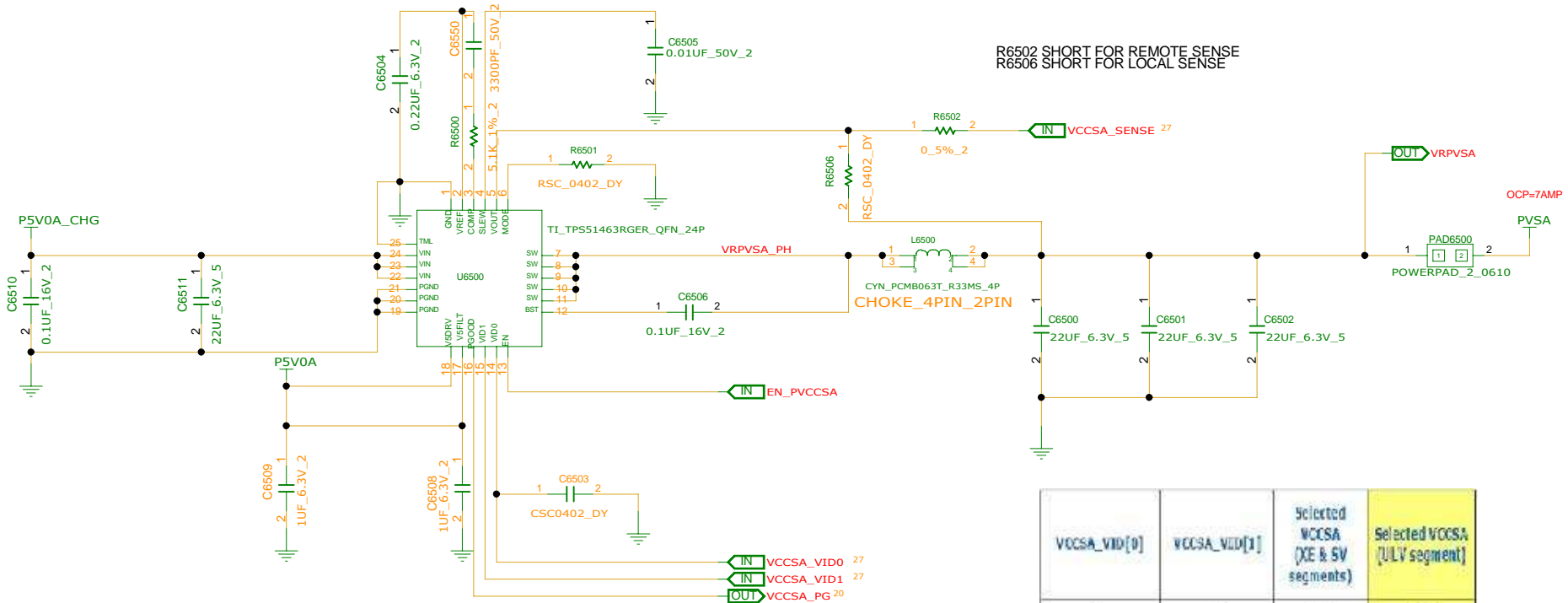
1bios.ru

INVENTEC			
TITLE MODEL,PROJECT,FUNCTION Block Diagram			
SIZE A3	CODE CS	DOC NUMBER 1310xxxxx-0-0	REV X01
CHANGE by XXX		DATE 21-OCT-2002	SHEET 11 of 80



INVENTEC

TITLE			
MODEL,PROJECT,FUNCTION			
Block Diagram			
SIZE	CODE	DOC NUMBER	REV
A3	CS	1310xxxxx-0-0	X01



R6502 SHORT FOR REMOTE SENSE
R6506 SHORT FOR LOCAL SENSE

VCCSA_VID[0]	VCCSA_VID[1]	Selected VCCSA (XE & 5V segments)	Selected VCCSA (ULV segment)
0	0	0.9 V	0.9 V
0	1	0.8 V	0.85 V
1	0	0.725 V	0.775 V
1	1	0.675 V	0.75 V

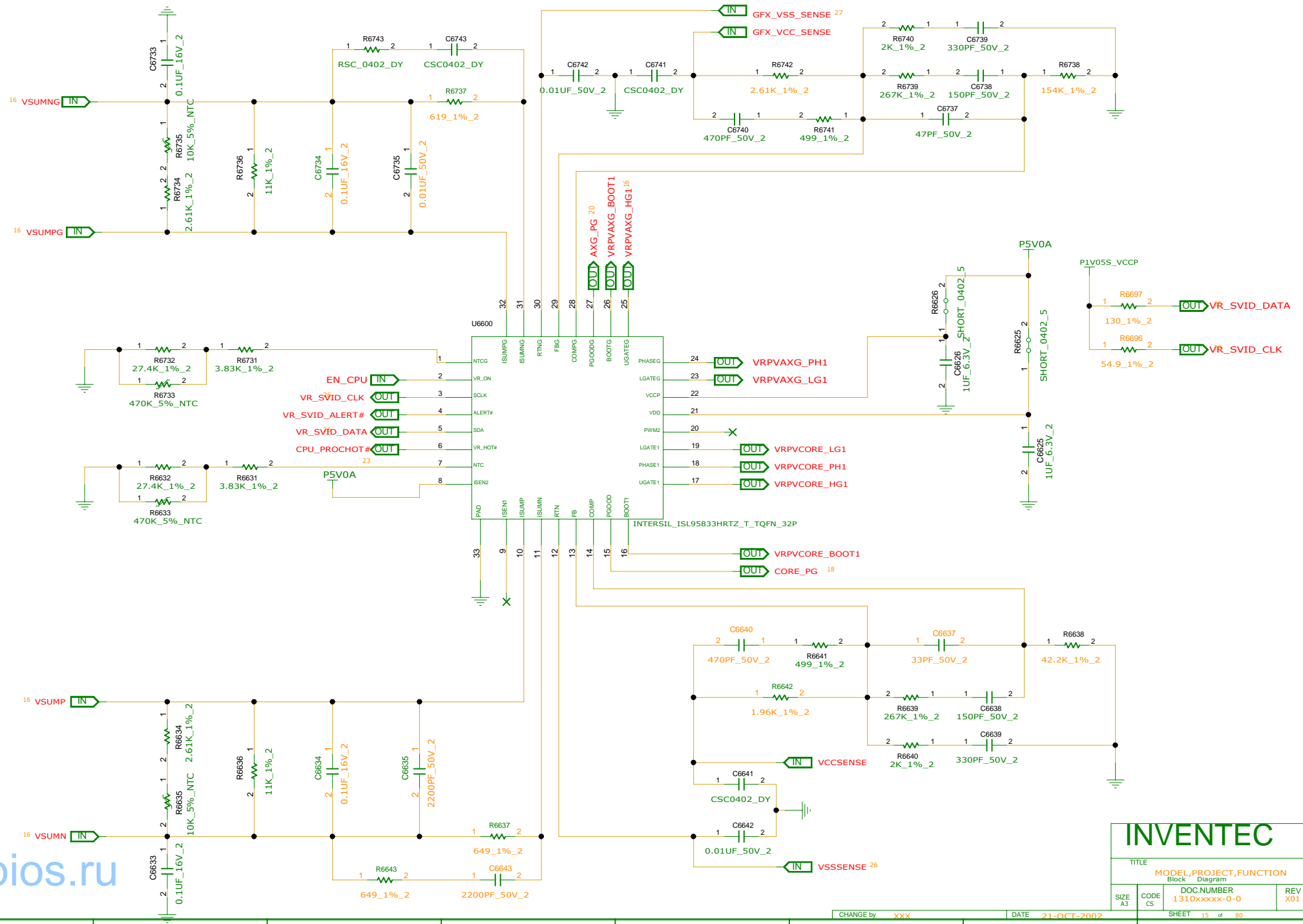
1bios.ru

INVENTEC

TITLE: MODEL,PROJECT,FUNCTION
Block: Diagram

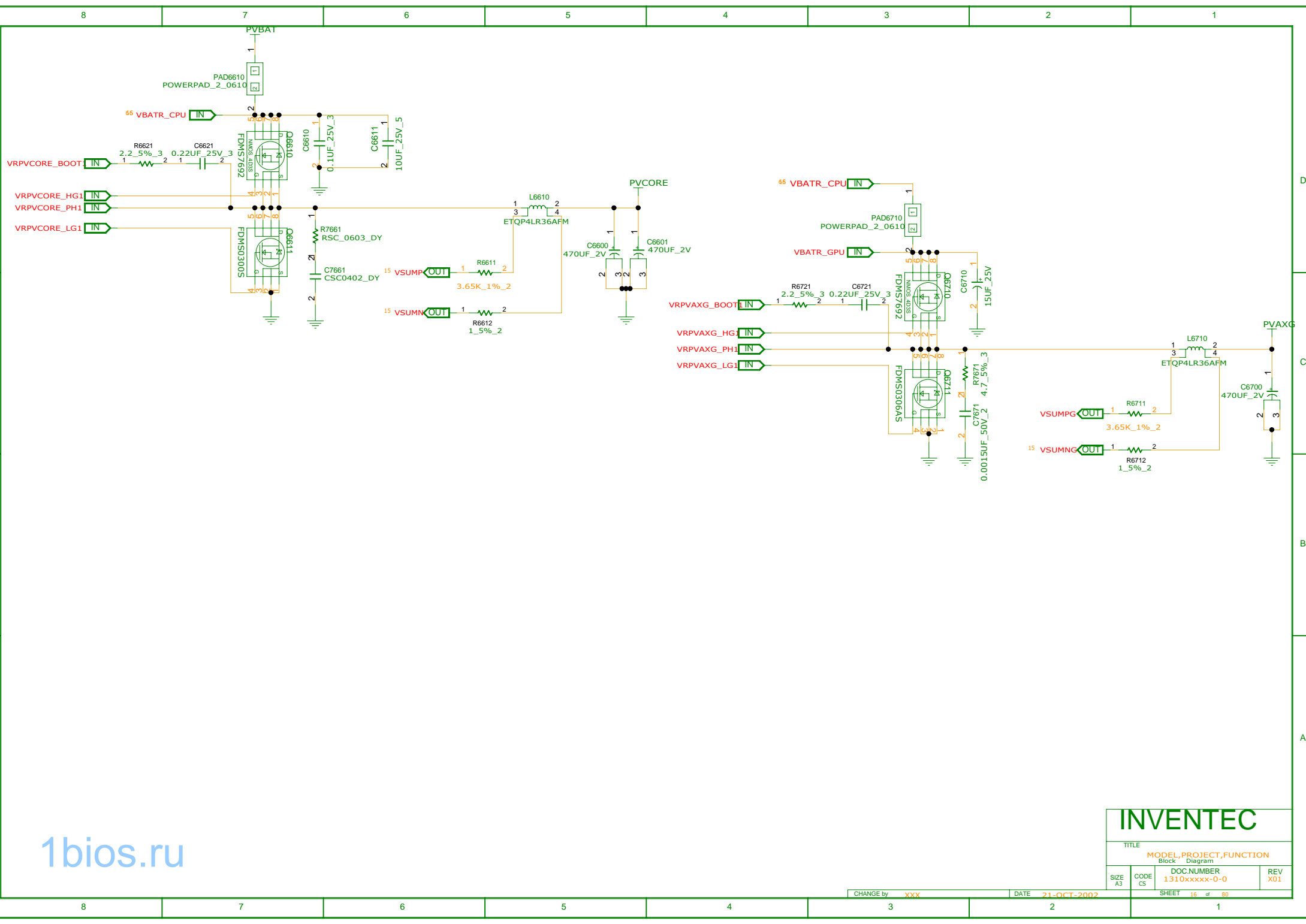
SIZE A3	CODE CS	DOC NUMBER 1310xxxxx-0-0	REV X01
---------	---------	--------------------------	---------

CHANGE by: XXX DATE: 21-OCT-2002 SHEET 14 of 80



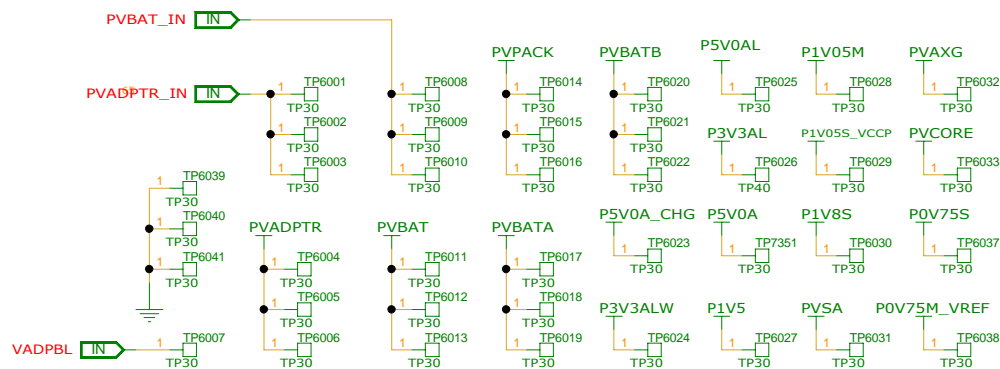
INVENTEC

TITLE			
MODEL,PROJECT,FUNCTION			
Block Diagram			
SIZE	CODE	DOC NUMBER	REV
A3	CS	1310xxxxx-0-0	X01



1bios.ru

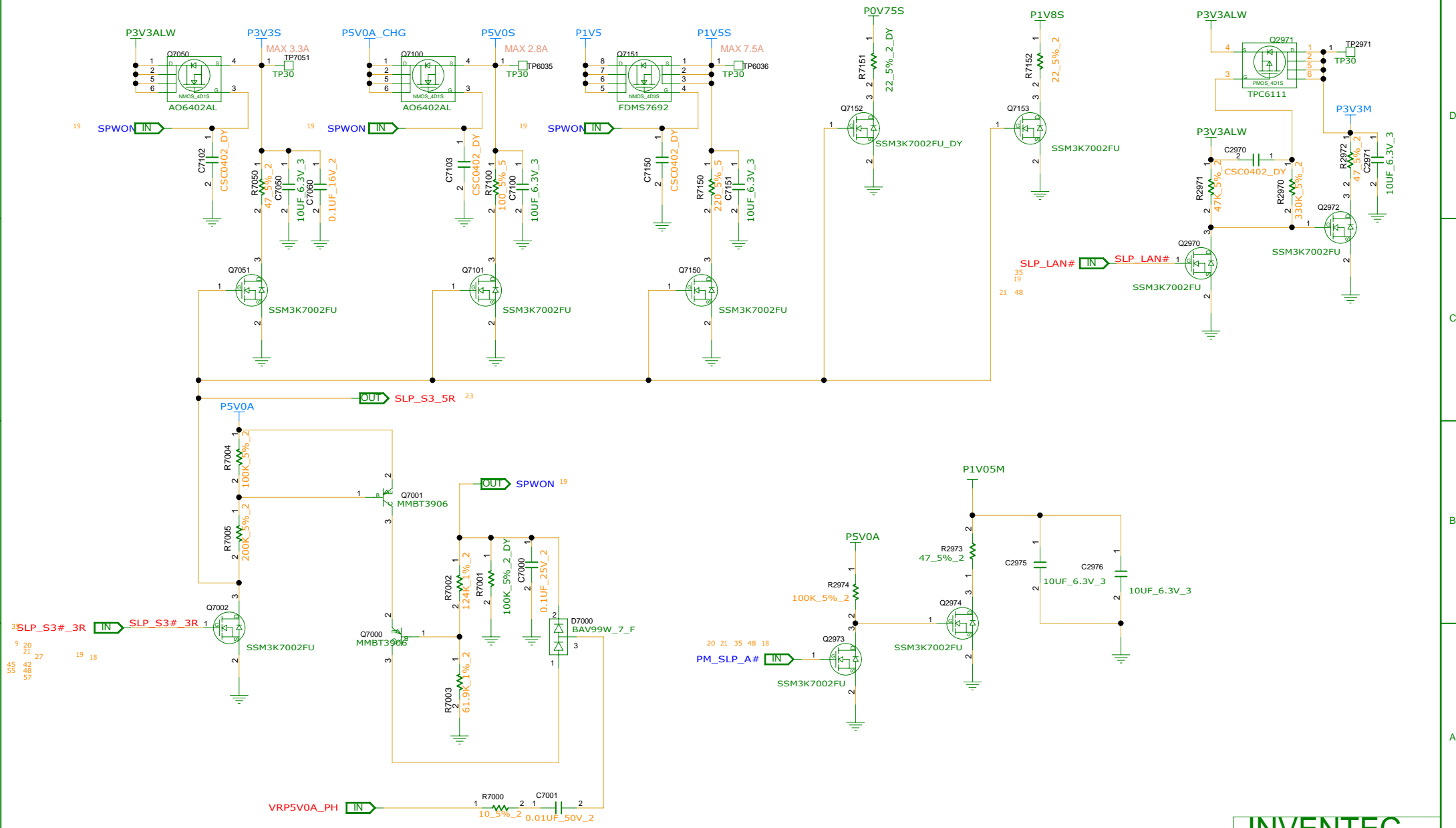
INVENTEC			
TITLE MODEL, PROJECT, FUNCTION Block Diagram			
SIZE A3	CODE CS	DOC NUMBER 1310xxxxx-0-0	REV X01
CHANGE by XXX		DATE 21-OCT-2002	SHEET 16 of 80



1bios.ru

INVENTEC			
TITLE			
MODEL,PROJECT,FUNCTION			
Block Diagram			
SIZE	CODE	DOC NUMBER	REV
A3	CS	1310xxxxx-0-0	X01
CHANGE by		DATE	SHEET
XXX		21-OCT-2002	17 of 80

REFERENCE NUMER : 7000~7350



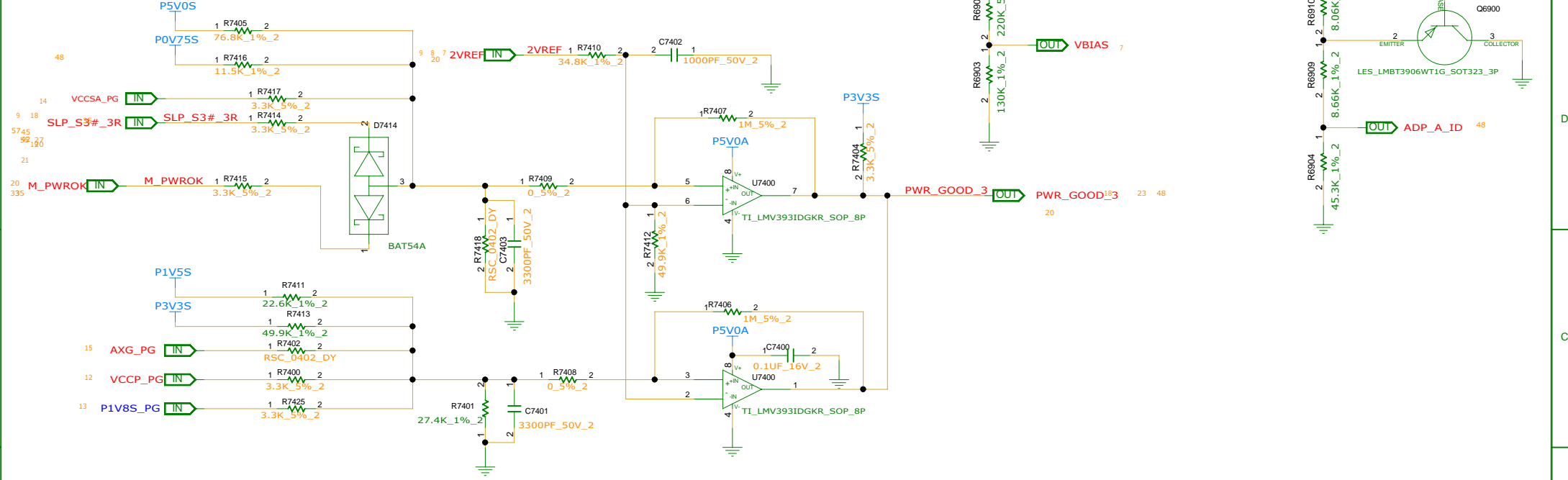
Q2971 WHETHER CAN CHANGE TO 6015B0017101 PMV65XP OR NOT

1bios.ru

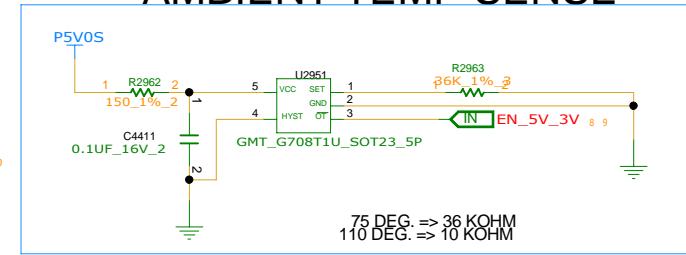
REFERENCE NUMER : 2950~2999

INVENTEC			
TITLE			
MODEL PROJECT,FUNCTION			
POWER(SLEEP)			
SIZE A3	CODE CS	DOC. NUMBER 1310xxxxx-0-0	REV X01
CHANGE by XXX		DATE 21-OCT-2002	SHEET 19 of 80

REFERENCE NUMER : 7400~7450

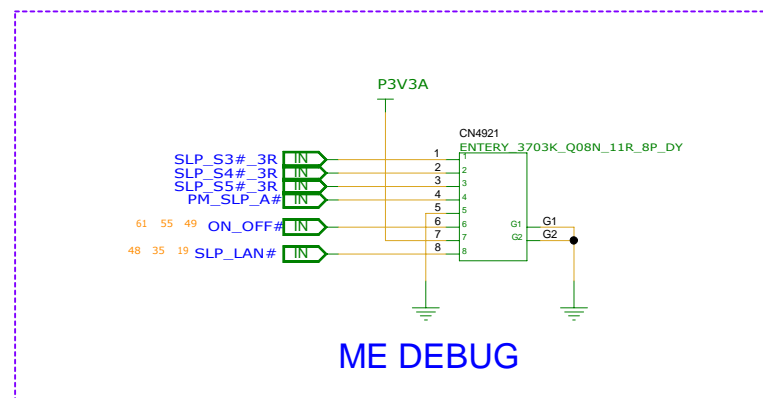


AMBIENT TEMP SENSE



19 35 48
tbios.ru
 REFERENCE NUMER : 2950~2999

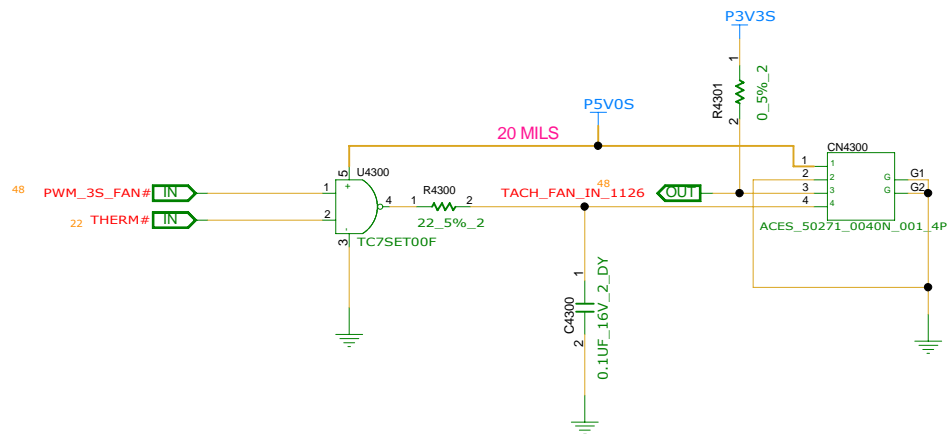
INVENTEC			
TITLE			
MODEL PROJECT FUNCTION POWER (SEQUENCE)			
SIZE A3		DOC. NUMBER 1310xxxxx-0-0	
CODE CS		REV X01	
CHANGE by XXX		DATE 21-OCT-2002	
SHEET 20		of 80	



1bios.ru

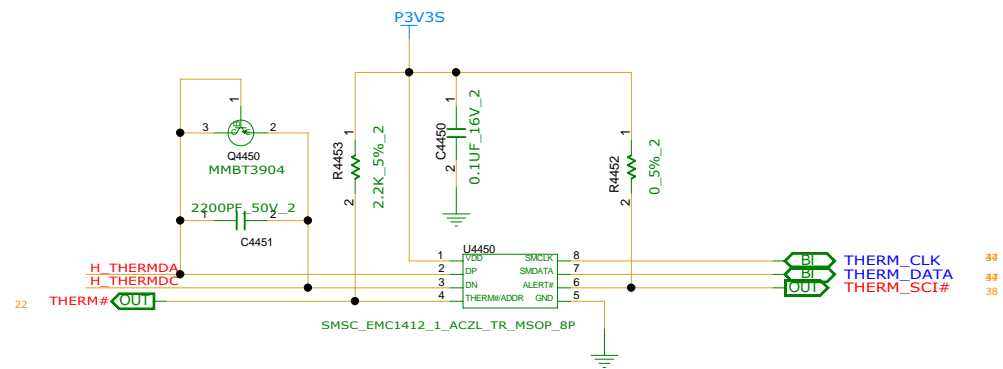
INVENTEC			
TITLE MODEL,PROJECT,FUNCTION XDP_C0WV			
SIZE A3	CODE CS	DOC.NUMBER 1310xxxxx-0-0	REV X01
CHANGE by XXX		DATE 21-OCT-2002	SHEET 21 of 80

REFERENCE NUMBER:4400~4349



REFERENCE NUMBER:4450~4499

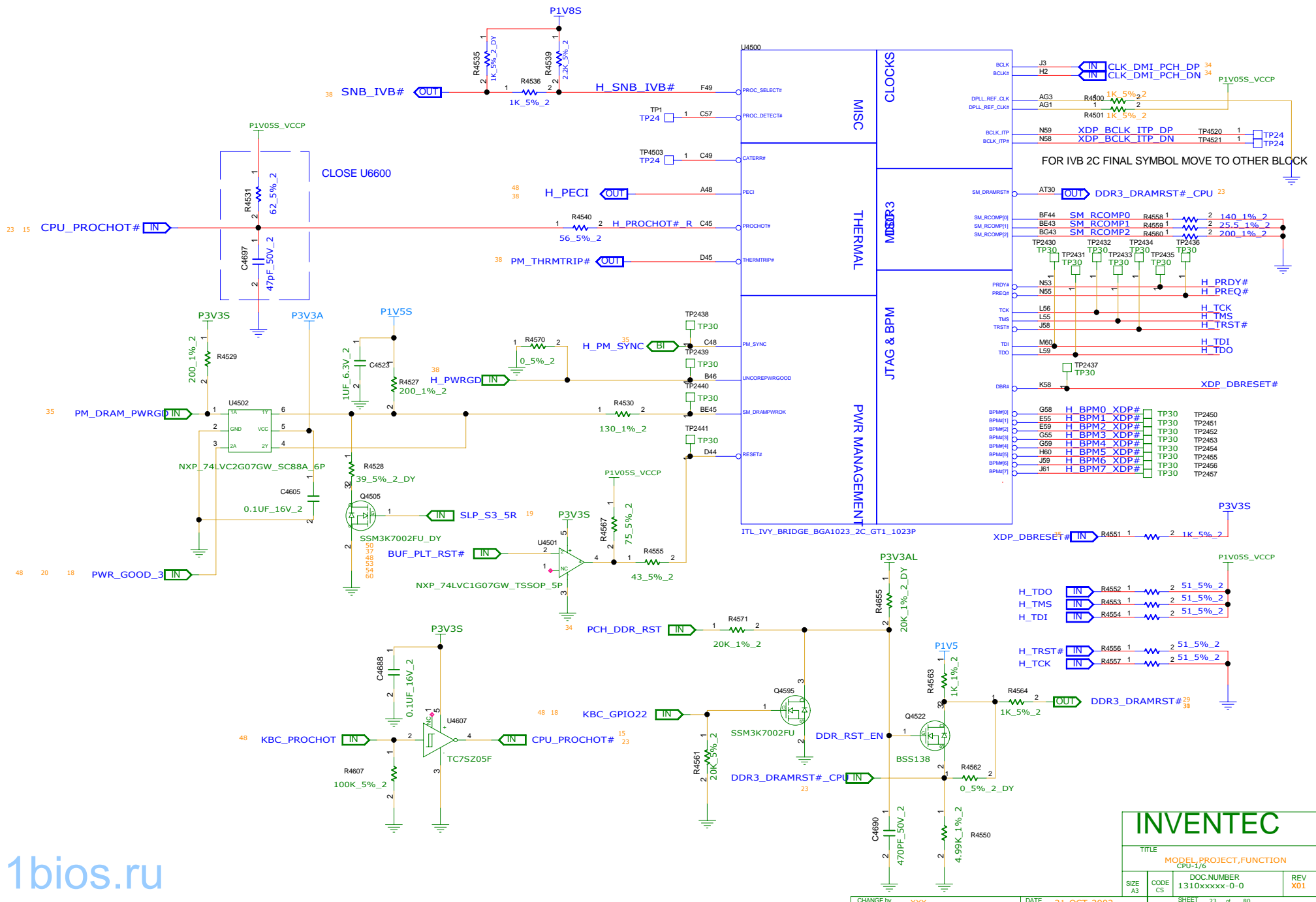
THERM SENSOR



REFERENCE NUMBER:4411~4449

1bios.ru

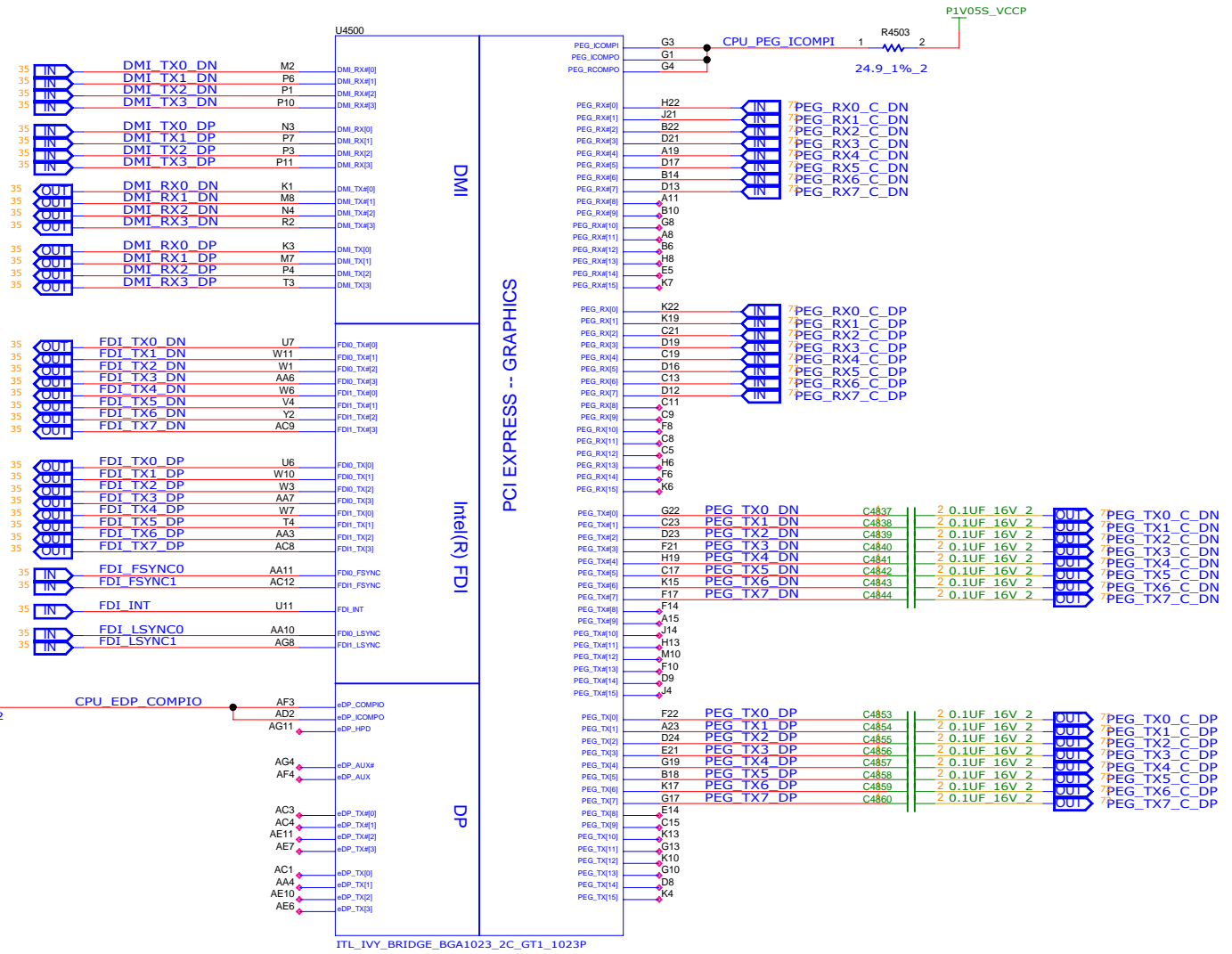
INVENTEC			
TITLE MODEL PROJECT,FUNCTION FAN & THERMAL			
SIZE A3	CODE CS	DOC NUMBER 1310xxxxx-0-0	REV X01
CHANGE by XXX		DATE 21-OCT-2002	SHEET 22 of 80



FOR IVB 2C FINAL SYMBOL MOVE TO OTHER BLOCK

BPM[0]	G58	H BPM0 XDP#	TP30	TP2450
BPM[1]	E55	H BPM1 XDP#	TP30	TP2451
BPM[2]	E59	H BPM2 XDP#	TP30	TP2452
BPM[3]	G55	H BPM3 XDP#	TP30	TP2453
BPM[4]	G59	H BPM4 XDP#	TP30	TP2454
BPM[5]	H60	H BPM5 XDP#	TP30	TP2455
BPM[6]	J59	H BPM6 XDP#	TP30	TP2456
BPM[7]	J61	H BPM7 XDP#	TP30	TP2457

INVENTEC			
TITLE			
MODEL,PROJECT,FUNCTION			
CPU-1/6			
SIZE	CODE	DOC.NUMBER	REV
A3	CS	1310xxxx-0-0	X01
CHANGE by		DATE	SHEET
XXX		21-OCT-2002	23 of 80

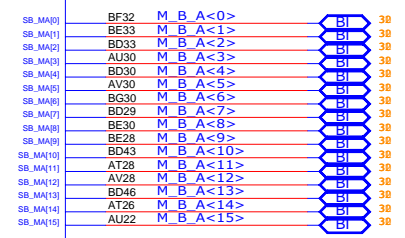
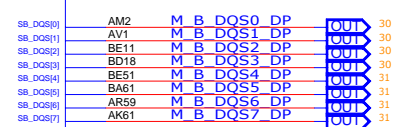
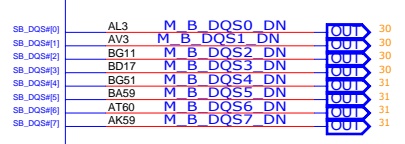
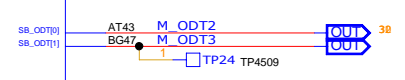
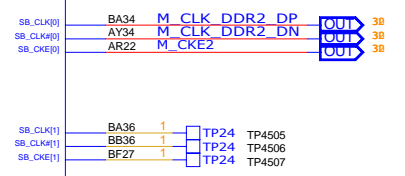
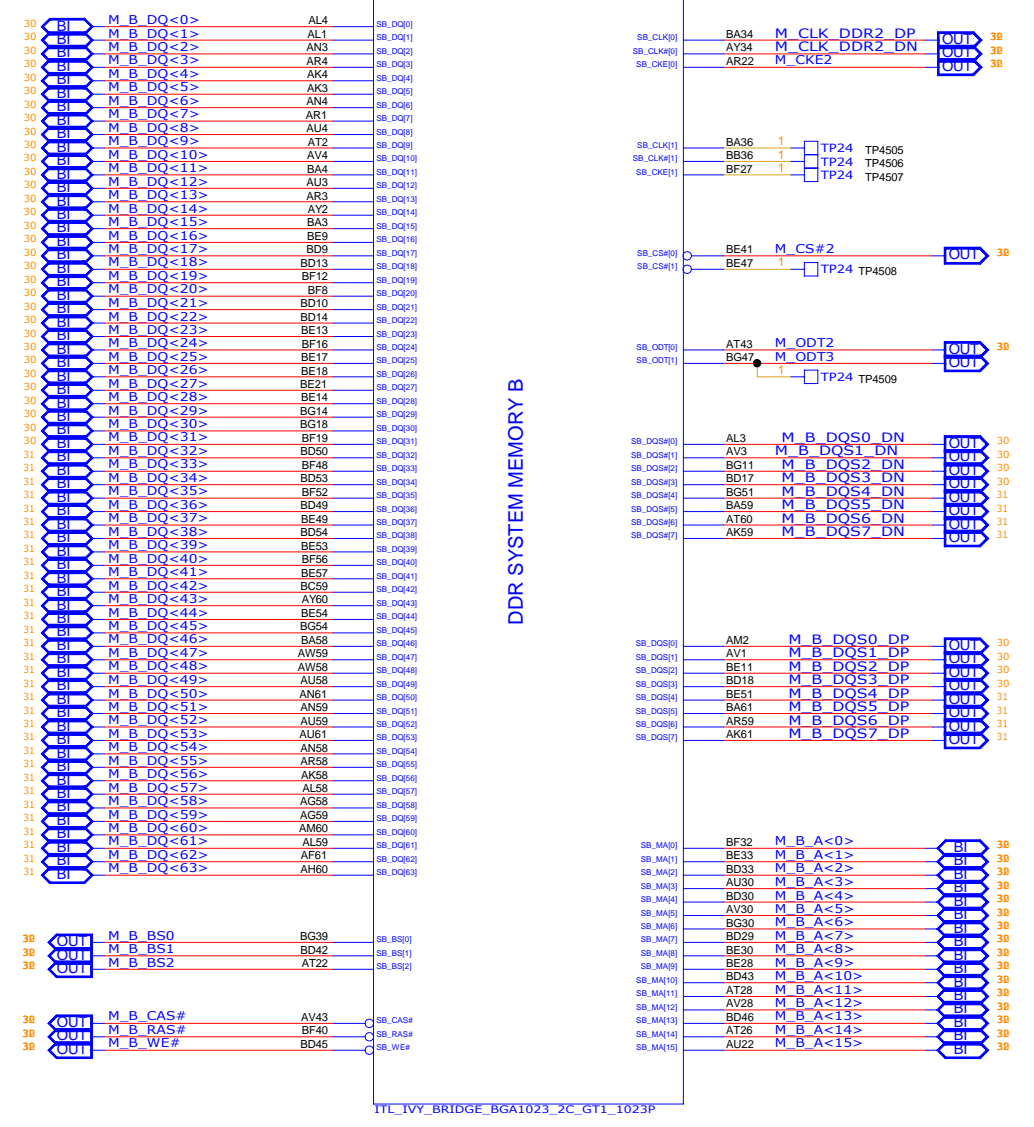
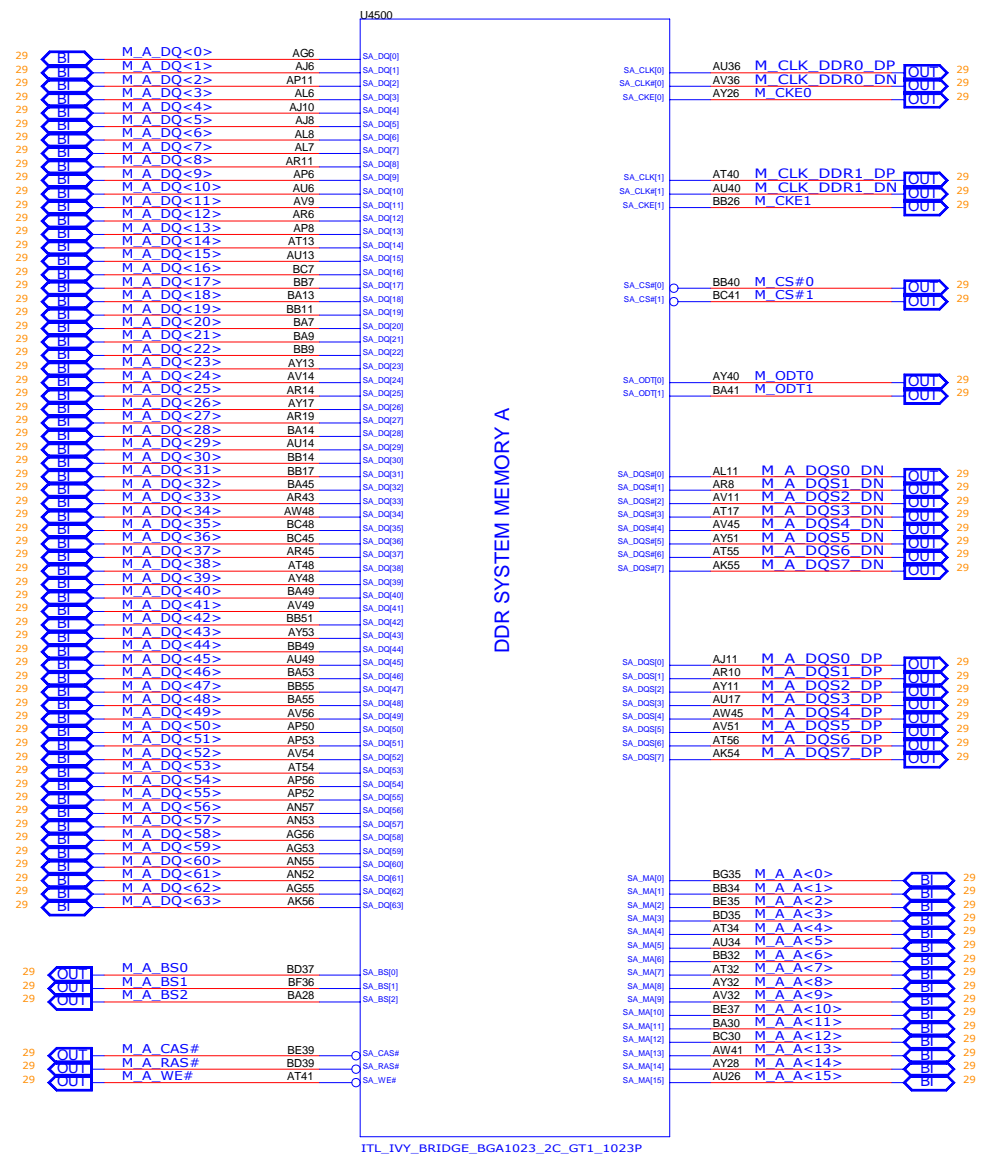


1bios.ru

INVENTEC

TITLE MODEL,PROJECT,FUNCTION
CPU-2/6

SIZE A3	CODE CS	DOC.NUMBER 1310xxxxx-0-0	REV X01
CHANGE by XXX		DATE 21-OCT-2002	SHEET 24 of 80



1bios.ru

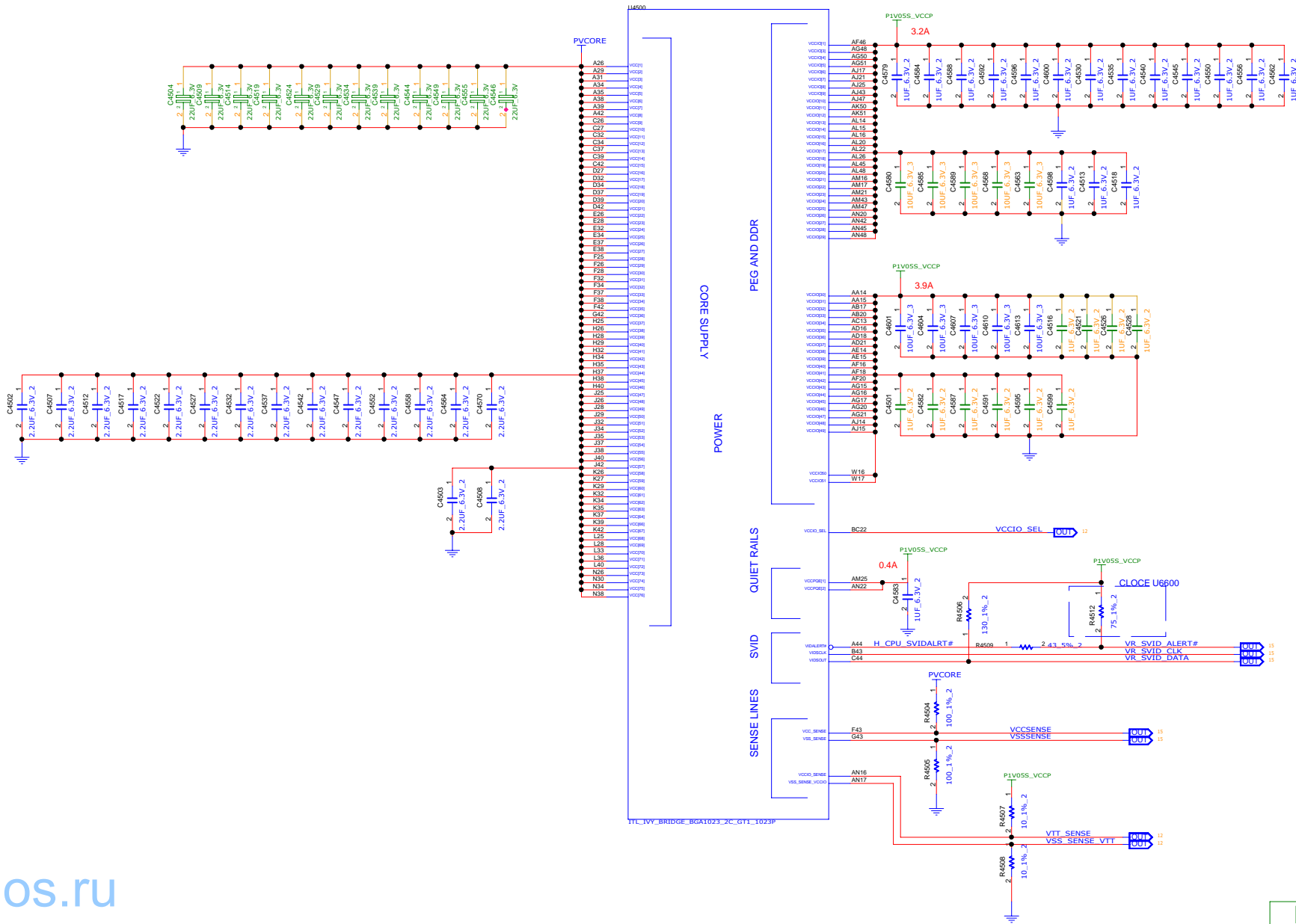
INVENTEC

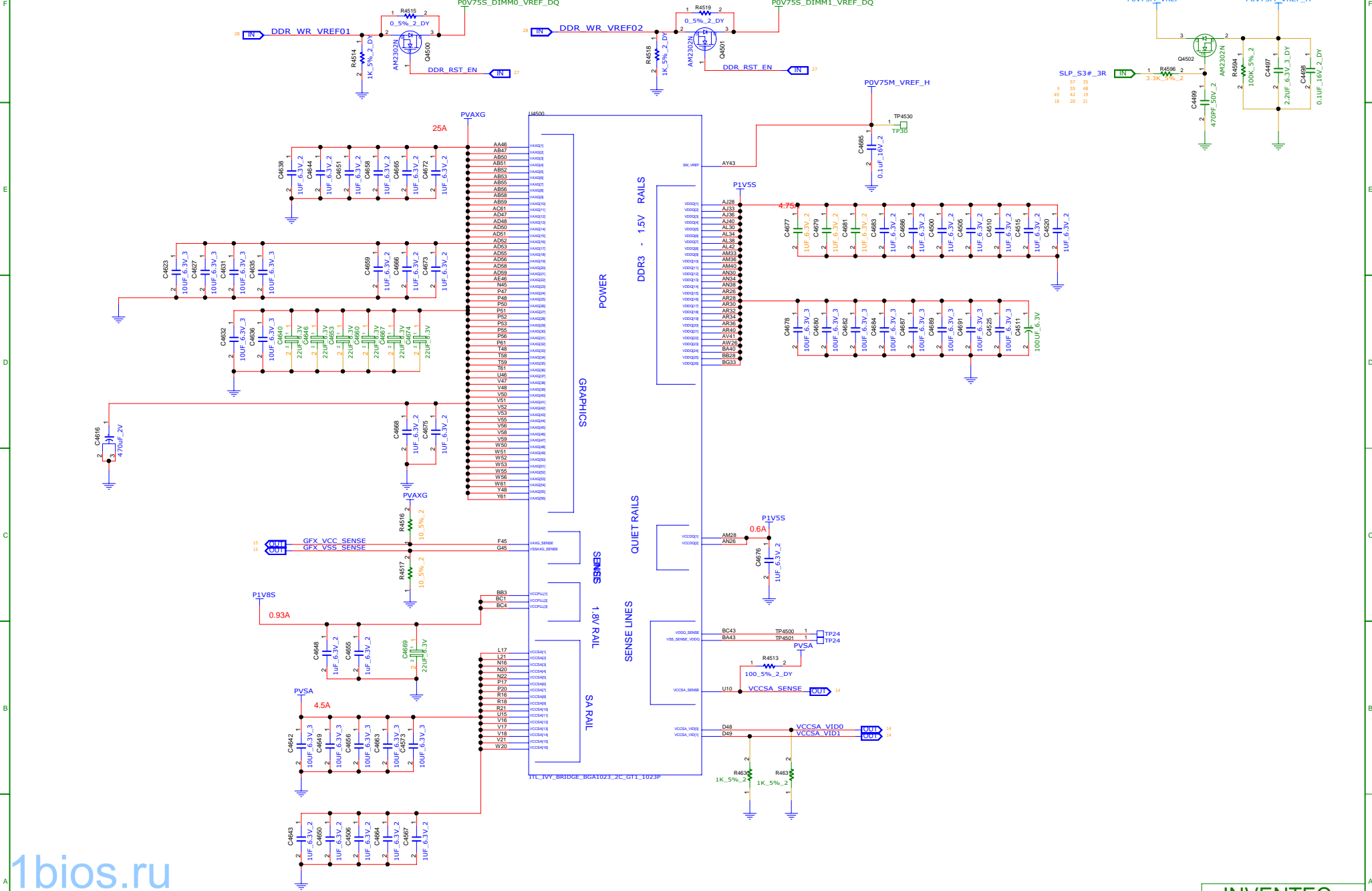
TITLE MODEL,PROJECT,FUNCTION

CPU3/6

SIZE A3	CODE CS	DOC NUMBER 1310xxxxx-0-0	REV X01
---------	---------	--------------------------	---------

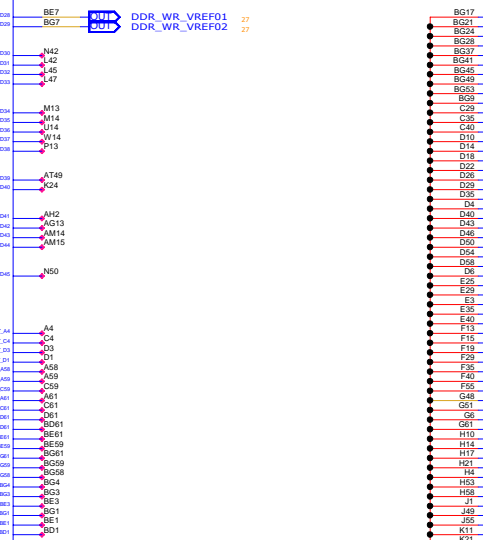
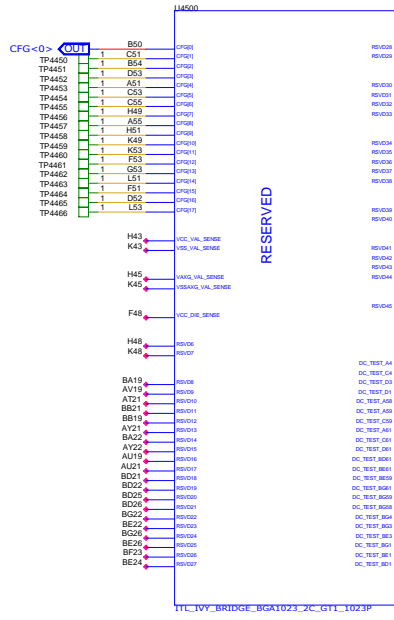
SHEET 25 of 80

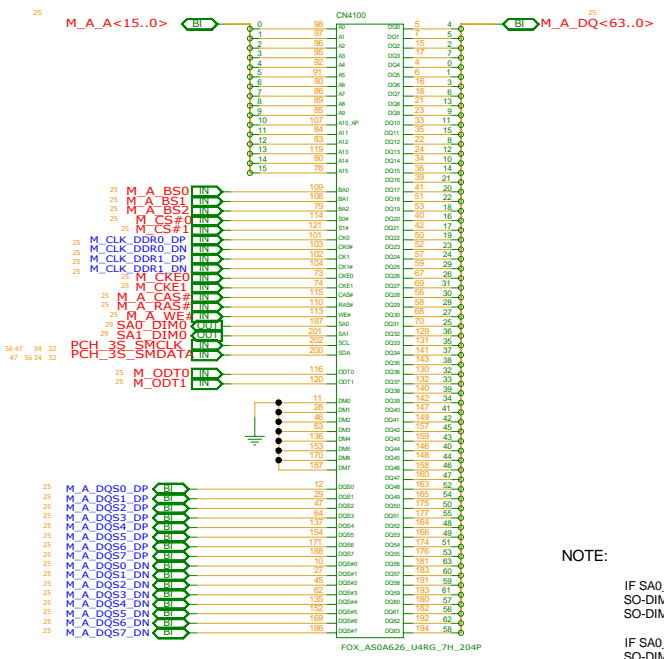




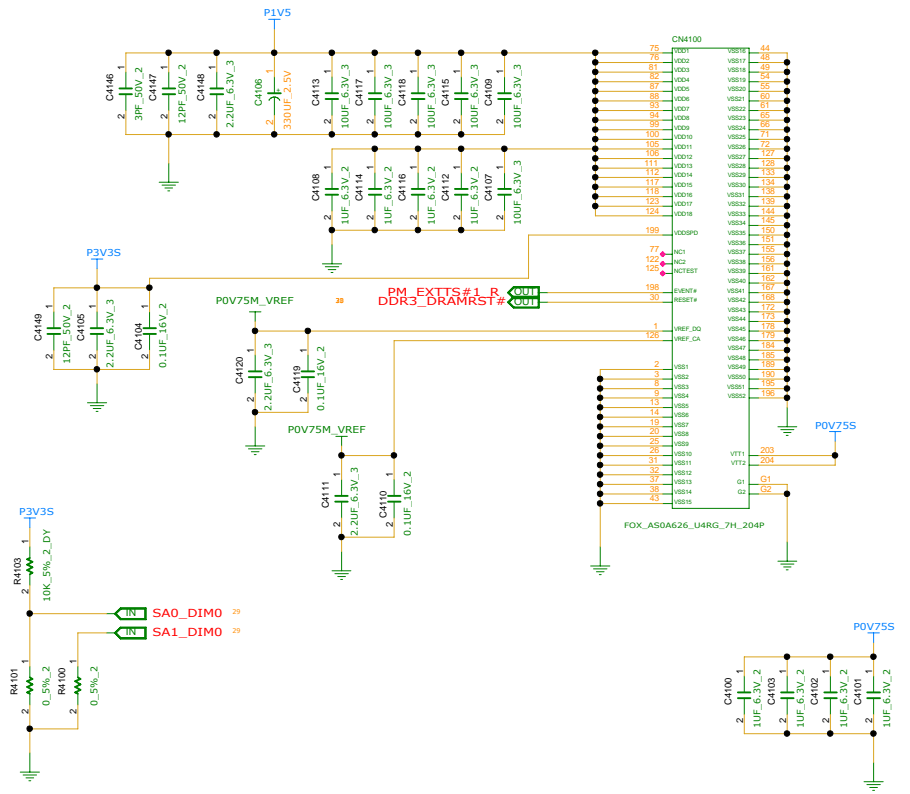
1bios.ru

INVENTEC			
TITLE MODEL,PROJECT,FUNCTION			
CPU-5/6			
SIZE C	CODE CS	DOCNUMBER 1310DAVXX-01-0	REV X01
SHEET 37		OF 88	





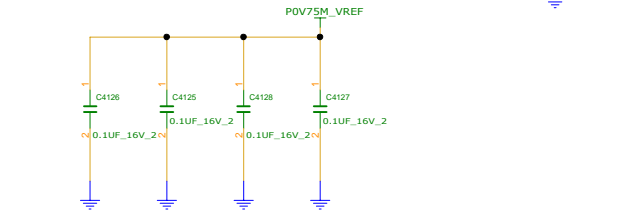
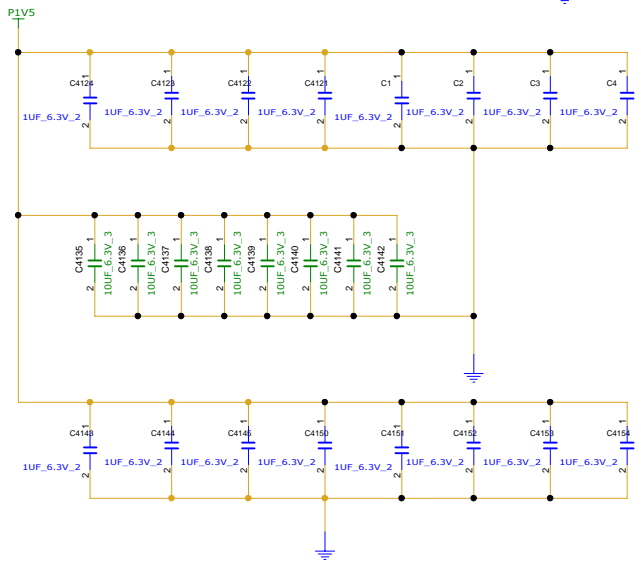
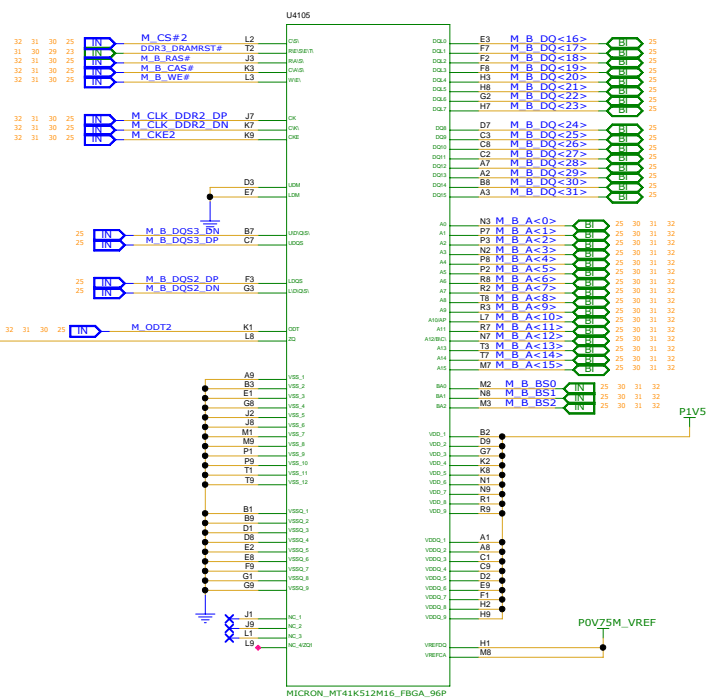
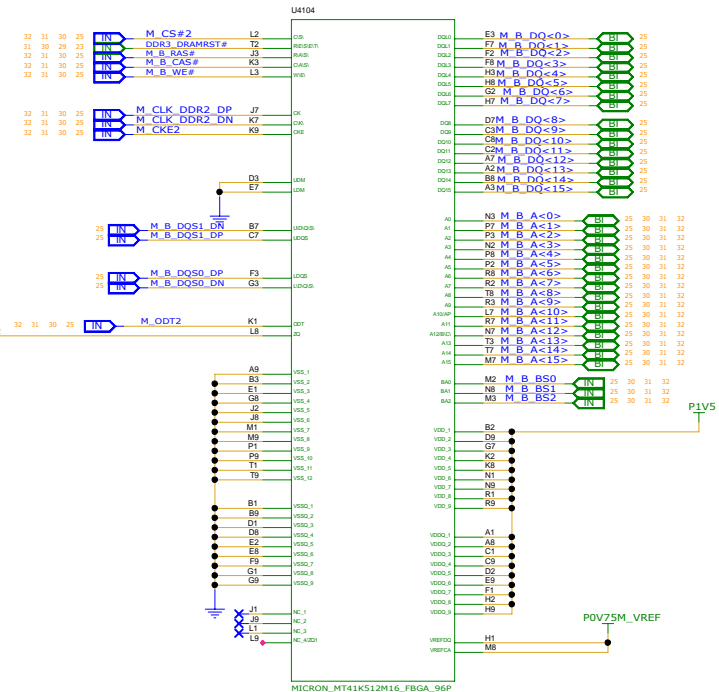
NOTE:
 IF SA0_DIM0=0, SA1_DIM0=0
 SO-DIMMA SPD ADDRESS IS 0XA0
 SO-DIMMA TS ADDRESS IS 0X30
 IF SA0_DIM0=1, SA1_DIM0=0
 SO-DIMMA SPD ADDRESS IS 0XA2
 SO-DIMMA TS ADDRESS IS 0X32



REFERENCE NUMBER:4100-4299

DDR3_B_0

DDR3_B_1

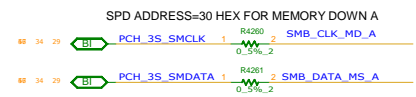
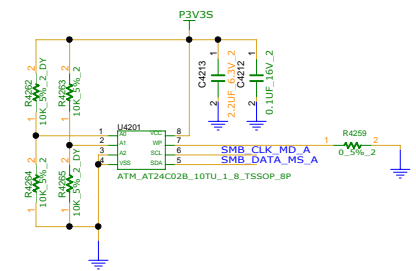
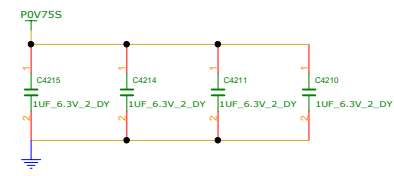
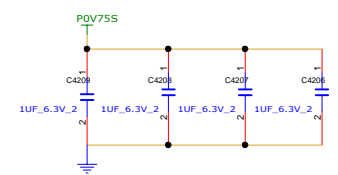
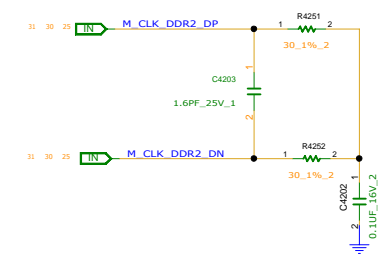
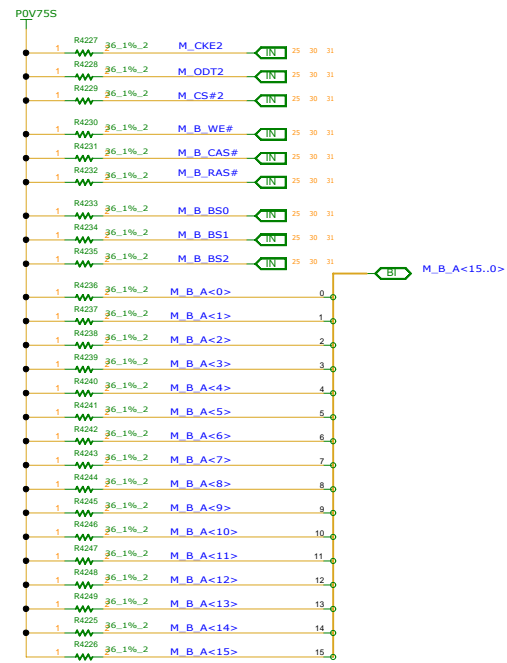


1bios.ru

INVENTEC

TITLE: MODEL,PROJECT,FUNCTION
35_DDR3L-2

SIZE: C	CODE: CS	DOCNUMBER: 1310XXXXX-0-10	REV: X01
SHEET: 30		of 60	

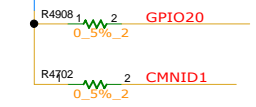


1bios.ru

INVENTEC			
TITLE MODEL,PROJECT,FUNCTION 37_DDR_TERMINAL			
SIZE C	CODE CS	DOCNUMBER 1310XXXXX-0-10	REV X01
CHANGE BY xxx		DATE 21-OCT-2002	SHEET 32 of 80

REFERENCE NUMBER : 4700~4949

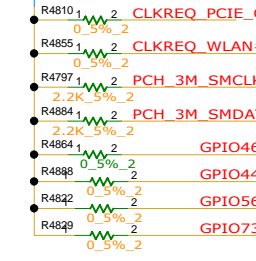
P3V3S



BANDIT PLATFORM ID

GPIO34 0
GPIO18 1

P3V3A

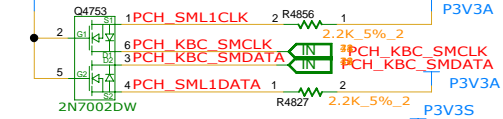


MEDIA CARD

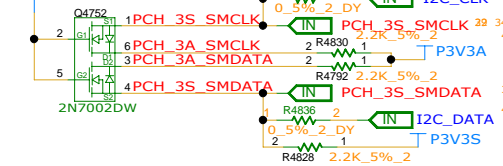
WLAN

NIC

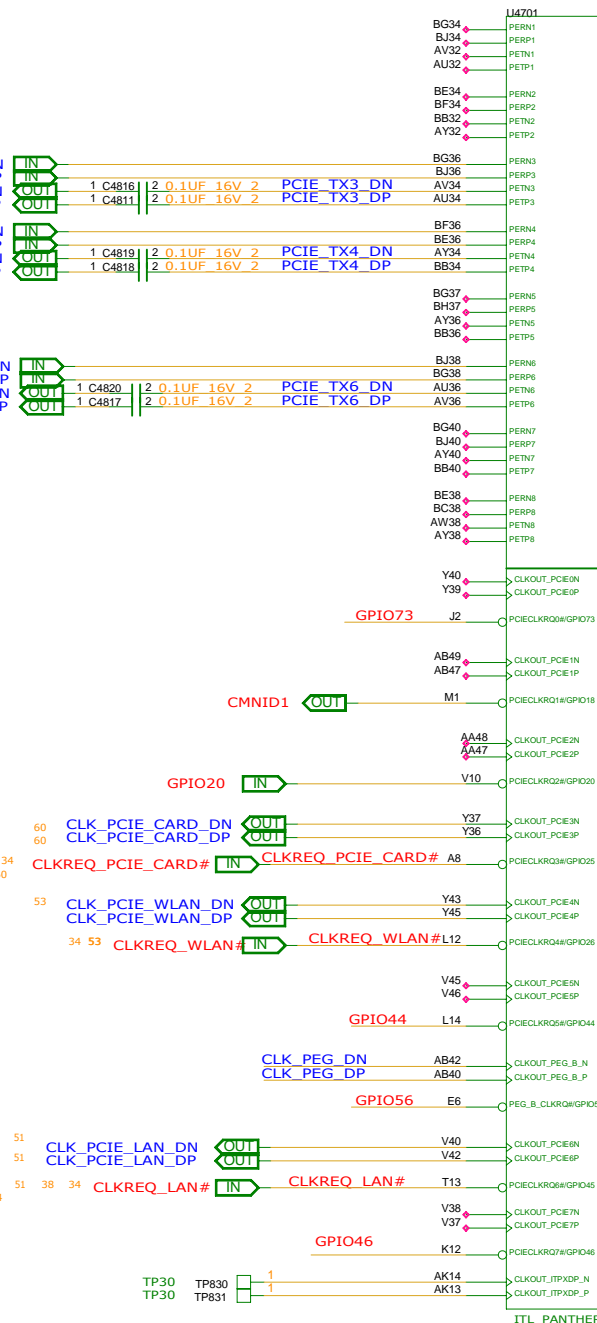
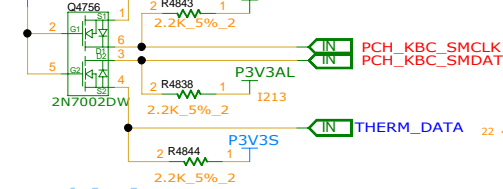
P3V3A



P3V3S



P3V3S



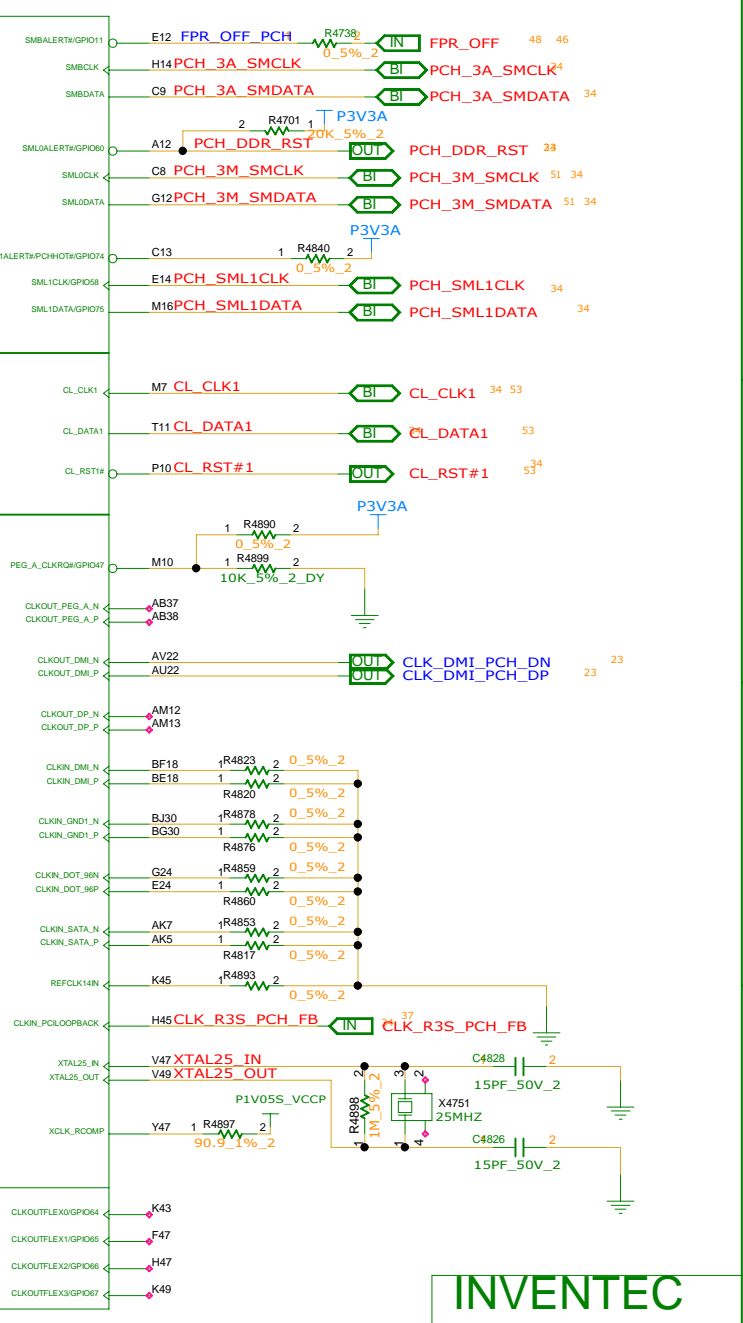
LI4701
PERN1
PERP1
PETN1
PETP1
PERN2
PERP2
PETN2
PETP2
PERN3
PERP3
PETN3
PETP3
PERN4
PERP4
PETN4
PETP4
PERN5
PERP5
PETN5
PETP5
PERN6
PERP6
PETN6
PETP6
PERN7
PERP7
PETN7
PETP7
PERN8
PERP8
PETN8
PETP8
Y40
Y39
Y2
AB49
AB47
M1
AA48
AA47
V10
Y37
Y36
Y43
Y45
Y43
Y45
V45
V46
L14
AB42
AB40
E6
V40
V42
T13
V38
V37
K12
AK14
AK13
ITL_PANTHERPOINT_FCBGA_989P

SMBUS

Controller Link

CLOCKS

FLEX CLOCKS



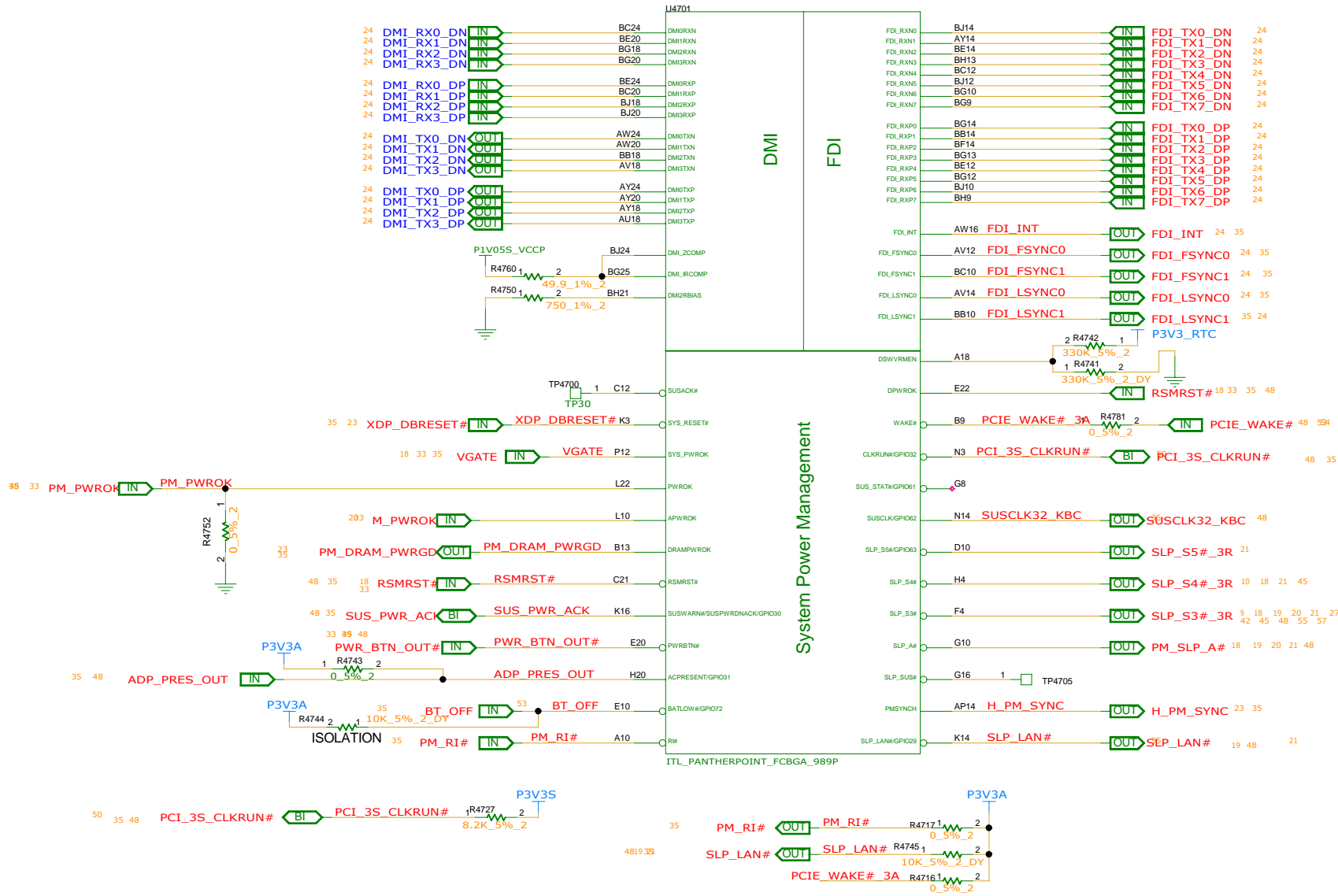
INVENTEC			
TITLE PANTHER POINT 2/9			
MODEL PROJECT,FUNCTION			
SIZE A3	CODE CS	DOC NUMBER 1310xxxxx-0-0	REV X01
CHANGE by XXX		DATE 21-OCT-2002	SHEET 34 of 80

1bios.ru

REFERENCE NUMBER : 4700-4949

NOTE:

- 1.SLP_SUS AND SUSACK# ARE NC IF DSW IS NOT SUPPORTED
- 2.DPWROK SHOULD CONNECT TO RSMRST# IF DSW NOT SUPPORTED
- 3.PCH_DPWROK PULL UP TO P3V3S ENABLES DSW WUPPORT. NO INSTALL R4752 TO DISABLE DSW

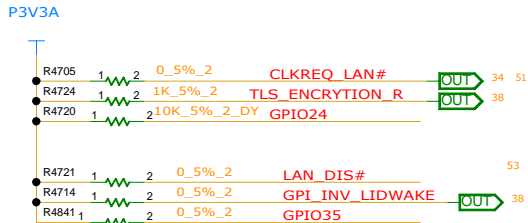
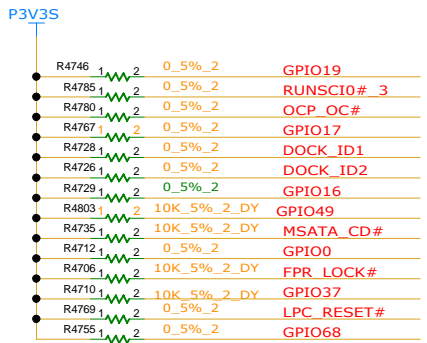
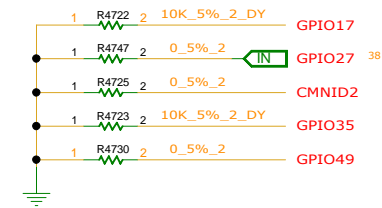


1bios.ru

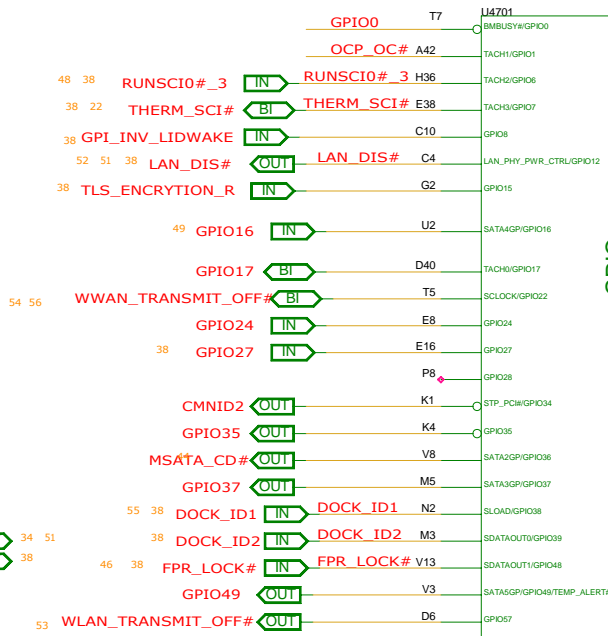
INVENTEC

TITLE			
MODEL PROJECT FUNCTION PANTHER POINT_3/9			
SIZE A3	CODE CS	DOC NUMBER 1310xxxxx-0-0	REV X01

REFERENCE NUMER : 4700~4949

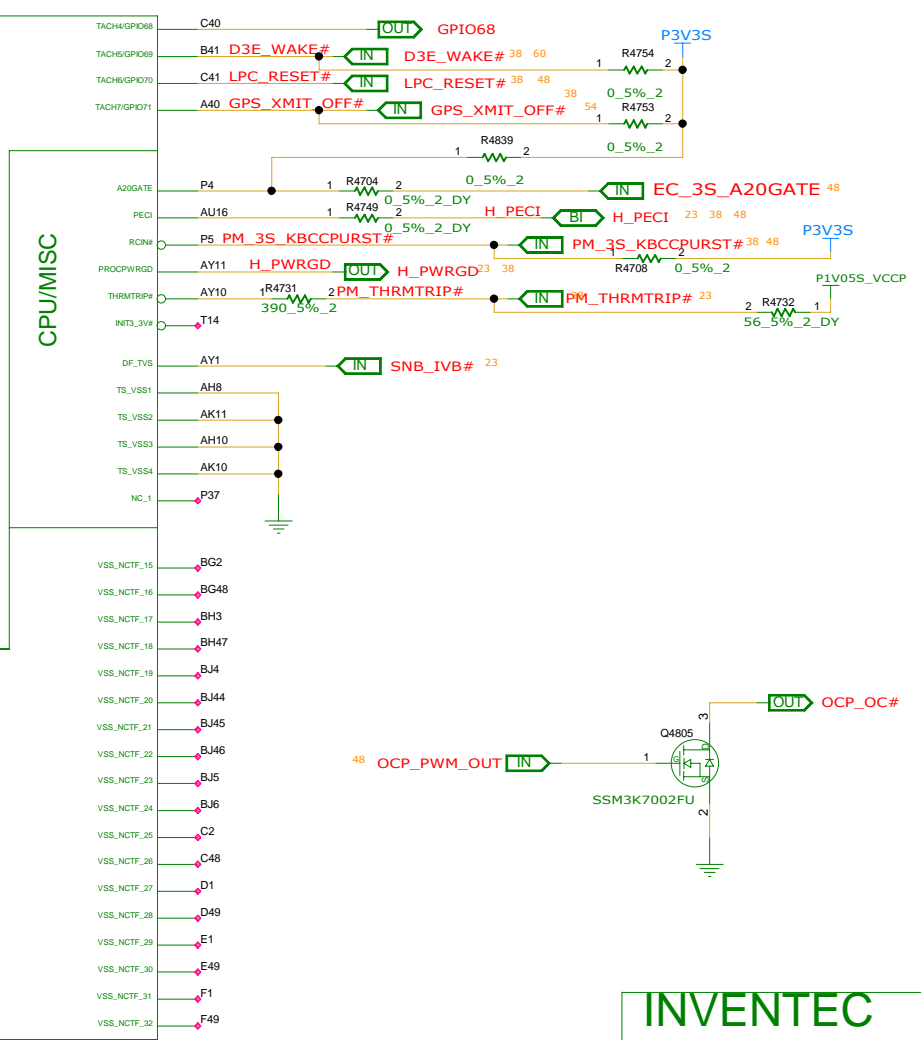


GPIO17	GPIO35	GPIO49	GPIO50	
R4767	R4841	R4803	R4758	H
R4722	R4723	R4730	R4719	L
0	1	0	0	SI 1
0	1	0	1	SI 1B
0	1	1	0	SI 2
1	0	0	0	PV 1
1	1	0	0	MV



GPIO

NCTF



ITL_PANTHERPOINT_FCBGA_989P

INVENTEC

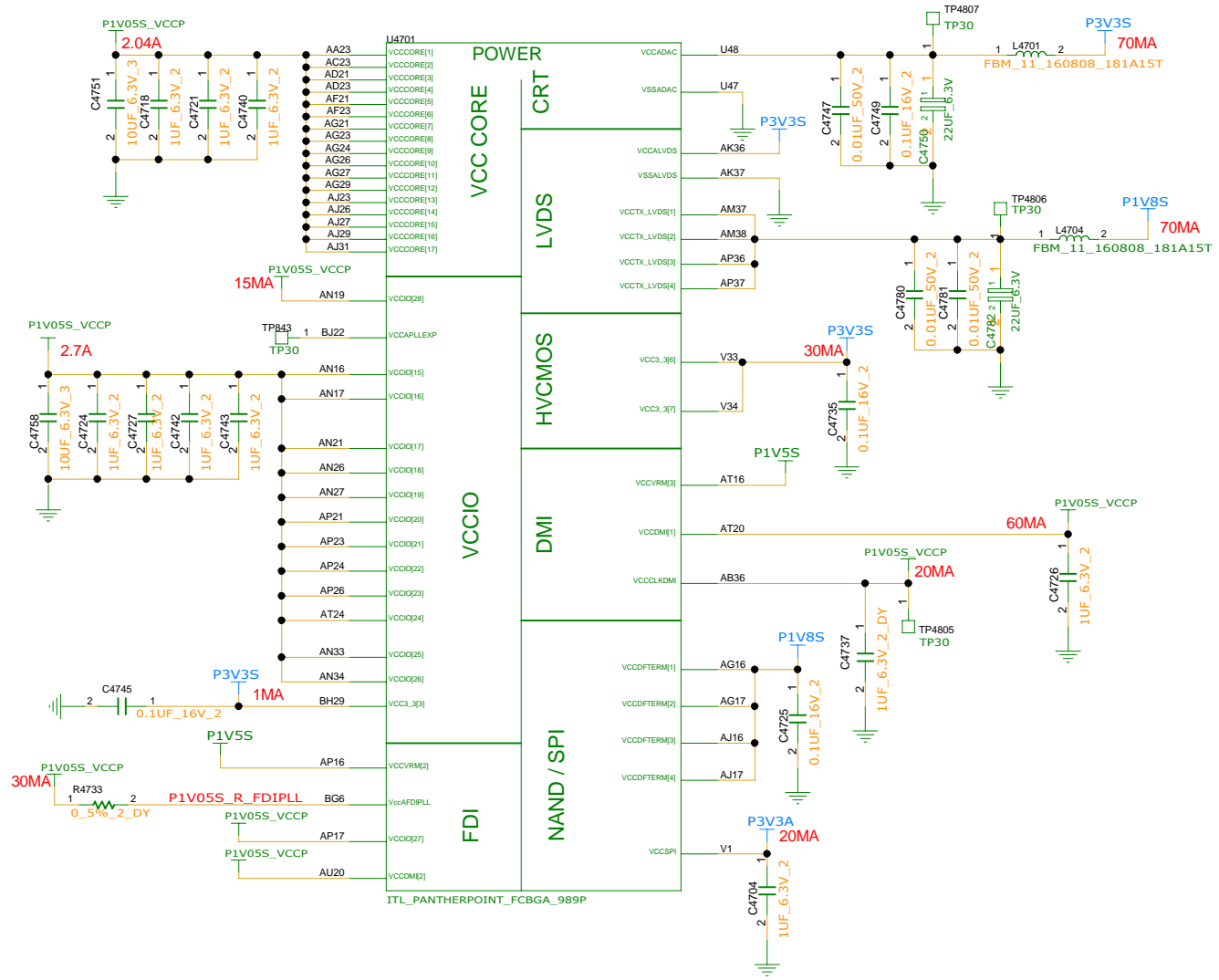
TITLE: MODEL PROJECT,FUNCTION
PANTHER POINT_6/9

DOC NUMBER: 1310xxxx-0-0

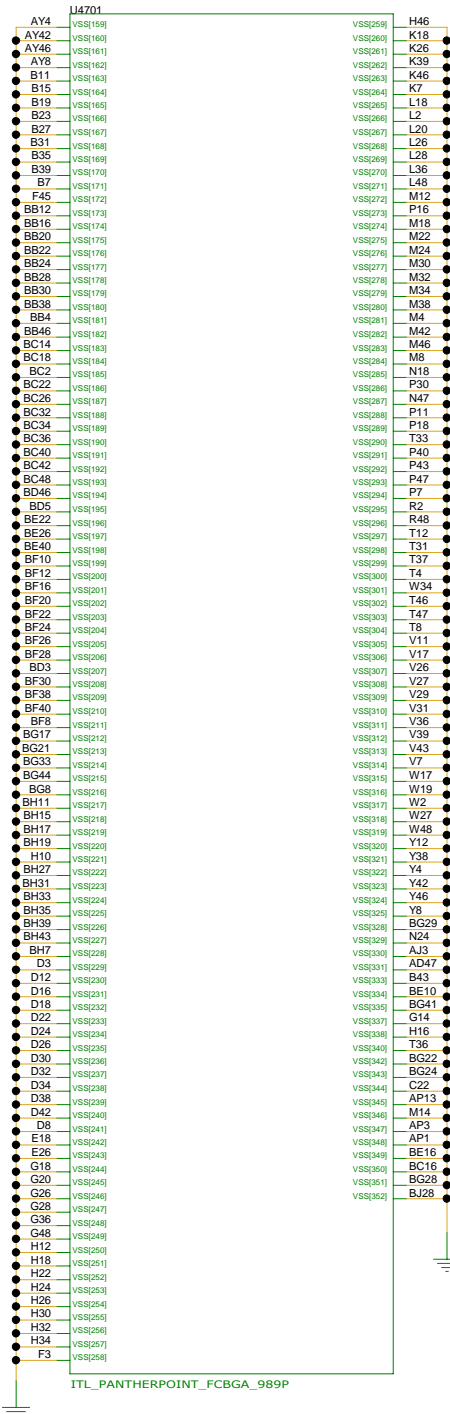
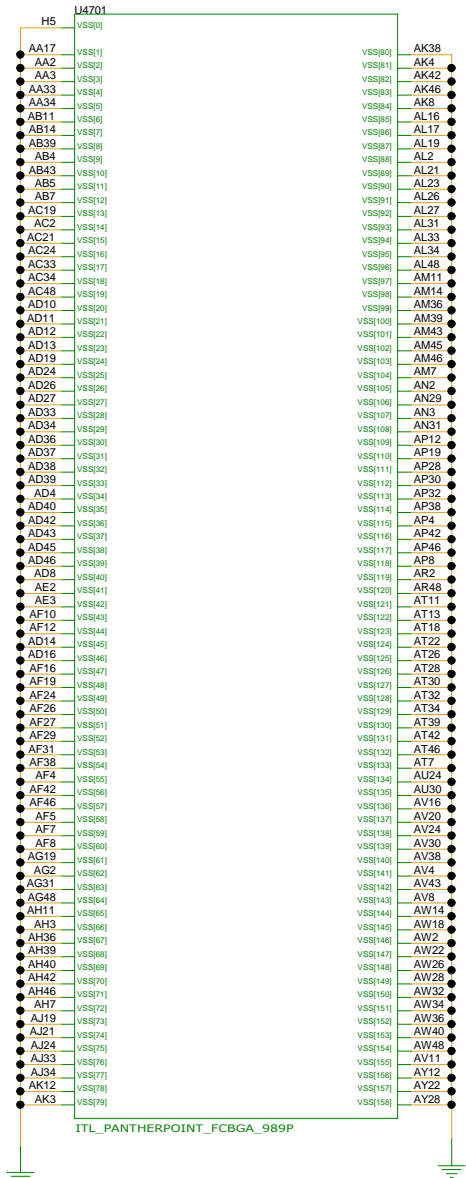
REV: X01

SIZE: A3, CODE: CS, SHEET: 38 of 80

1bios.ru



REFERENCE NUMER : 4700~4949



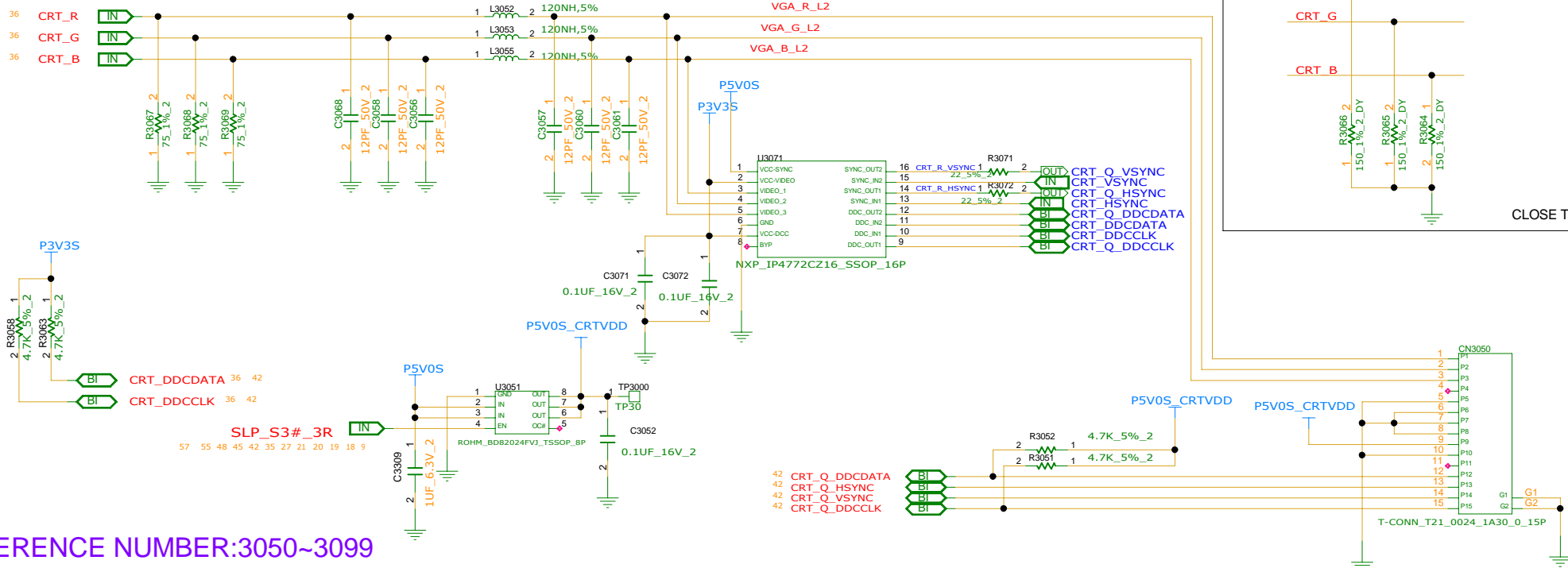
1bios.ru

INVENTEC

TITLE: MODEL,PROJECT,FUNCTION
PANTHER POINT 3/9

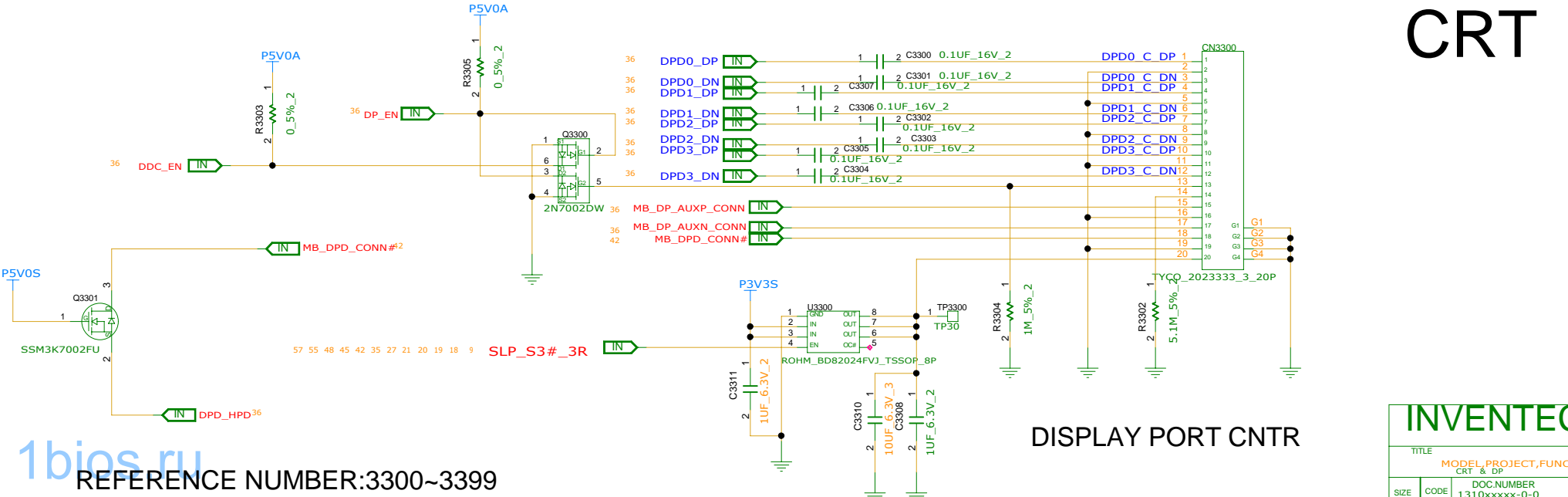
SIZE A3	CODE CS	DOC NUMBER 1310xxxxx-0-0	REV X01
---------	---------	--------------------------	---------

SHEET 41 of 80



REFERENCE NUMBER:3050~3099

CRT



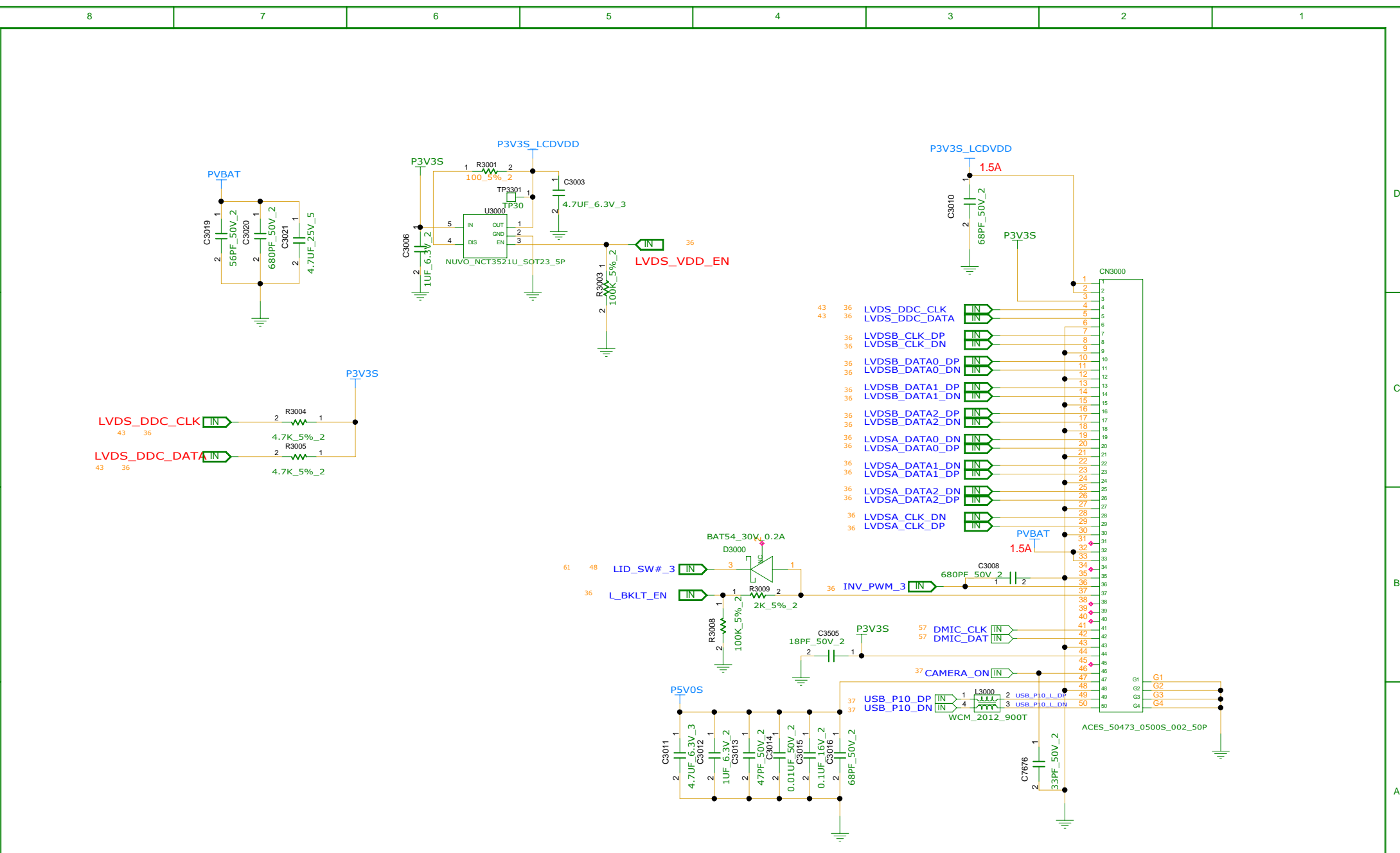
REFERENCE NUMBER:3300~3399

DISPLAY PORT CNTR

1bios.ru

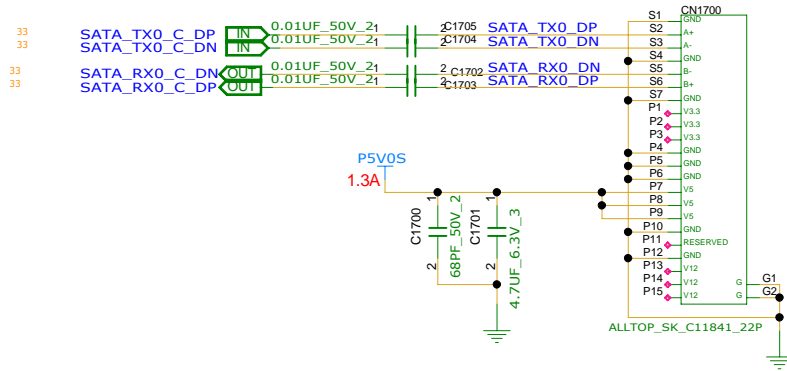
INVENTEC

TITLE		
MODEL PROJECT,FUNCTION		
CRT & DP		
SIZE	CODE	DOC NUMBER
A3	CS	1310xxxxx-0-0
REV		X01
CHANGE by		XXX
DATE		21-OCT-2002
SHEET		42 of 80



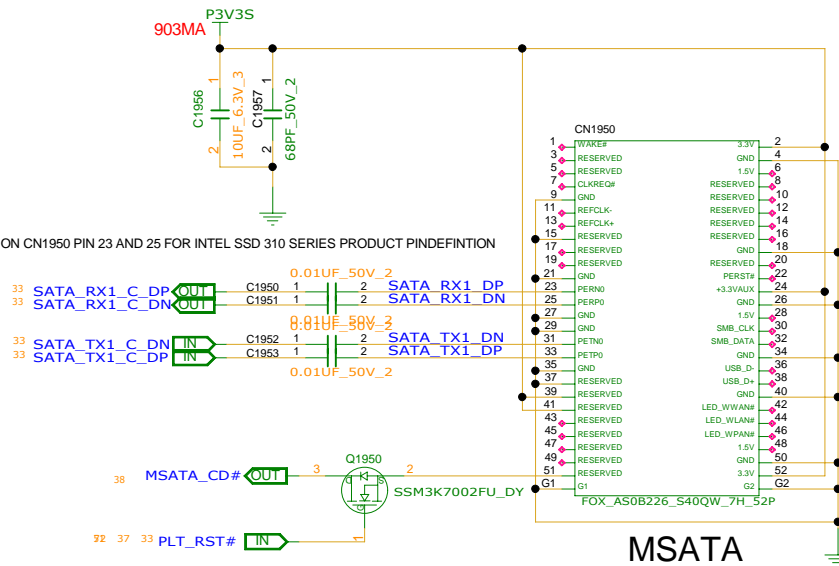
1bico.ru
 REFERENCE NUMBER:3000~3049

INVENTEC			
TITLE MODEL PROJECT,FUNCTION LCM & WEBCAM			
SIZE A3		CODE CS	
DOC NUMBER 1310xxxx-0-0		REV X01	
CHANGE by XXX		DATE 21-OCT-2002	
SHEET 43 of 80			



SATA HDD

REFERENCE NUMBER:1700~1749



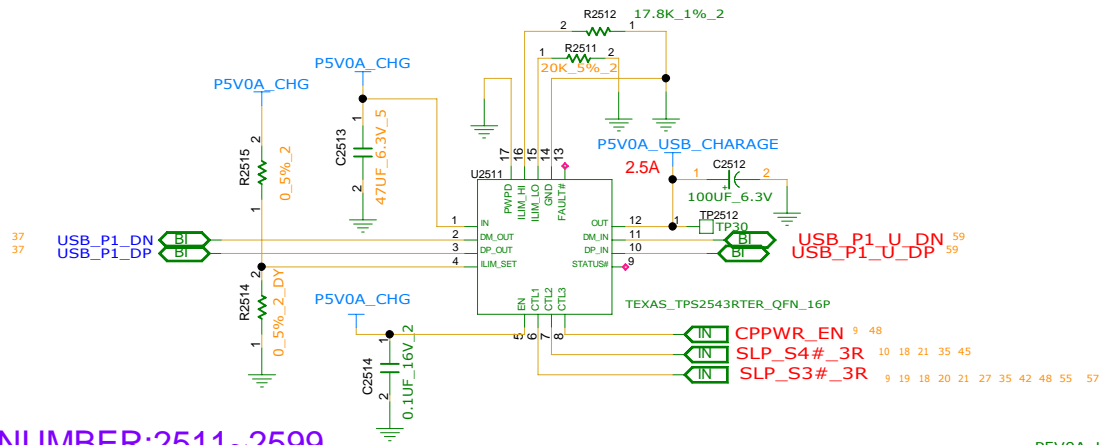
MSATA

REFERENCE NUMBER:1950~1999

HDD (CN1700) : P/N 6012B0449501
HDD TRANSFOR CNTR (CN1701) : P/N 6012B0451301

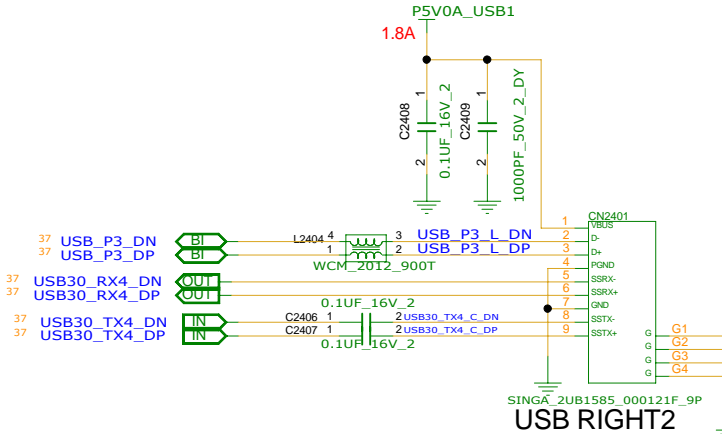
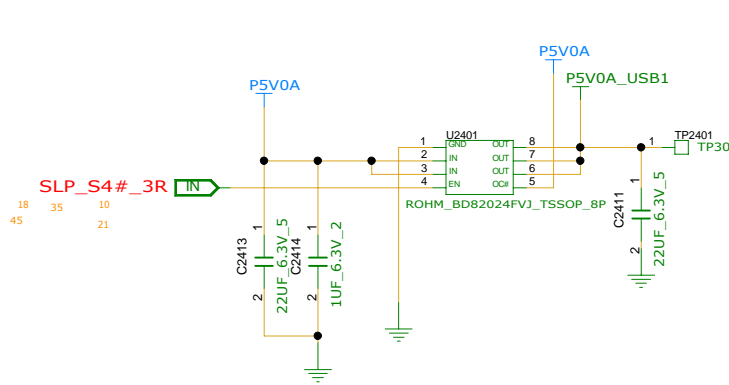
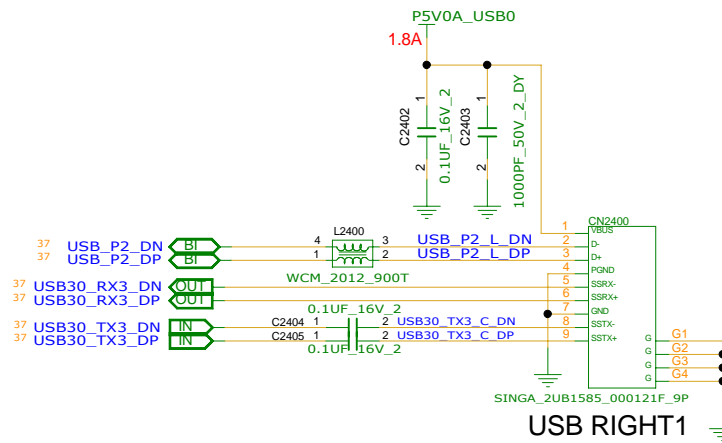
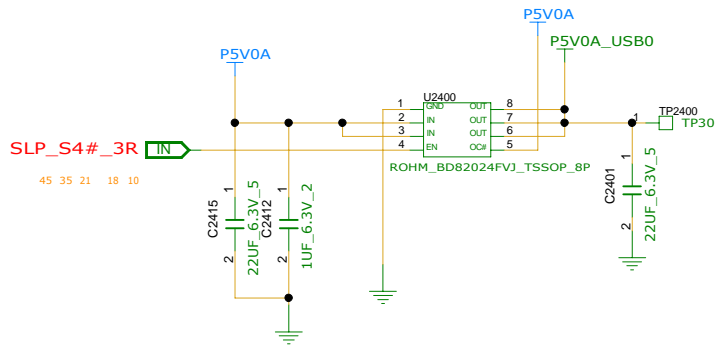
INVENTEC

TITLE			
MODEL PROJECT FUNCTION			
SATA_HDD & M-SATA_CNTR			
SIZE	CODE	DOC NUMBER	REV
A3	CS	1310xxxxx-0-0	X01
SHEET		44 of 80	



	R2511	R2515	R2514
TPS2543	20K	10K	NI
TPS2540/A Pi5USB2543	NI	NI	0

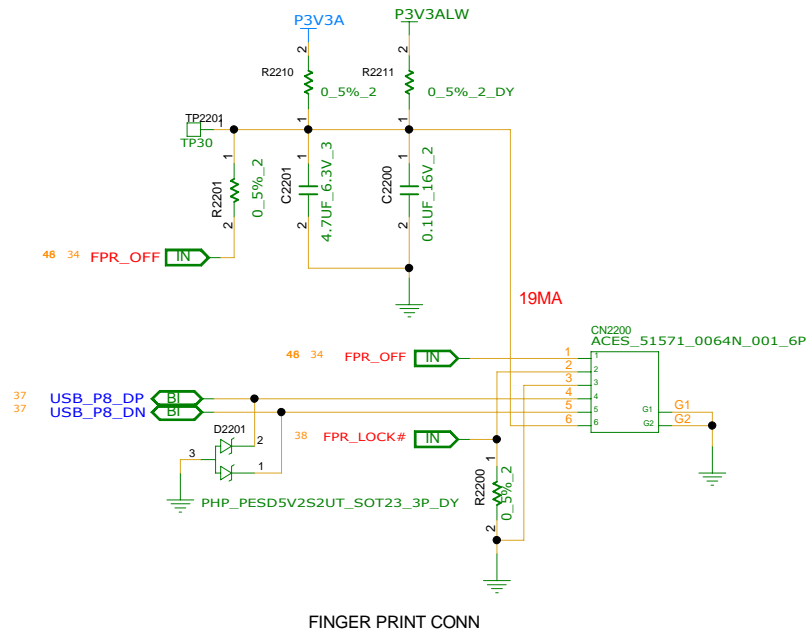
REFERENCE NUMBER:2511~2599

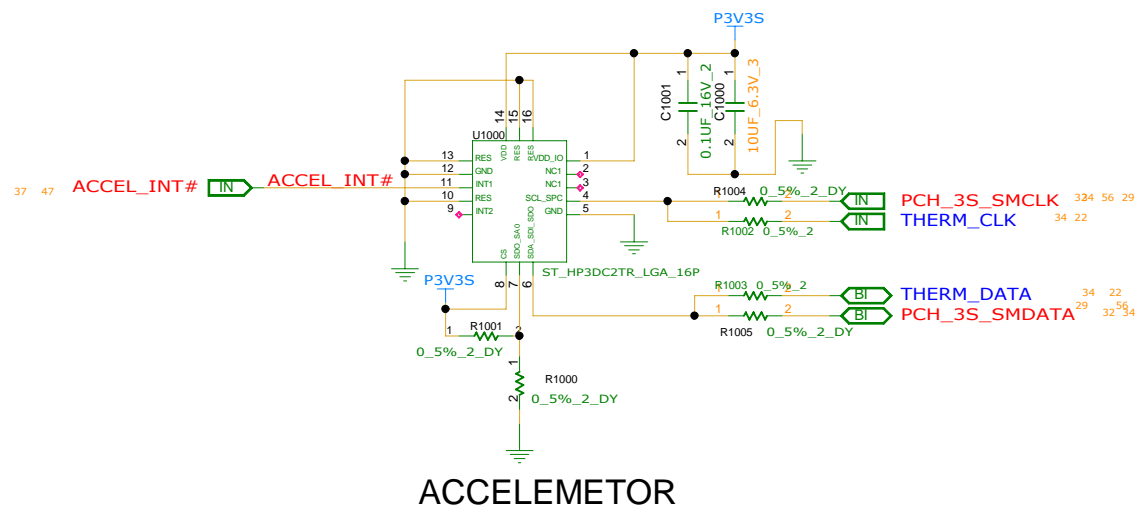


1bios.ru

REFERENCE NUMBER:2400~2499

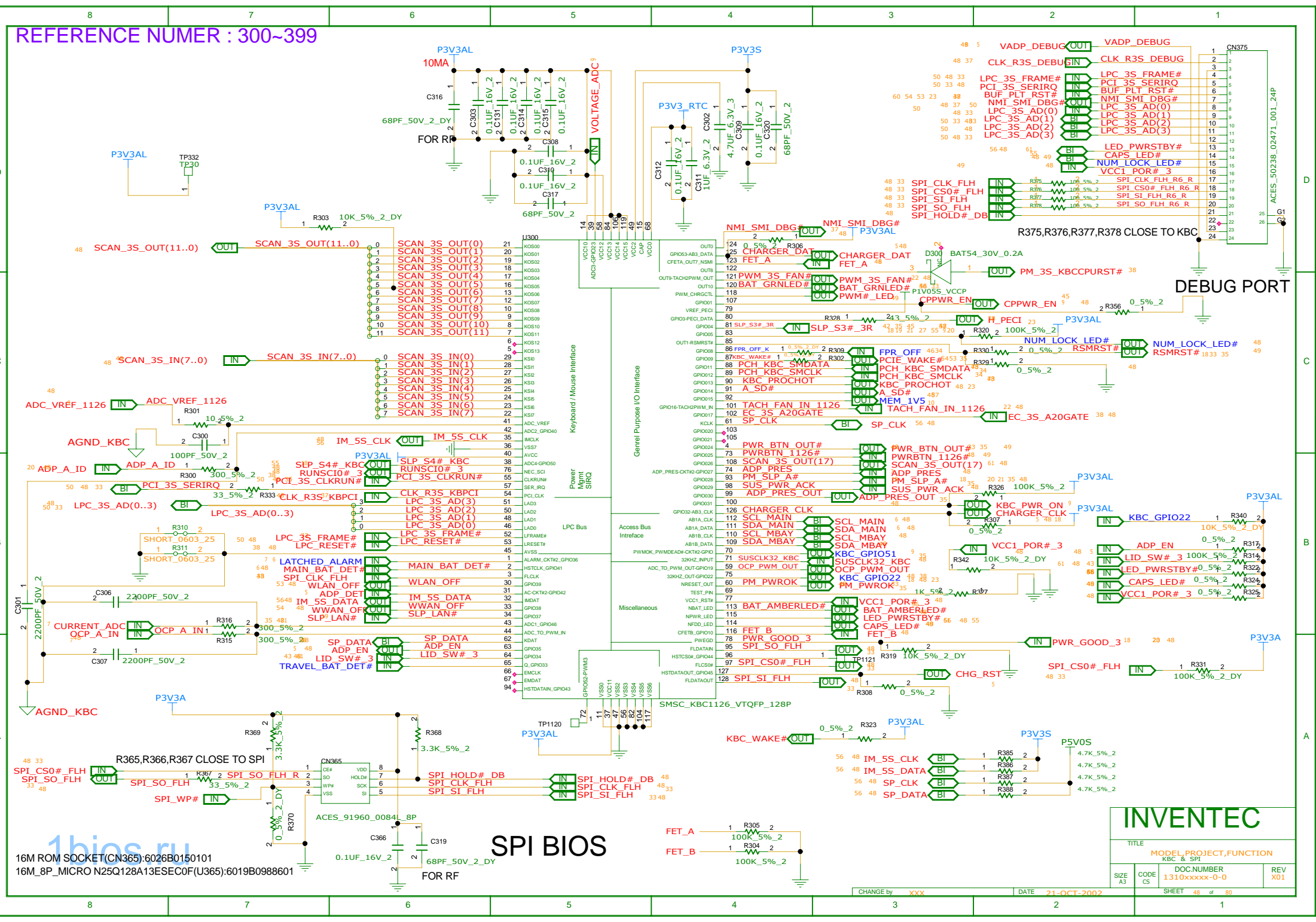
INVENTEC			
TITLE MODEL PROJECT FUNCTION USB & USB CHARGER			
SIZE A3	CODE CS	DOC NUMBER 1310xxxxx-0-0	REV X01
SHEET 45 of 80			





1bios.ru
 REFERENCE NUMER : 1000~1099

INVENTEC			
TITLE MODEL,PROJECT,FUNCTION ACCELEMETOR			
SIZE A3	CODE CS	DOC.NUMBER 1310xxxxx-0-0	REV X01
CHANGE by XXX		DATE 21-OCT-2002	SHEET 47 of 80

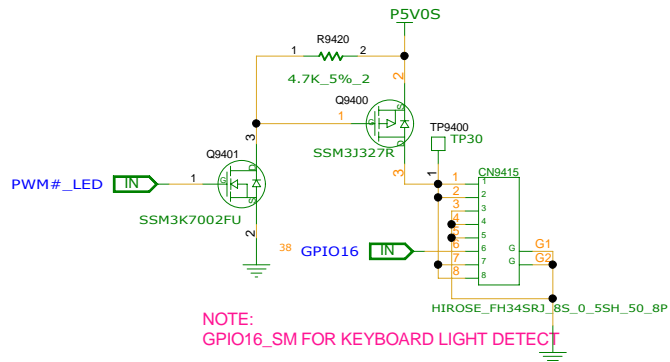
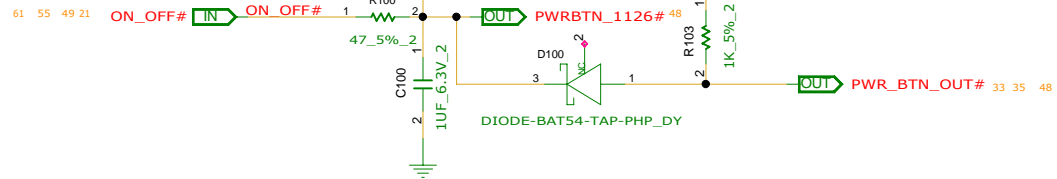
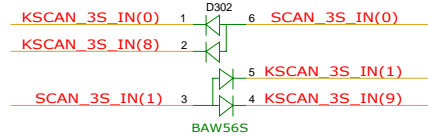
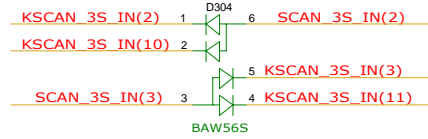
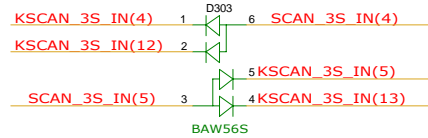
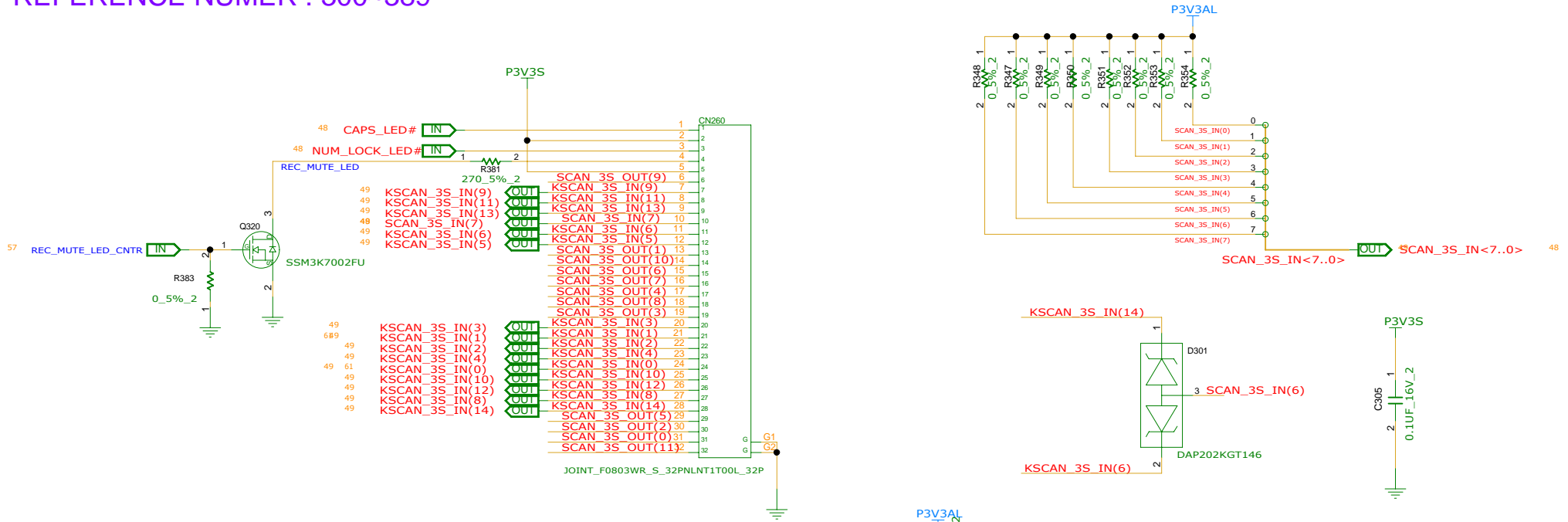


16M ROM SOCKET(CN365):6026B0150101
16M_8P_MICRO N25Q128A13ESEC0F(U365):6019B0988601

SPI BIOS

INVENTEC			
TITLE MODEL PROJECT,FUNCTION			
KBC & SPI 1310xxxxx-0-0			
SIZE A3	CODE CS	DOC NUMBER	REV X01
		1310xxxxx-0-0	
		SHEET 48	of 80

REFERENCE NUMER : 300~389



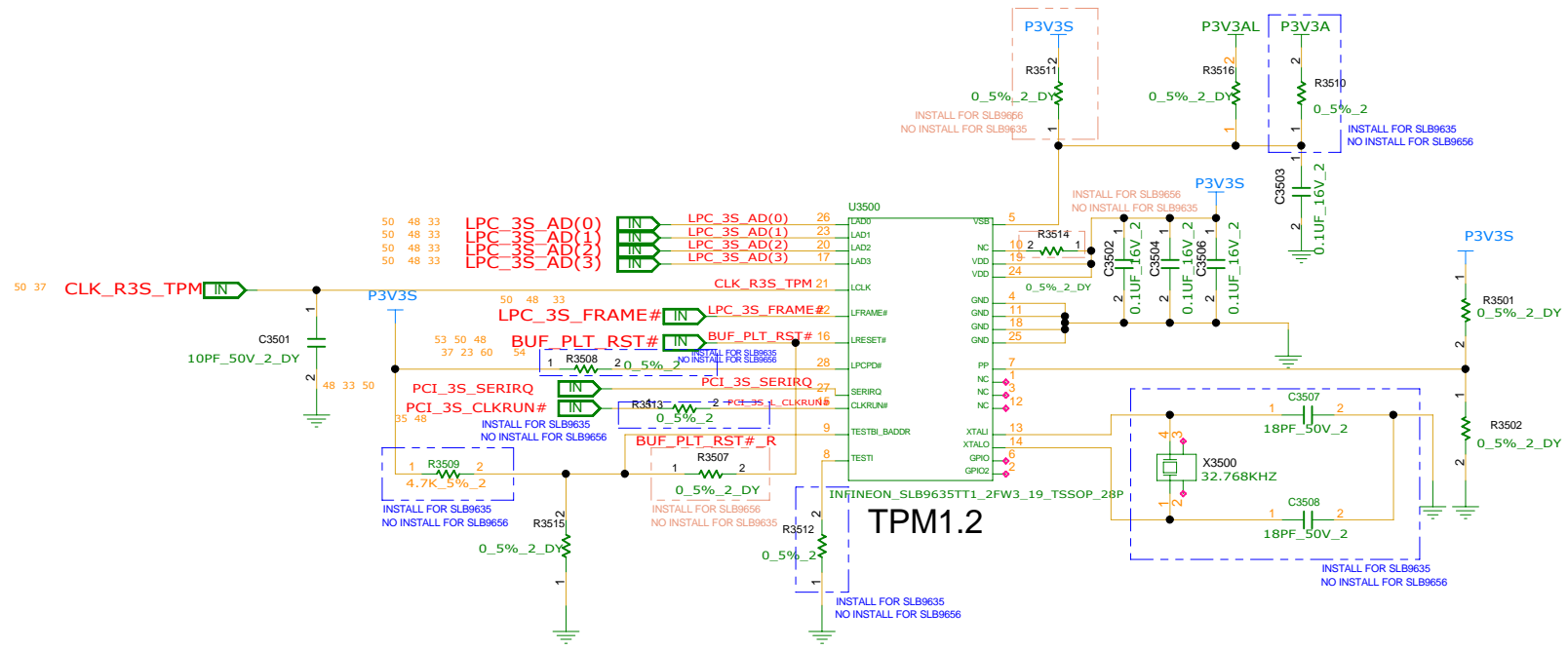
NOTE:
GPIO16_SM FOR KEYBOARD LIGHT DETECT

1bios.ru

KEYBOARD BACK LIGHT CNTR

INVENTEC

TITLE		
MODEL PROJECT,FUNCTION		
KEYBOARD		
SIZE	CODE	DOC NUMBER
A3	CS	1310xxxxx-0-0
REV		X01
CHANGE by		XXX
DATE		21-OCT-2002
SHEET		49 of 80



SLB9656TT1.2 SLB9635TT1.2		
R3507	INSTALL	OPEN
R3508	OPEN	INSTALL
R3509	OPEN	INSTALL
R3510	OPEN	INSTALL
R3511	INSTALL	OPEN
R3512	OPEN	INSTALL
R3513	OPEN	INSTALL
R3514	INSTALL	OPEN
X3500	OPEN	INSTALL
C3507	OPEN	INSTALL
C3508	OPEN	INSTALL

REFERENCE NUMBER : 3500~3549

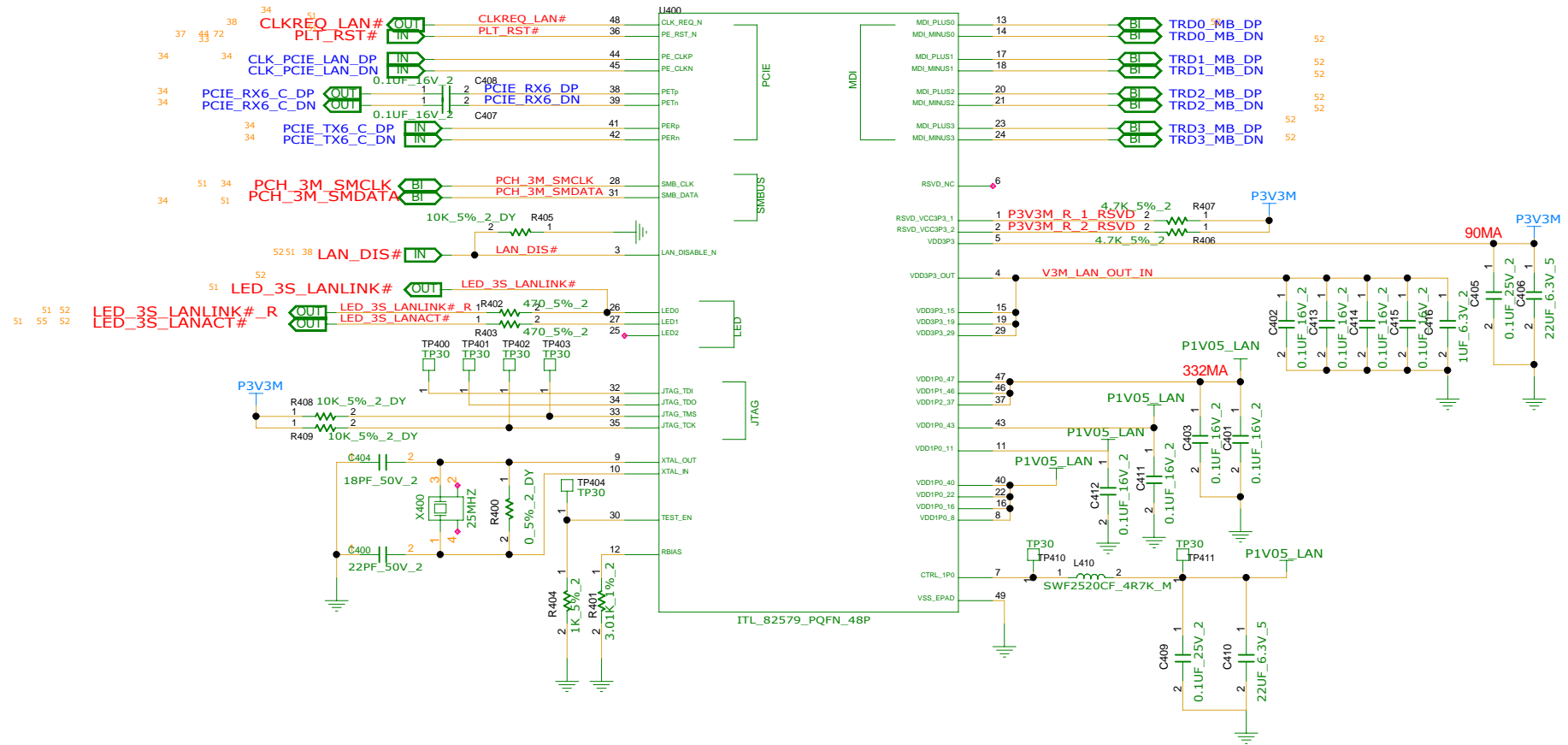
INVENTEC

TITLE MODEL,PROJECT,FUNCTION
TPM

SIZE A3	CODE CS	DOC NUMBER 1310xxxxx-0-0	REV X01
---------	---------	--------------------------	---------

CHANGE by XXX DATE 21-OCT-2002 SHEET 50 of 80

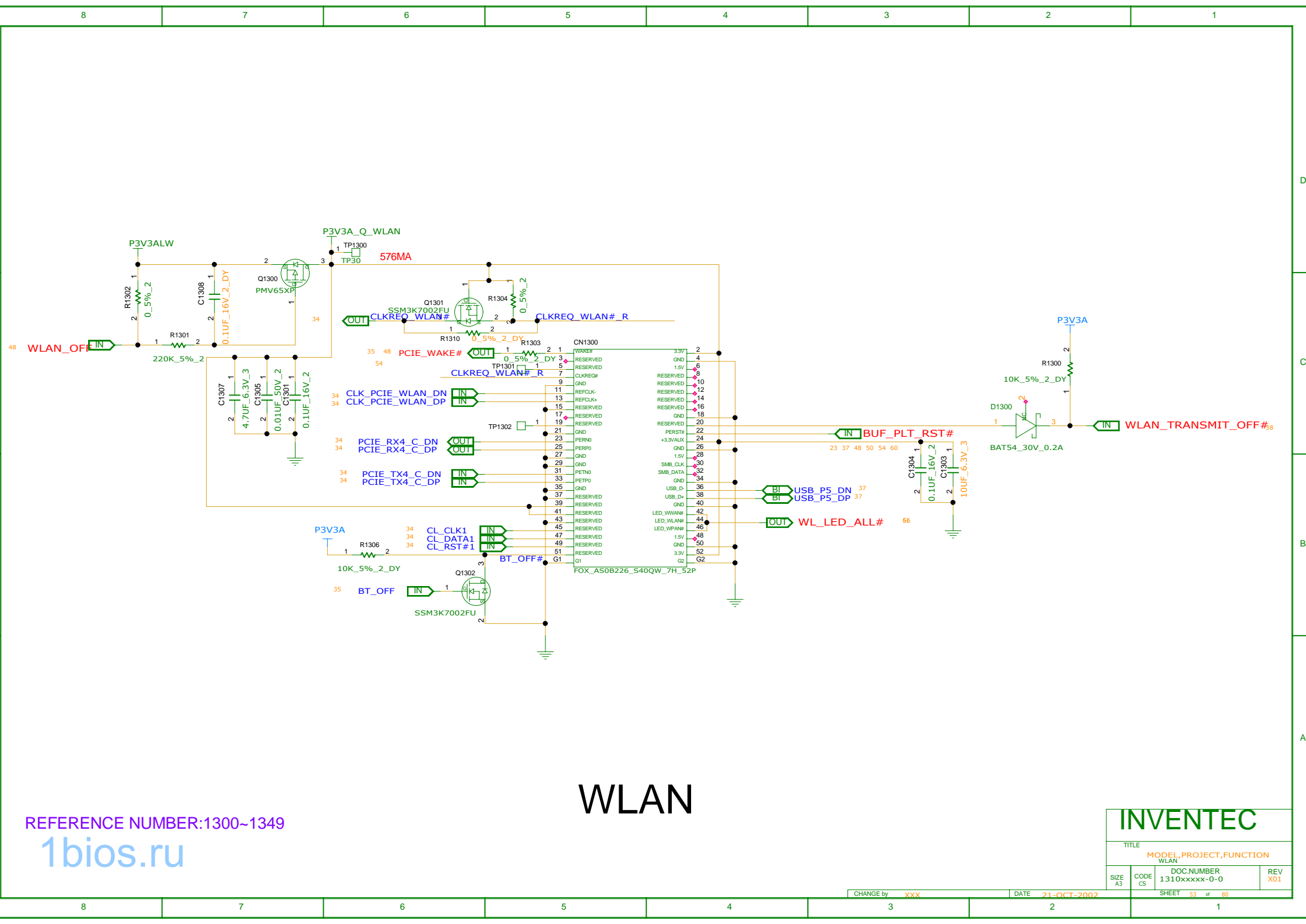
REFERENCE NUMER : 400~469



1bios.ru

INVENTEC

TITLE		
MODEL,PROJECT,FUNCTION		
LAN		
SIZE A3	CODE CS	DOC NUMBER 1310xxxxx-0-0
		REV X01
CHANGE by XXX		DATE 21-OCT-2002
		SHEET 51 of 80



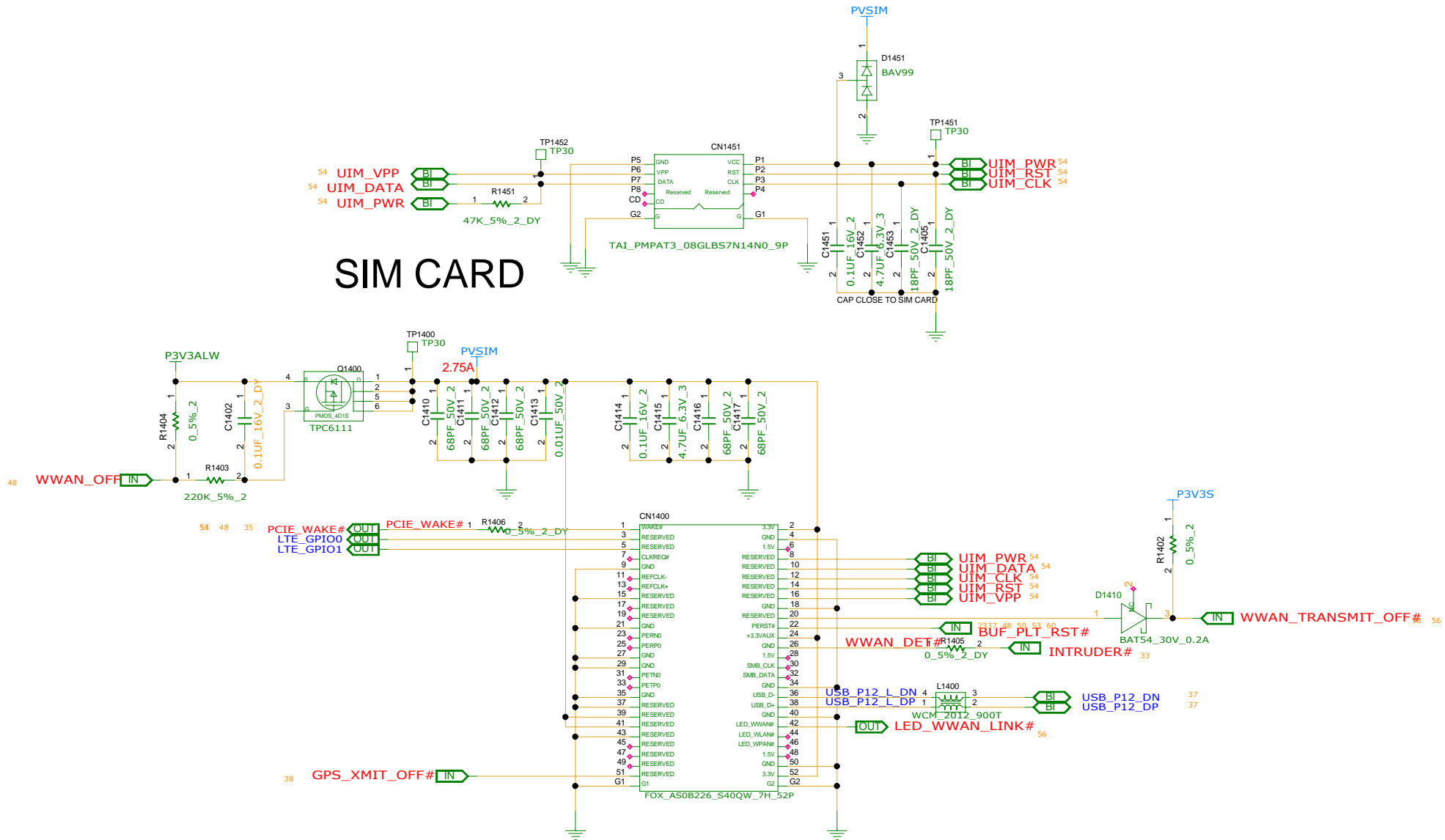
WLAN

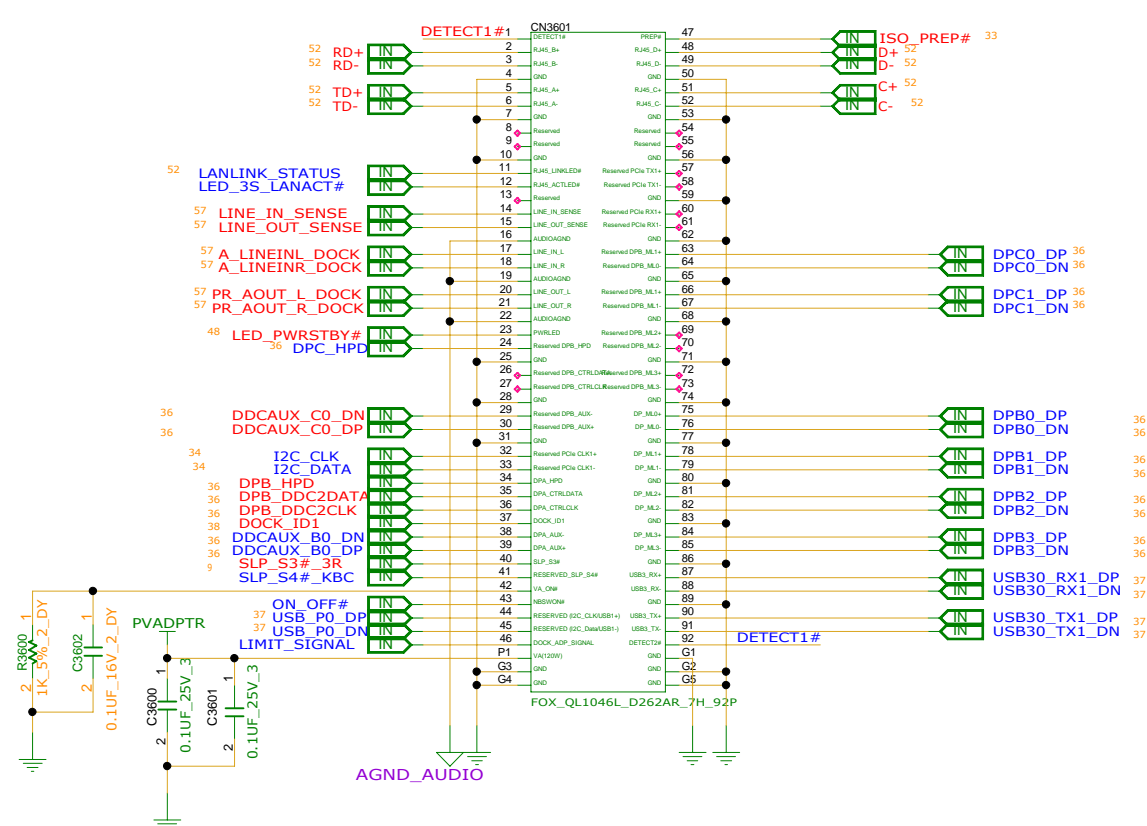
REFERENCE NUMBER:1300~1349
1bios.ru

INVENTEC		
TITLE MODEL,PROJECT,FUNCTION WLAN		
SIZE A3	CODE CS	DOC.NUMBER 1310xxxxx-0-0
		REV X01
CHANGE by XXX		DATE 21-OCT-2002
SHEET 53 of 80		

SIM CARD

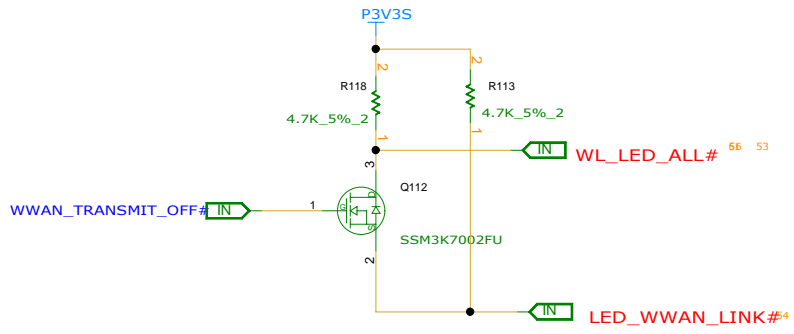
WWAN



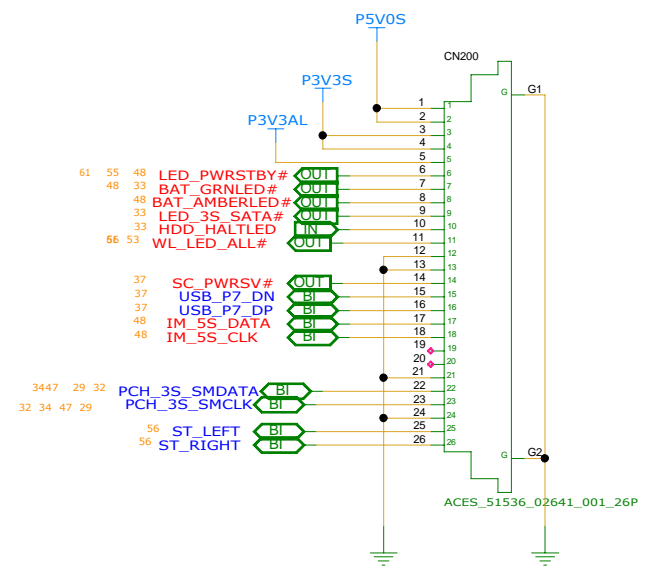


1bios.ru

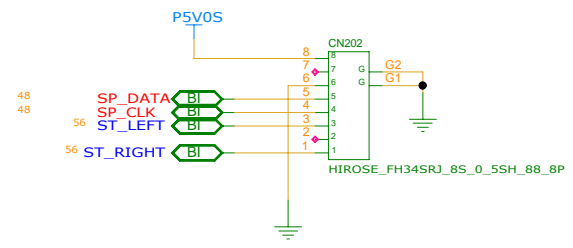
INVENTEC			
TITLE MODEL PROJECT,FUNCTION DOCKING_CNTR			
SIZE A3	CODE CS	DWG NUMBER 1310xxxxx-0-0	REV X01
CHANGE by XXX		DATE 21-OCT-2002	SHEET 55 of 80



WLAN_WWAN_BLUETOOTH_LED



SMART CARD

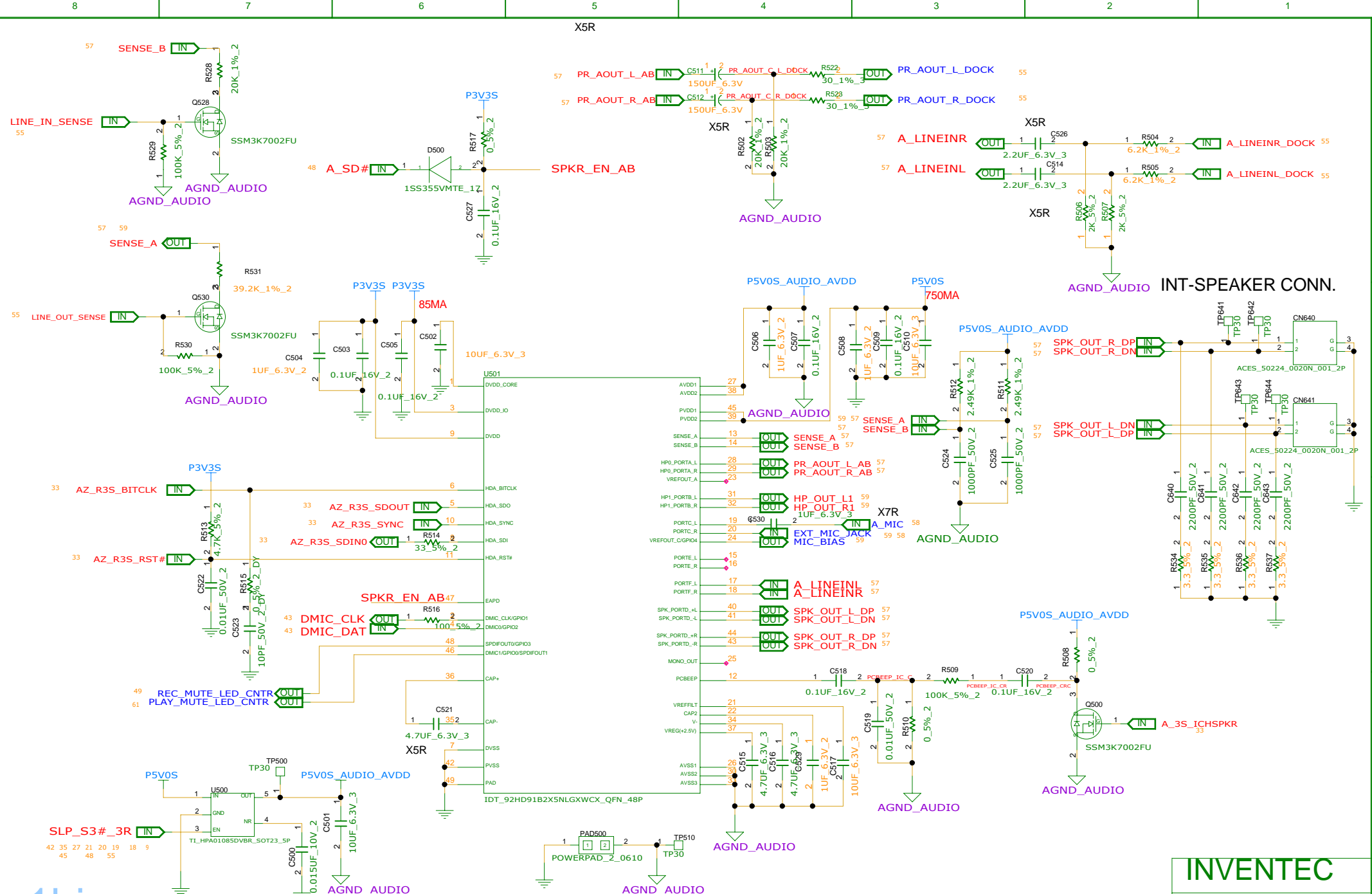


POINT STICK

1bios.ru

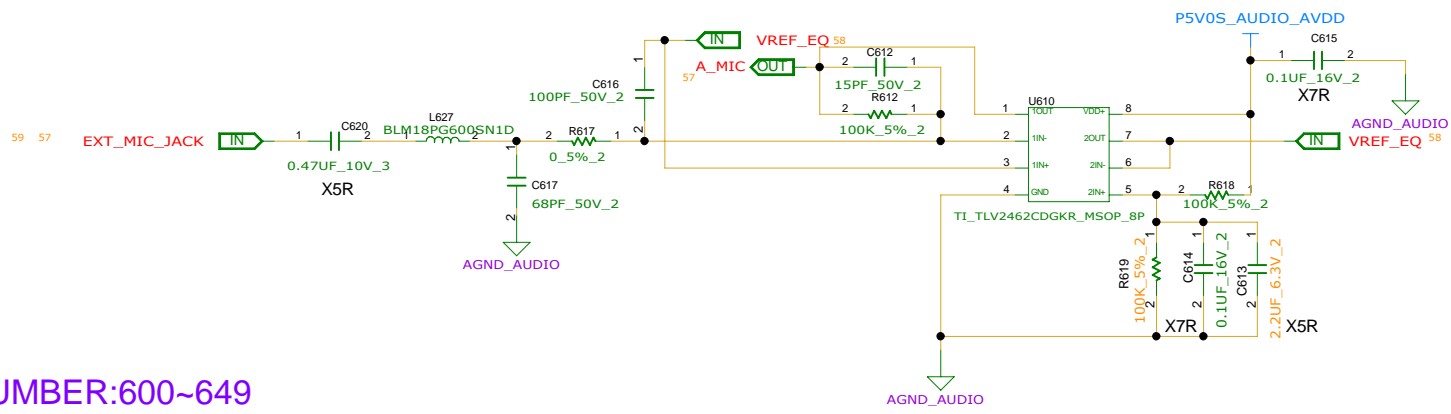
REFERENCE NUMBER:100~199

INVENTEC			
TITLE MODEL,PROJECT,FUNCTION STICK, POINT & B2B_CNTR			
SIZE A3	CODE CS	DOC.NUMBER 1310xxxxx-0-0	REV X01
SHEET 56 of 80			



1bios.ru
 REFERENCE NUMBER:500~549

INVENTEC			
TITLE			
MODEL PROJECT,FUNCTION			
AUDIO CODEC			
SIZE		DOC NUMBER	
A4		1310xxxxx-0-0	
CODE		REV	
CS		X01	
CHANGE by		DATE	
XXX		21-OCT-2002	
SHEET		of	
57		80	

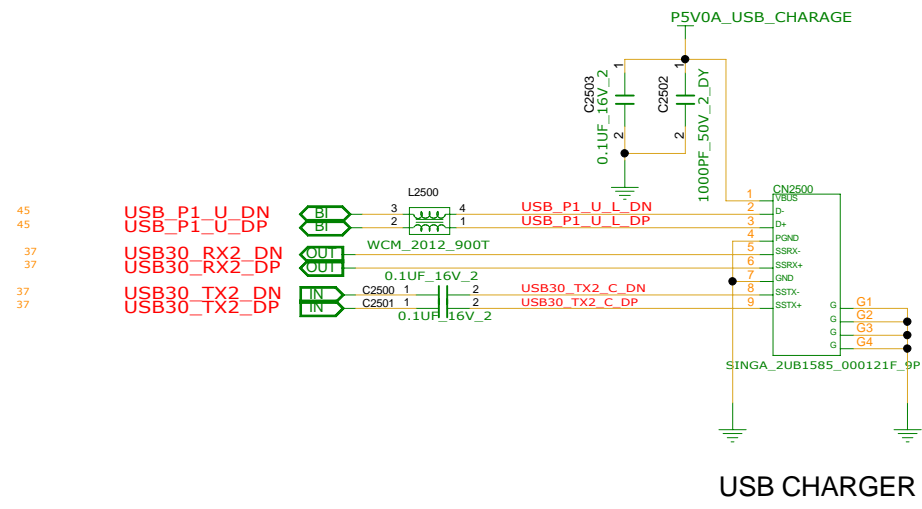


REFERENCE NUMBER:600~649

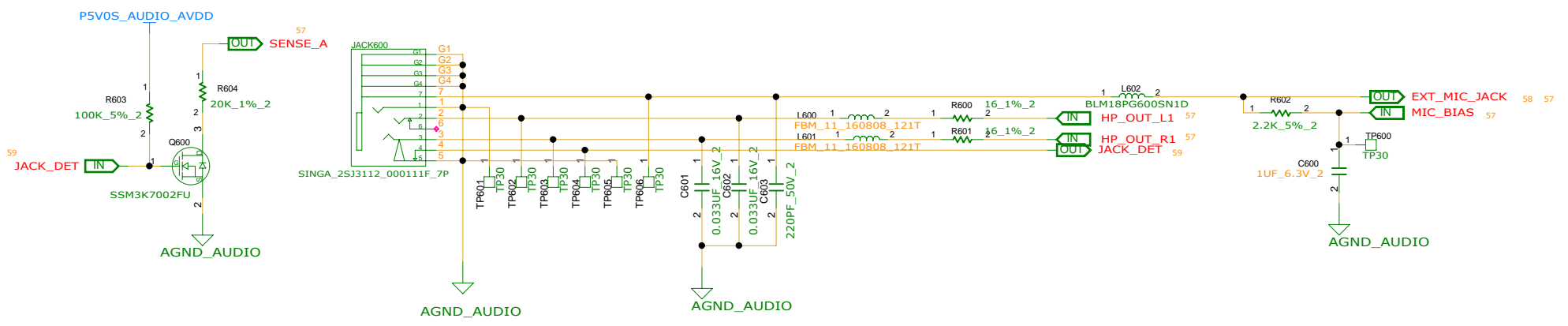
1bios.ru

INVENTEC			
TITLE MODEL,PROJECT,FUNCTION EXT. MIC AMPLIFIER			
SIZE A3	CODE CS	DOC.NUMBER 1310xxxxx-0-0	REV X01
CHANGE by XXX		DATE 21-OCT-2002	SHEET 58 of 80

REFERENCE NUMBER:2500~2510



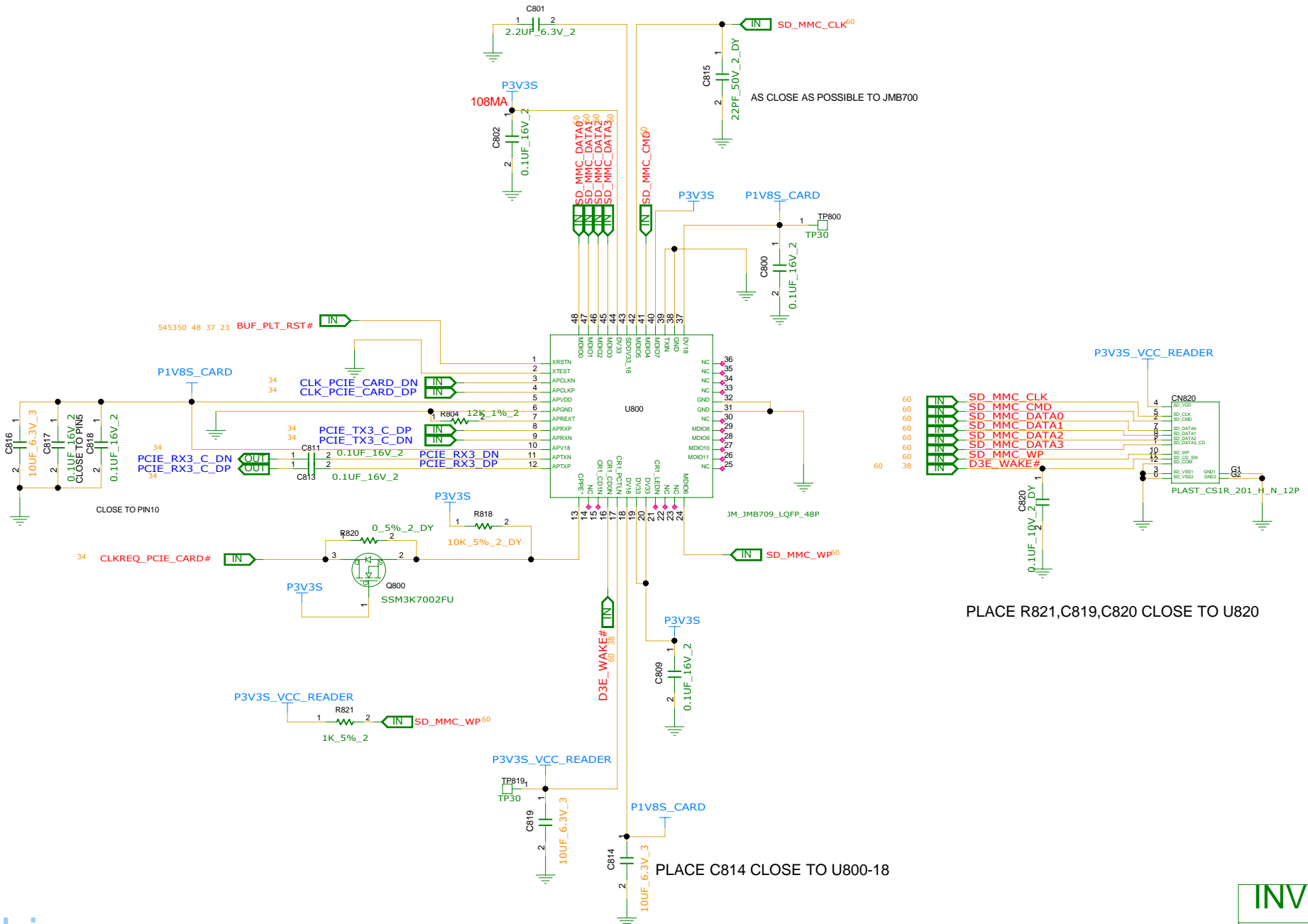
USB CHARGER



REFERENCE NUMBER:600~610

1bios.ru

INVENTEC			
TITLE MODEL,PROJECT,FUNCTION			
AUDI JACK & USB3.0(LEFT) DB			
DOC NUMBER		REV	
1310xxxxx-0-0		X01	
SIZE A3	CODE CS		



AS CLOSE AS POSSIBLE TO JMB700

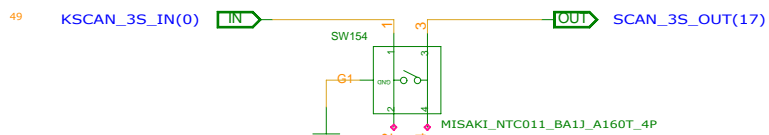
PLACE R821,C819,C820 CLOSE TO U820

PLACE C814 CLOSE TO U800-18

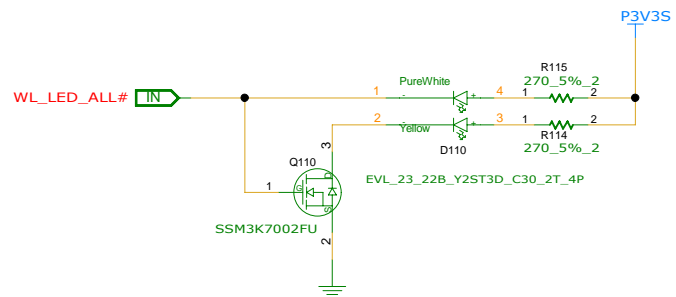
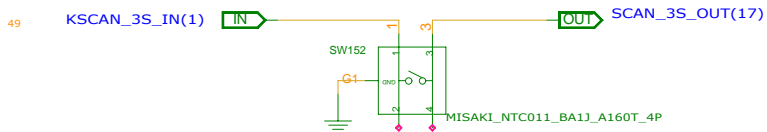
1bios.ru
REFERENCE NUMBER:800~899

INVENTEC			
TITLE MODEL PROJECT,FUNCTION CARD READER			
SIZE A3	CODE CS	DOC.NUMBER 1310xxxx-0-0	REV X01
CHANGE by XXX		DATE 21-OCT-2002	SHEET 60 of 80

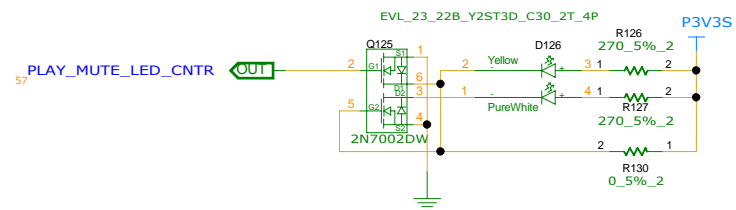
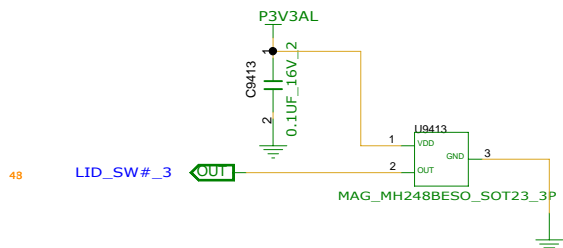
MUTE BOTTON



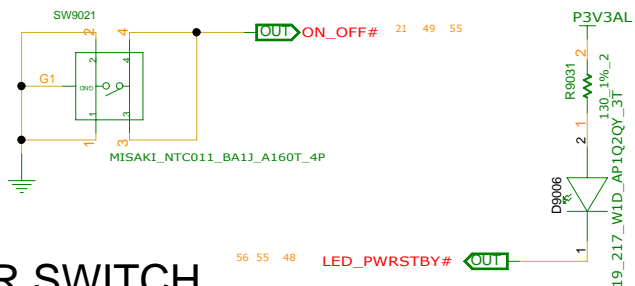
WIRELESS BOTTON



WIRELESS/BLUETOOTH LED



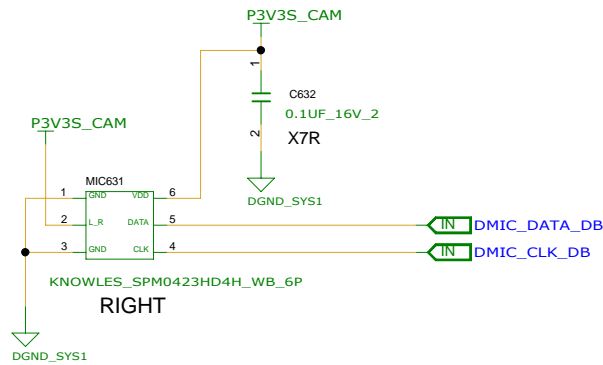
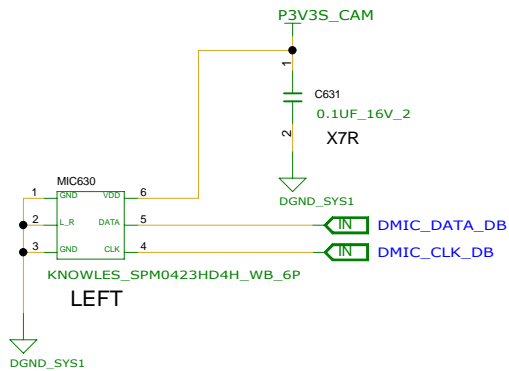
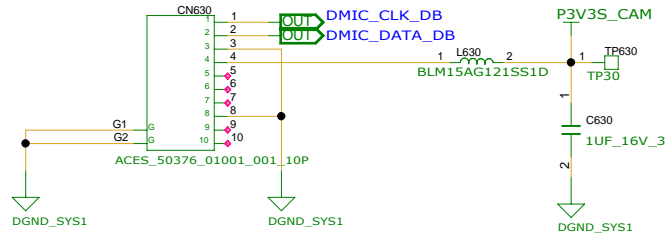
MUTE LED



POWER SWITCH

1bios.ru

INVENTEC			
TITLE BUTTON_LED			
MODEL,PROJECT,FUNCTION			
SIZE A3	CODE CS	DOC NUMBER 1310xxxxx-0-0	REV X01
CHANGE by XXX		DATE 21-OCT-2002	SHEET 61 of 80



REFERENCE NUMBER:630-639
MIC DOUGHTER BOARD
 1bios.ru

FIX630
 FIX_MASK_0.8

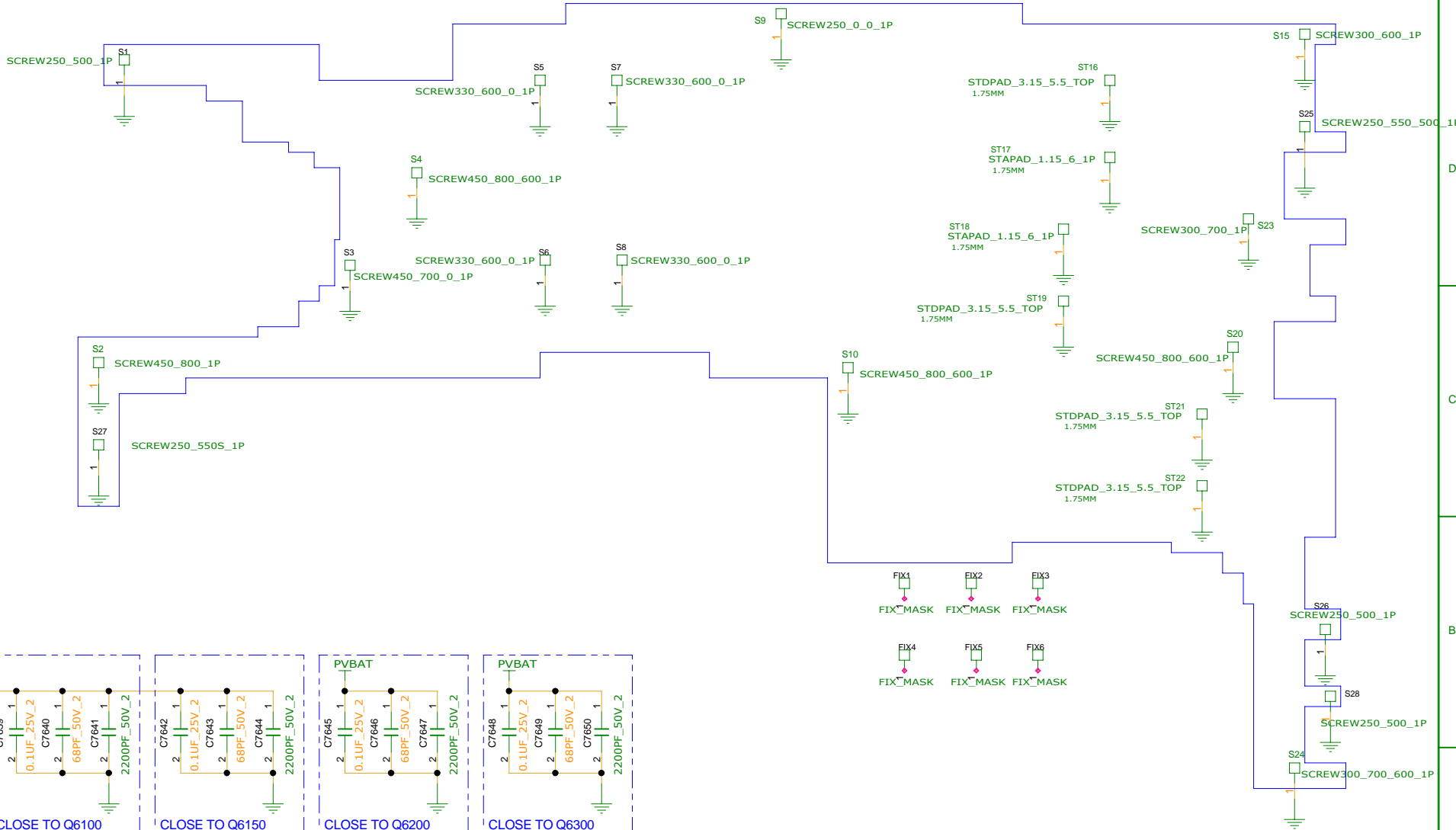
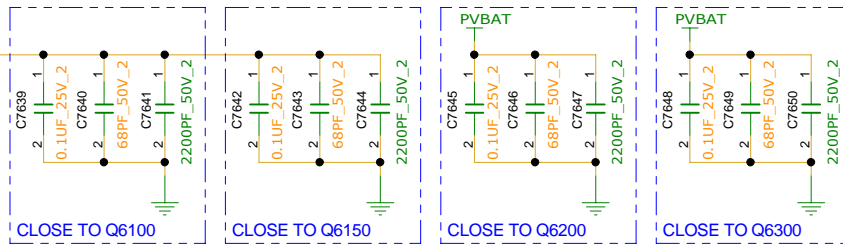
FIX631
 FIX_MASK_0.8

FIX632
 FIX_MASK_0.8

INVENTEC			
TITLE MODEL,PROJECT,FUNCTION MIC_DB			
SIZE A3	CODE CS	DOC.NUMBER 1310xxxxx-0-0	REV X01
CHANGE by XXX		DATE 21-OCT-2002	SHEET 63 of 80

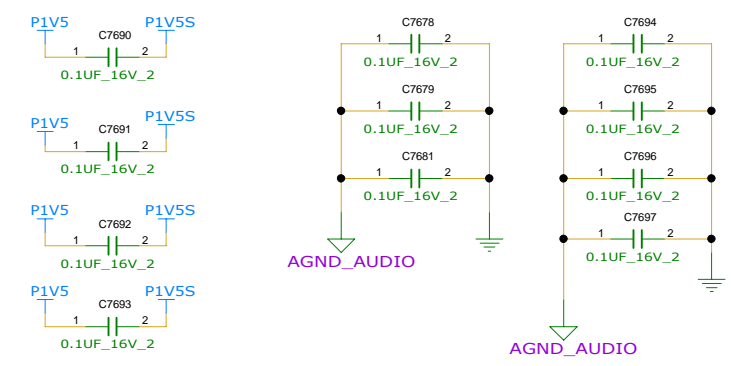
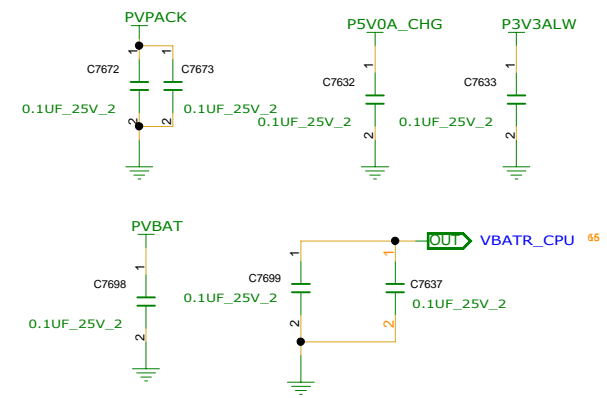
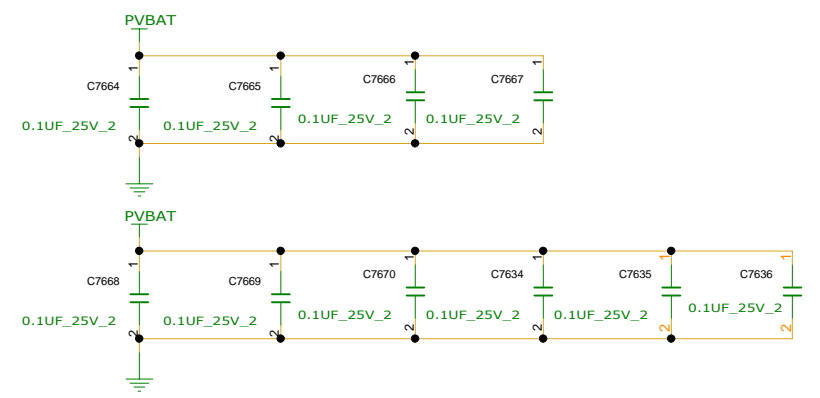
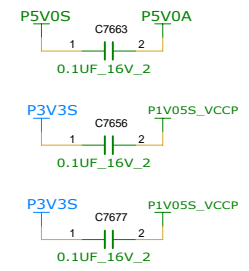
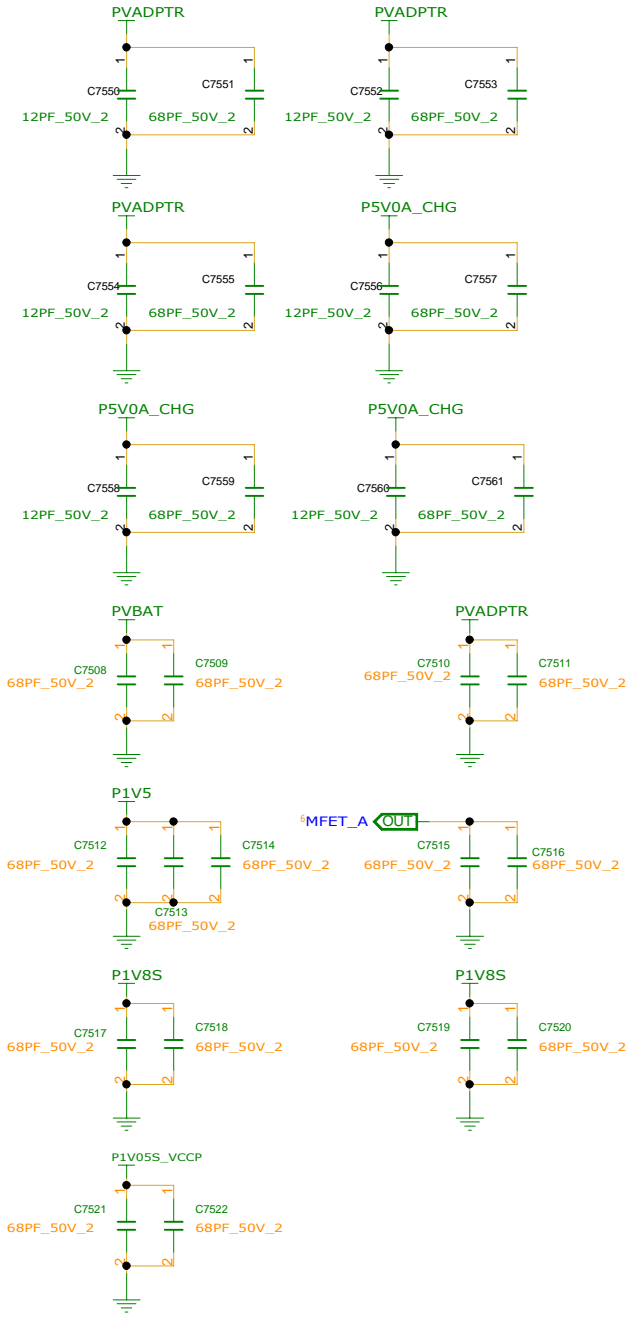
658 VBATP

IN

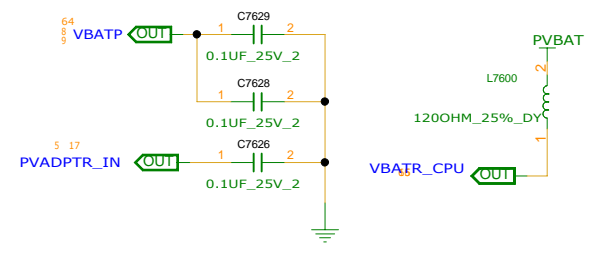


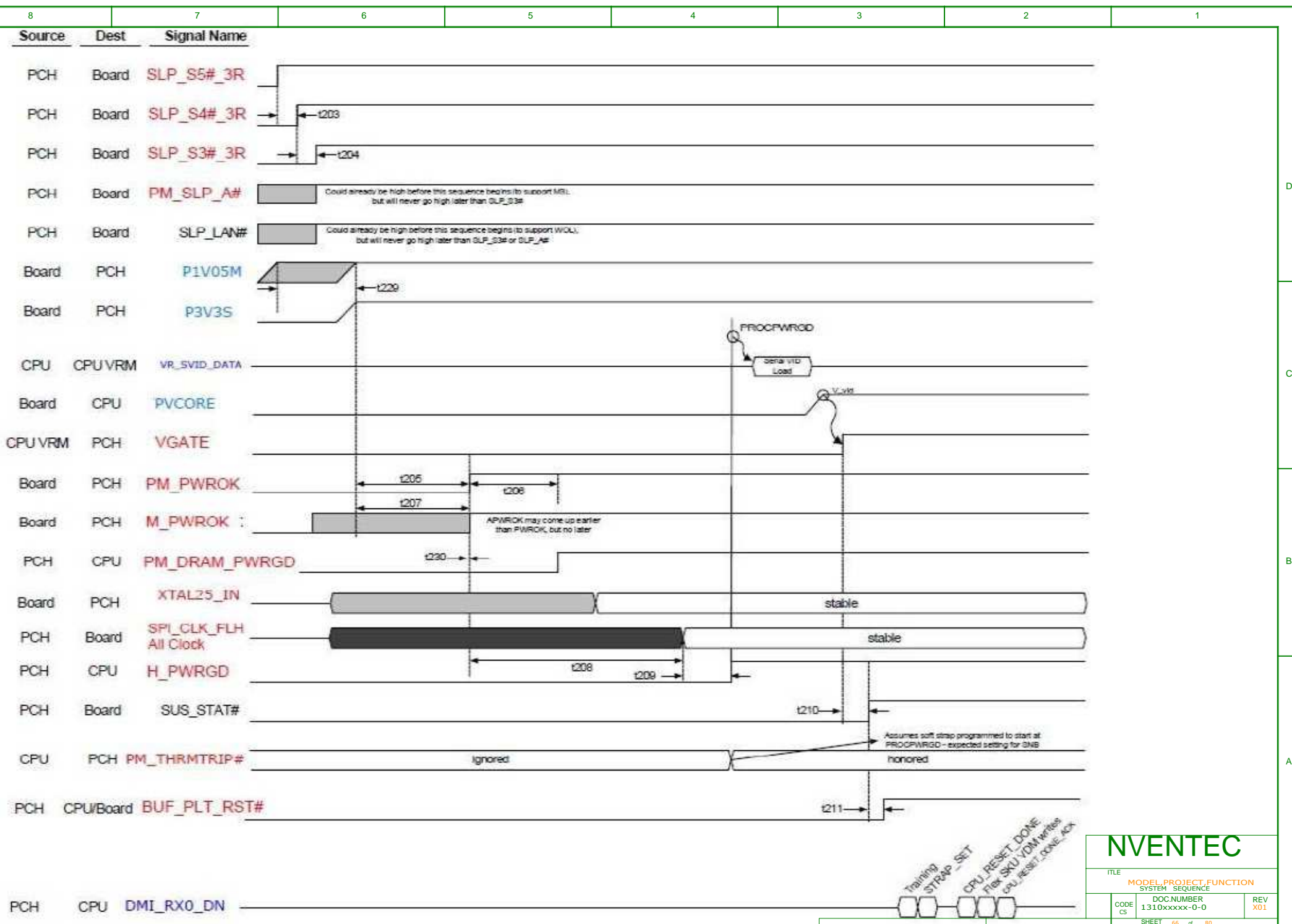
1bios.ru

INVENTEC			
TITLE MODEL,PROJECT,FUNCTION			
SCREW			
SIZE A3	CODE CS	DOC NUMBER 1310xxxxx-0-0	REV X01
CHANGE by XXX		DATE 21-OCT-2002	SHEET 64 of 80



EMI SOLUTION

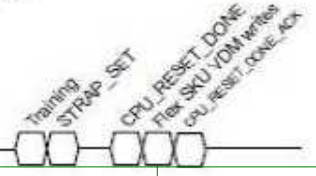


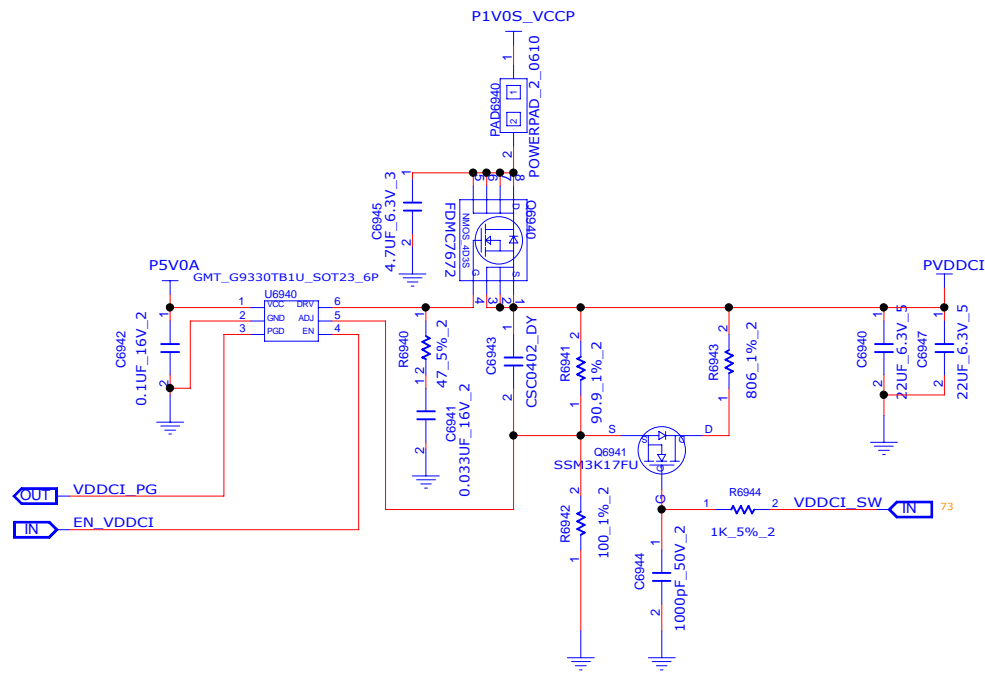


1

NVENTEC

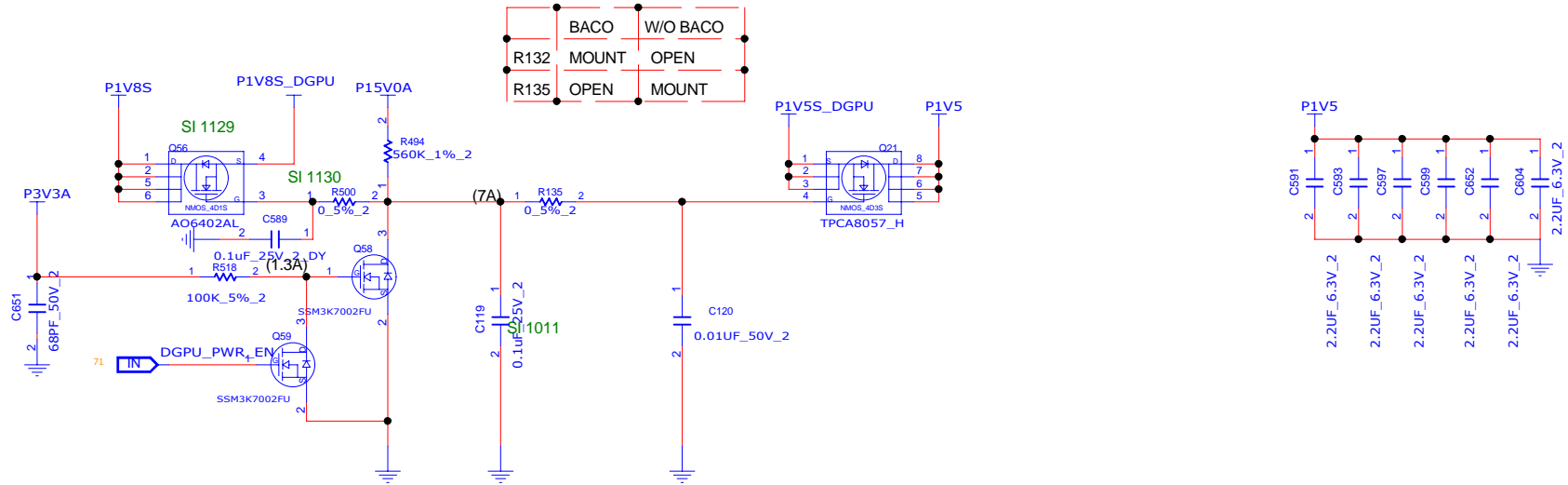
TITLE		
MODEL PROJECT FUNCTION SYSTEM SEQUENCE		
CODE CS	DOC NUMBER 1310xxxx-0-0	REV X01
SHEET 66 of 80		





OCP=8AMP
 HIGH : 0.908V = 0.5 [1 + ((R6941//R6943) / R6942)]
 LOW : 0.954V=0.5 (1+ R6941/R6942)

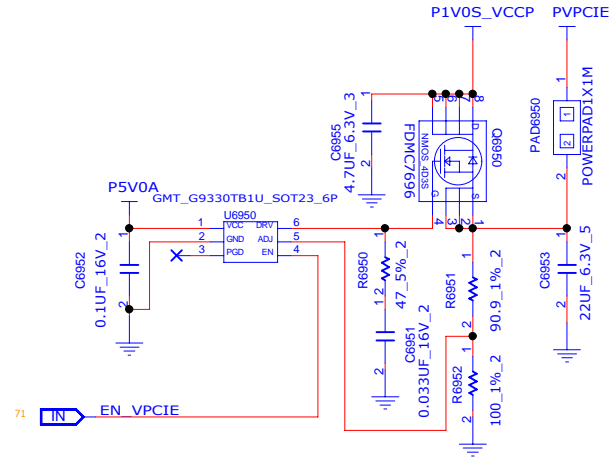
INVENTEC			
TITLE MODEL,PROJECT,FUNCTION Block Diagram			
SIZE A3	CODE CS	DOC NUMBER 1310xxxxx-0-0	REV X01
CHANGE by XXX		DATE 21-OCT-2002	SHEET 68 of 80



	BACO	W/O BACO
R132	MOUNT	OPEN
R135	OPEN	MOUNT

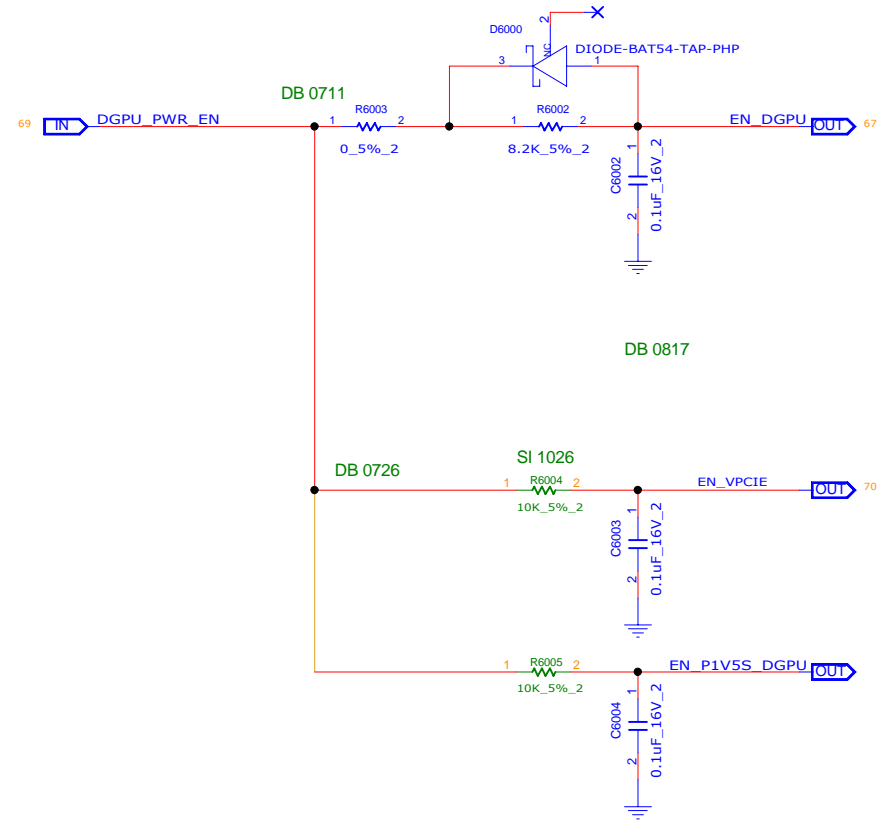
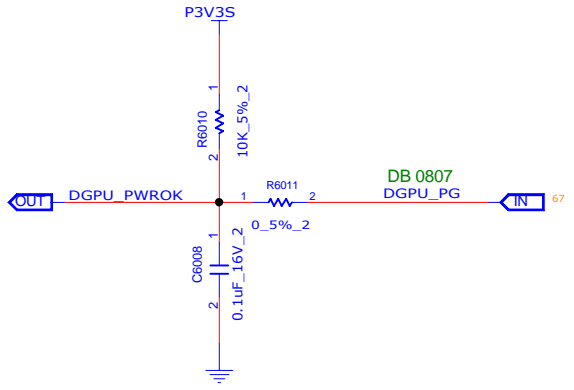
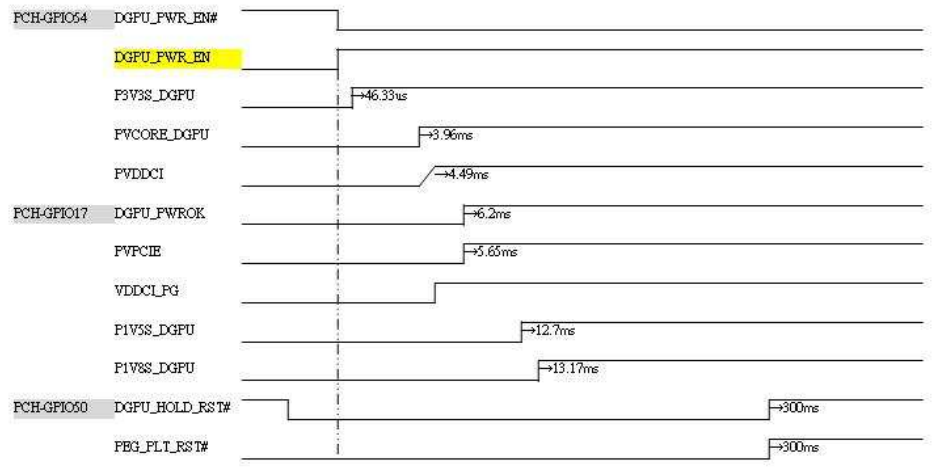
INVENTEC			
TITLE MODEL,PROJECT,FUNCTION Block Diagram			
SIZE A3	CODE CS	DOC NUMBER 1310xxxxx-0-0	REV X01
CHANGE by XXX		DATE 21-OCT-2002	SHEET 69 of 80

OCP=6AMP
 $0.943V=0.5(1+R6951/R6952)$



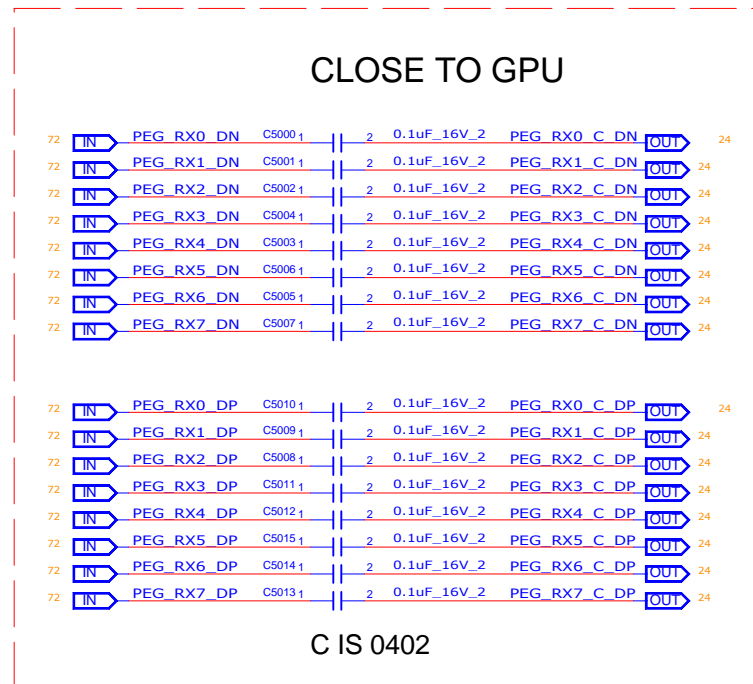
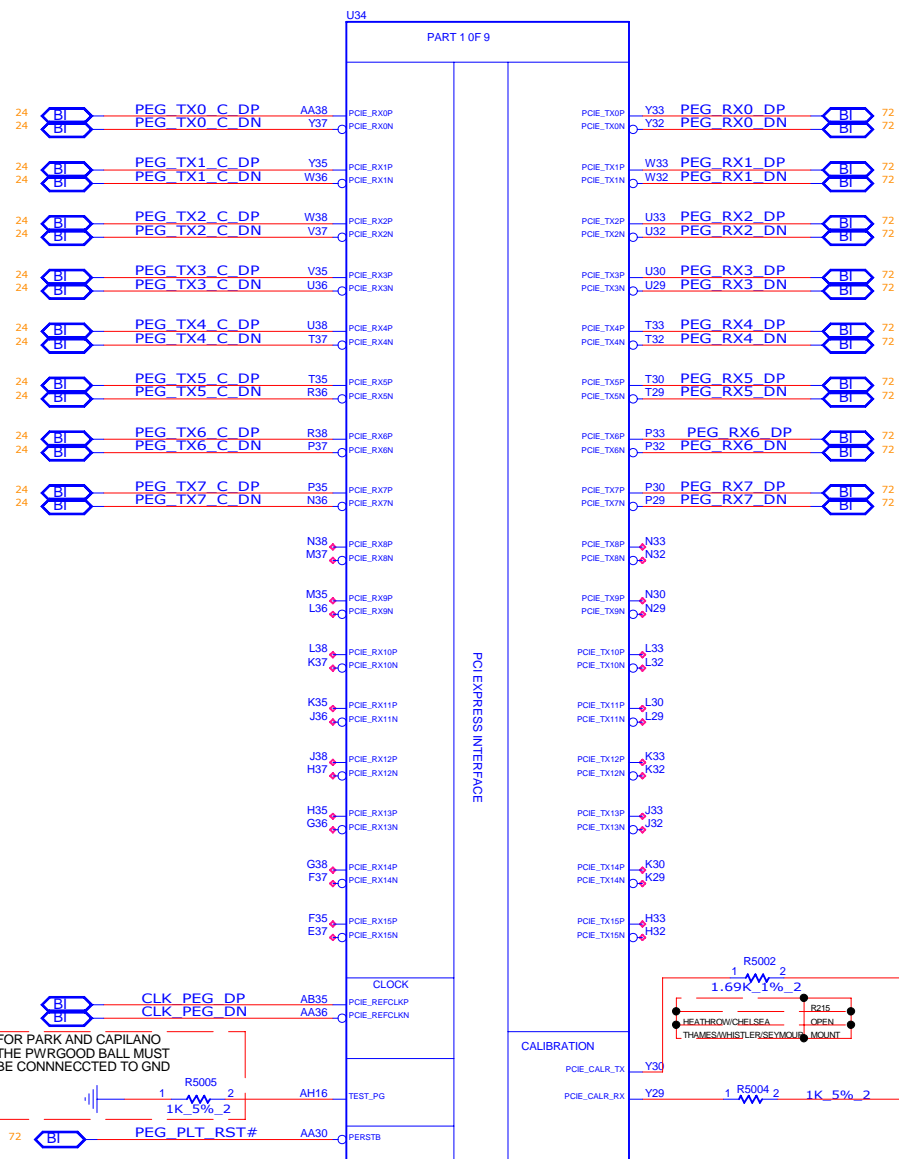
1bios.ru

INVENTEC			
TITLE MODEL,PROJECT,FUNCTION Block Diagram			
SIZE A3	CODE CS	DOC.NUMBER 1310xxxxx-0-0	REV X01
CHANGE by XXX		DATE 21-OCT-2002	SHEET 70 of 80

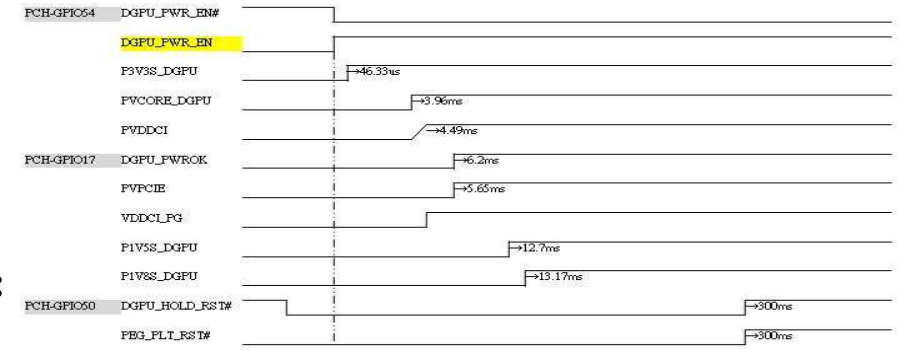


1bios.ru

INVENTEC			
TITLE MODEL, PROJECT, FUNCTION Block Diagram			
SIZE A3	CODE CS	DOC NUMBER 1310xxxxx-0-0	REV X01
CHANGE by XXX		DATE 21-OCT-2002	SHEET 71 of 80



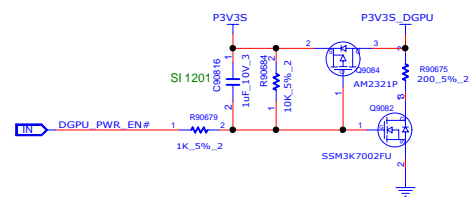
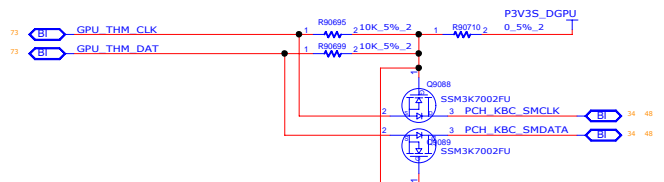
WHISTLER M2 PRO



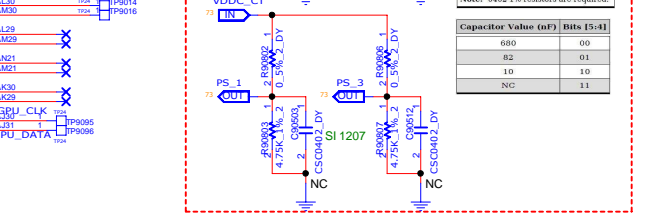
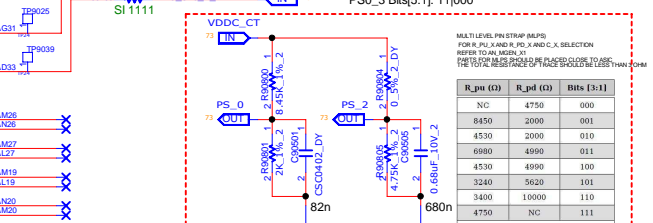
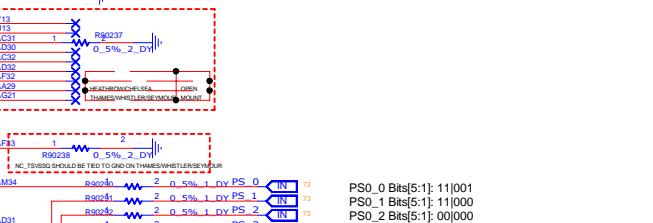
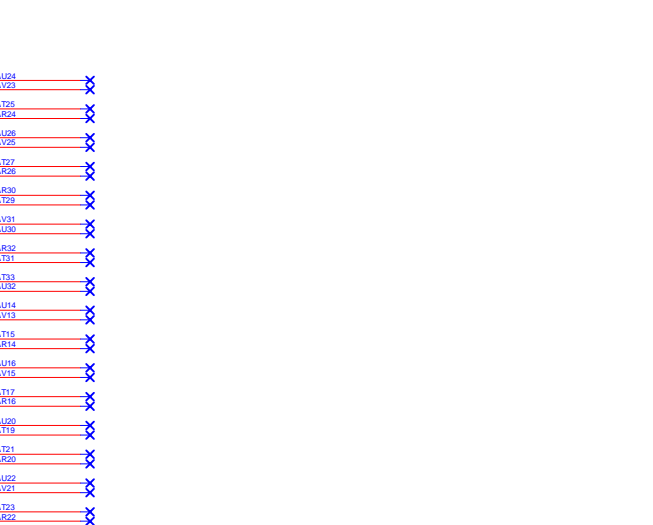
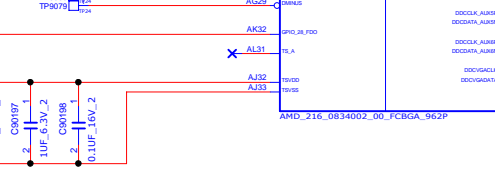
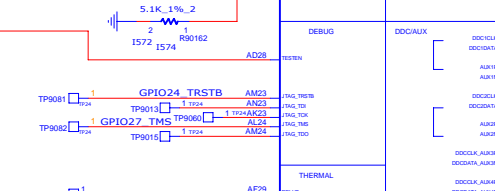
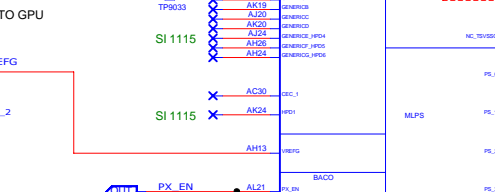
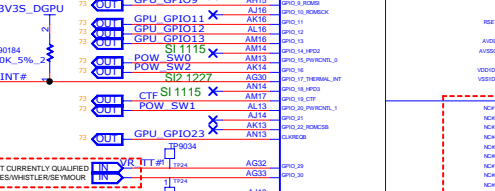
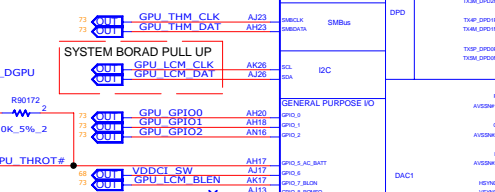
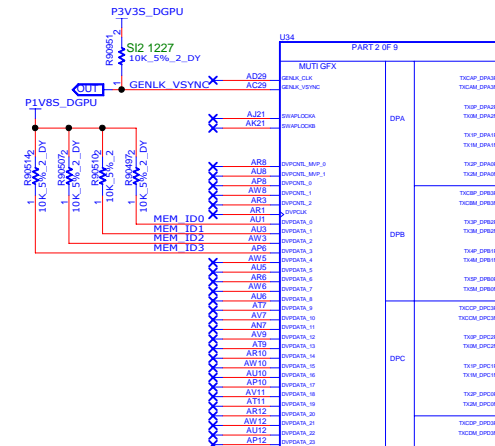
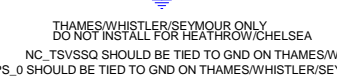
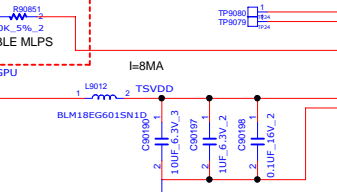
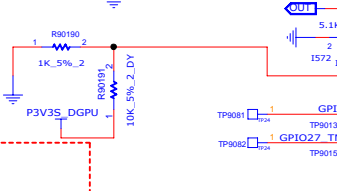
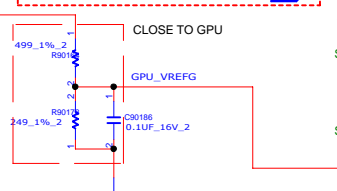
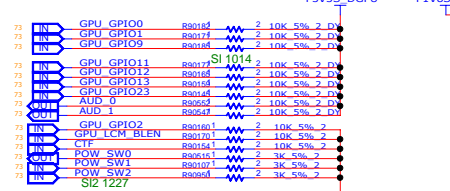
1bios.ru

INVENTEC			
TITLE MODEL,PROJECT,FUNCTION			
GPU1			
SIZE A3	CODE CS	DOC NUMBER 1310xxxxx-0-0	REV X01
CHANGE by XXX		DATE 21-OCT-2002	SHEET 72 of 80

MEM_ID3 (R514)	MEM_ID2 (R507)	MEM_ID1 (R510)	MEM_ID0 (R497)	VENDOR	Die Ver	IEC P/N
0	0	0	0	SAMSUNG(2GB) (K4G20325FC-HC04)	C	6019B0842201
0	0	0	1	SAMSUNG(2GB) (K4G20325FD-FC04) MV NEW	D	6019B0971801
0	0	1	0	HYNIX (2GB) (DEFAULT) (H5GQ2H24MFR-T2C)	VEGA	6019B0843001
0	0	1	1	HYNIX (2GB) (H5GQ2H24MFR-T2C) MV NEW	A	6019B0971701
0	1	0	0	ELPIDA (2GB) NONE	NONE	NONE



GPIO_13	GPIO_12	GPIO_11	MEMORY APERTURE SIZE
0	0	0	2GB / 1GB (DEFAULT)
1	1	1	RESERVED



R_pwr (G)	R_sel (G)	Bits (3:1)
NC	4750	000
8450	2000	001
4530	2000	010
6980	4990	011
4530	4990	100
3240	5620	101
3400	10000	110
4750	NC	111

Note: 4750 1% resistors are required.

Capacitor Value (nF)	Bits (5:1)
680	00
82	01
1.0	10
NC	11

1bios.ru

THAMES/WHISTLER/SEYMOUR ONLY
DO NOT INSTALL FOR HEATHROW/CHELSEA
NC, TSVSSQ SHOULD BE TIED TO GND ON THAMES/WHISTLER/SEYMOUR
PS_0 SHOULD BE TIED TO GND ON THAMES/WHISTLER/SEYMOUR

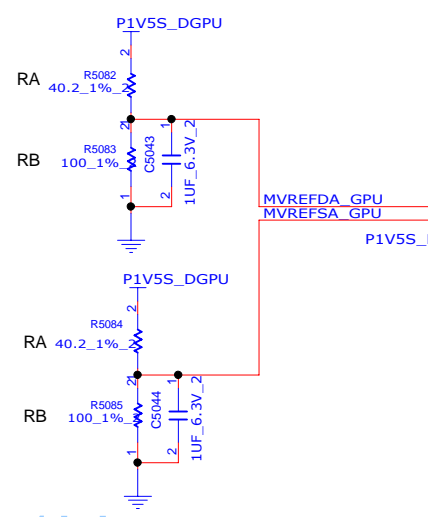
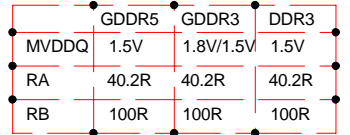
INVENTEC

MODEL	PROJECT	FUNCTION
GPU-2		

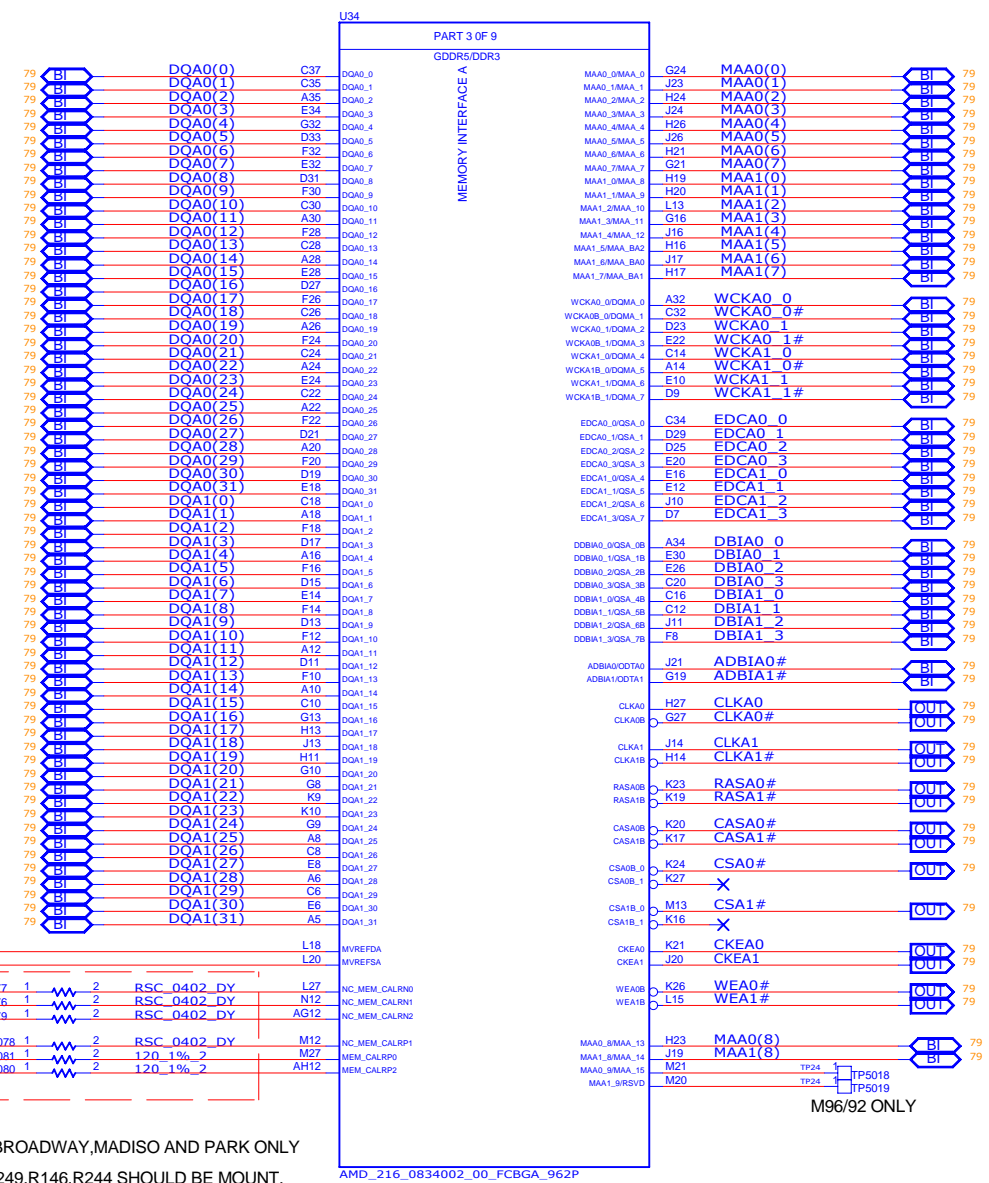
SIZE	CODE	DOC NUMBER	REV
C	CS	131DXXXXX-0-0	X01

CHANNEL A

DDR3/GDDR3MEMORY STUFF OPTION



FOR M97,BROADWAY,MADISO AND PARK ONLY
 IF R258,R249,R146,R244 SHOULD BE MOUNT,
 P/N 6013A0087806 (243OHM,1%)



M96/92 ONLY

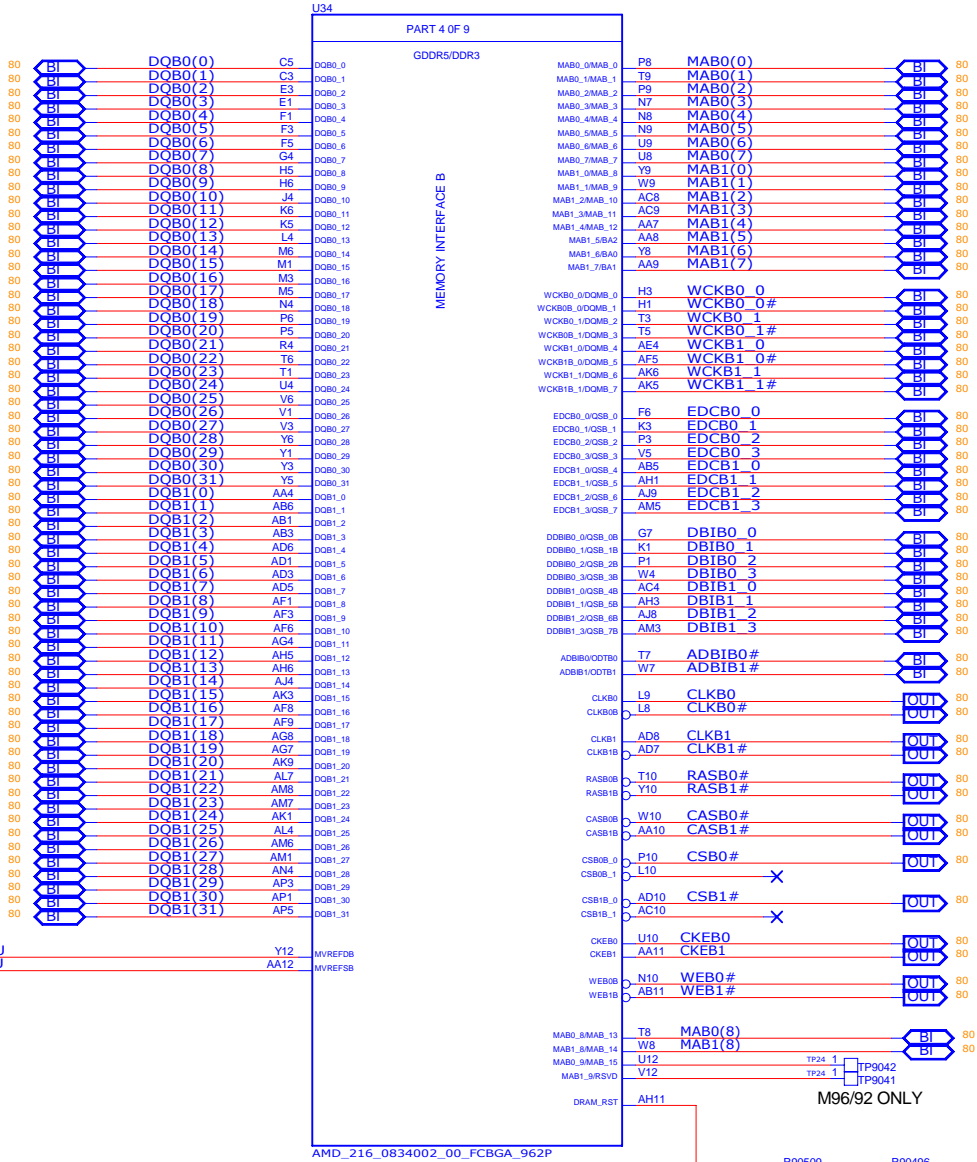
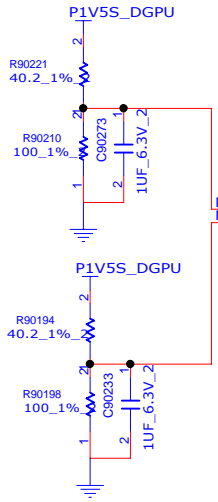
1bios.ru

INVENTEC			
TITLE MODEL,PROJECT,FUNCTION			
DOC NUMBER 1310xxxxx-0-0			
SIZE A3	CODE CS	REV X01	DATE 21-OCT-2002
CHANGE by XXX		SHEET 74 of 80	

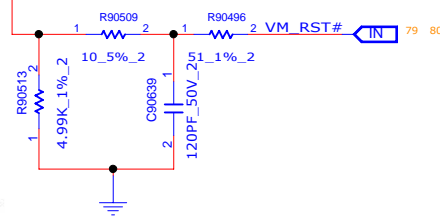
CHANNEL B

DDR3/GDDR3MEMORY STUFF OPTION

	GDDR5	GDDR3	DDR3
MVDDQ	1.5V	1.8V/1.5V	1.5V
RA	40.2R	40.2R	40.2R
RB	100R	100R	100R



Place all these components vry close to GPU (Within 25mm) and keep all component close to each other (within 5mm) except Rser2
 * This basic topology should be used for DRAM_RST for DDR3/GDDR3/GDDR5
 These Capacitors and Resistor values are an example only.
 The Series R and || Cap values will depend on the DRAM load and will have to be calculated for different Memory , DRAM Load and board to pass Reset Signal Spec.

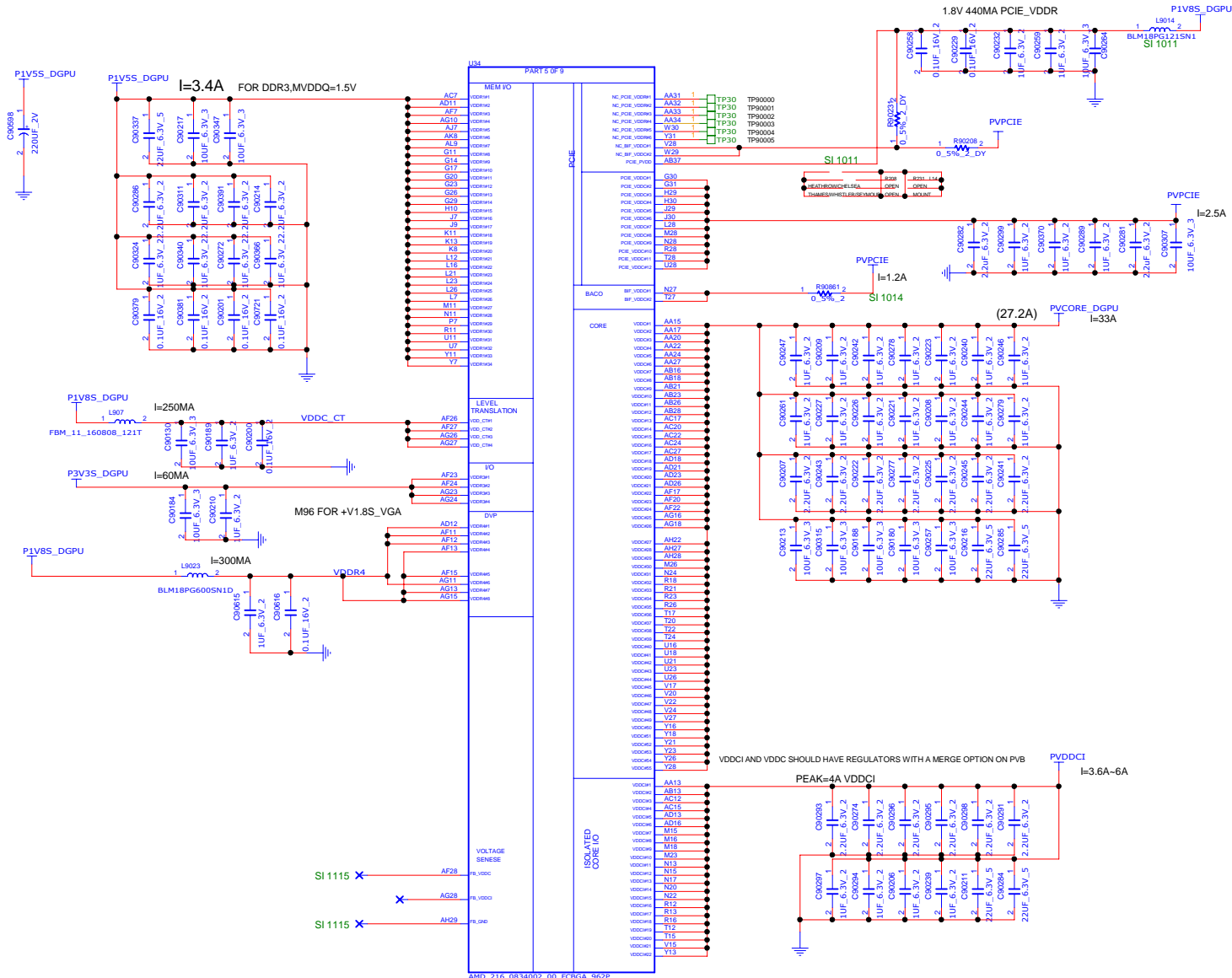
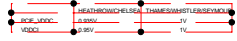


INVENTEC

TITLE MODEL,PROJECT,FUNCTION

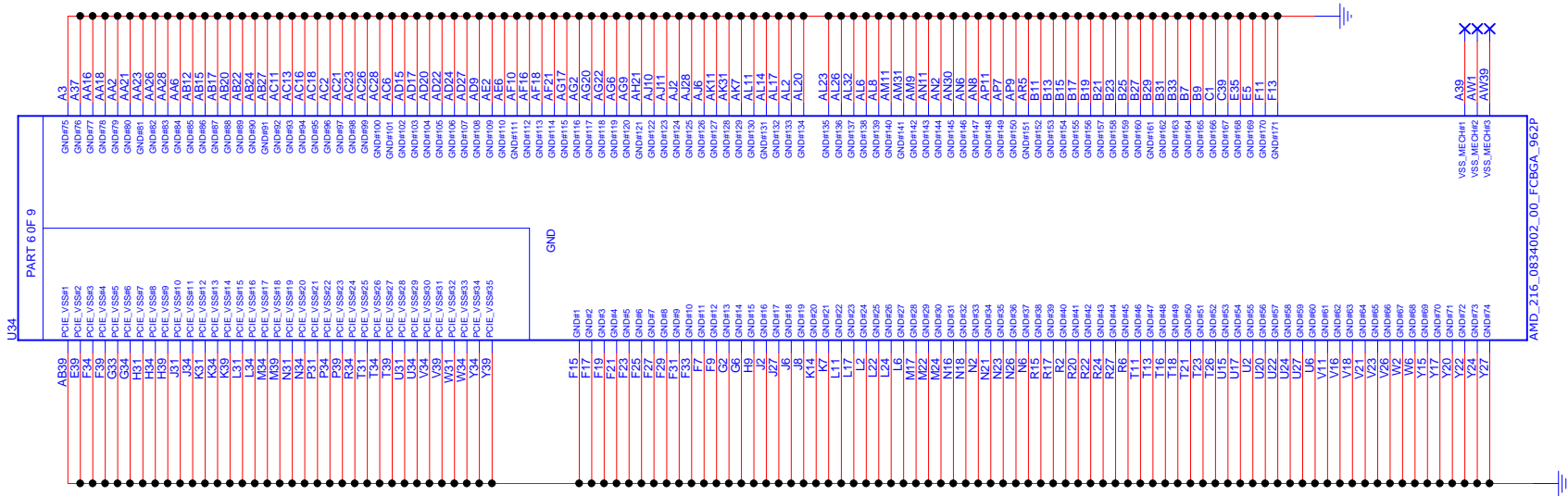
SIZE A3	CODE CS	DOC NUMBER 1310xxxxx-0-0	REV X01
---------	---------	--------------------------	---------

CHANGE by XXX DATE 21-OCT-2002 SHEET 75 of 80



1bios.ru

INVENTEC			
Title MODEL,PROJECT,FUNCTION			
GPU-S			
SIZE	CODE	DOCNUMBER	REV
C	CS	1310XXXXX-0-0	X01
SHEET		36	of 80



PART 6 OF 9

GND

AMD_216_0834002_00_FCBGA_962P

U34

- AB39 POIE_VSSH1
- AB40 POIE_VSSR2
- F34 POIE_VSSA
- F39 POIE_VSSB4
- G33 POIE_VSSA6
- G34 POIE_VSSB6
- H31 POIE_VSSR7
- H32 POIE_VSSR8
- H39 POIE_VSSR9
- J31 POIE_VSSR10
- J34 POIE_VSSH11
- K31 POIE_VSSH12
- K34 POIE_VSSH13
- L31 POIE_VSSH14
- L39 POIE_VSSH15
- M34 POIE_VSSH17
- M39 POIE_VSSH18
- N31 POIE_VSSH19
- N34 POIE_VSSR20
- P34 POIE_VSSR21
- P39 POIE_VSSR22
- R34 POIE_VSSR24
- T31 POIE_VSSR25
- T34 POIE_VSSR26
- U31 POIE_VSSR27
- U39 POIE_VSSR28
- V34 POIE_VSSR29
- V39 POIE_VSSR30
- W31 POIE_VSSR32
- W34 POIE_VSSR33
- Y34 POIE_VSSR34
- Y39 POIE_VSSR35

- F15 GNDH1
- F17 GNDI2
- F19 GNDI3
- F21 GNDH4
- F23 GNDI5
- F25 GNDI6
- F27 GNDI7
- F29 GNDI8
- F31 GNDI9
- F33 GNDI10
- F35 GNDI11
- F37 GNDI12
- G2 GNDH13
- G6 GNDH14
- H8 GNDH15
- J2 GNDH16
- J7 GNDH17
- J8 GNDH18
- K14 GNDI20
- K7 GNDI21
- L11 GNDI22
- L17 GNDI23
- L2 GNDI24
- L22 GNDI25
- L24 GNDI26
- L6 GNDI27
- M17 GNDI28
- M2 GNDI29
- M4 GNDI30
- N16 GNDI31
- N18 GNDI32
- N2 GNDI33
- N21 GNDI34
- N23 GNDI35
- N26 GNDI36
- N8 GNDI37
- R15 GNDI38
- R17 GNDI39
- R2 GNDI40
- R20 GNDI41
- R24 GNDI42
- R27 GNDI43
- R6 GNDI44
- T11 GNDI45
- T13 GNDI46
- T3 GNDI47
- T18 GNDI48
- T21 GNDI49
- T23 GNDI50
- T26 GNDI51
- U15 GNDI52
- U17 GNDI53
- U20 GNDI54
- U22 GNDI55
- U24 GNDI56
- U6 GNDI57
- V16 GNDI58
- V18 GNDI59
- V21 GNDI60
- V23 GNDI61
- V26 GNDI62
- W6 GNDI63
- W8 GNDI64
- Y15 GNDI65
- Y17 GNDI66
- Y20 GNDI67
- Y22 GNDI68
- Y27 GNDI69

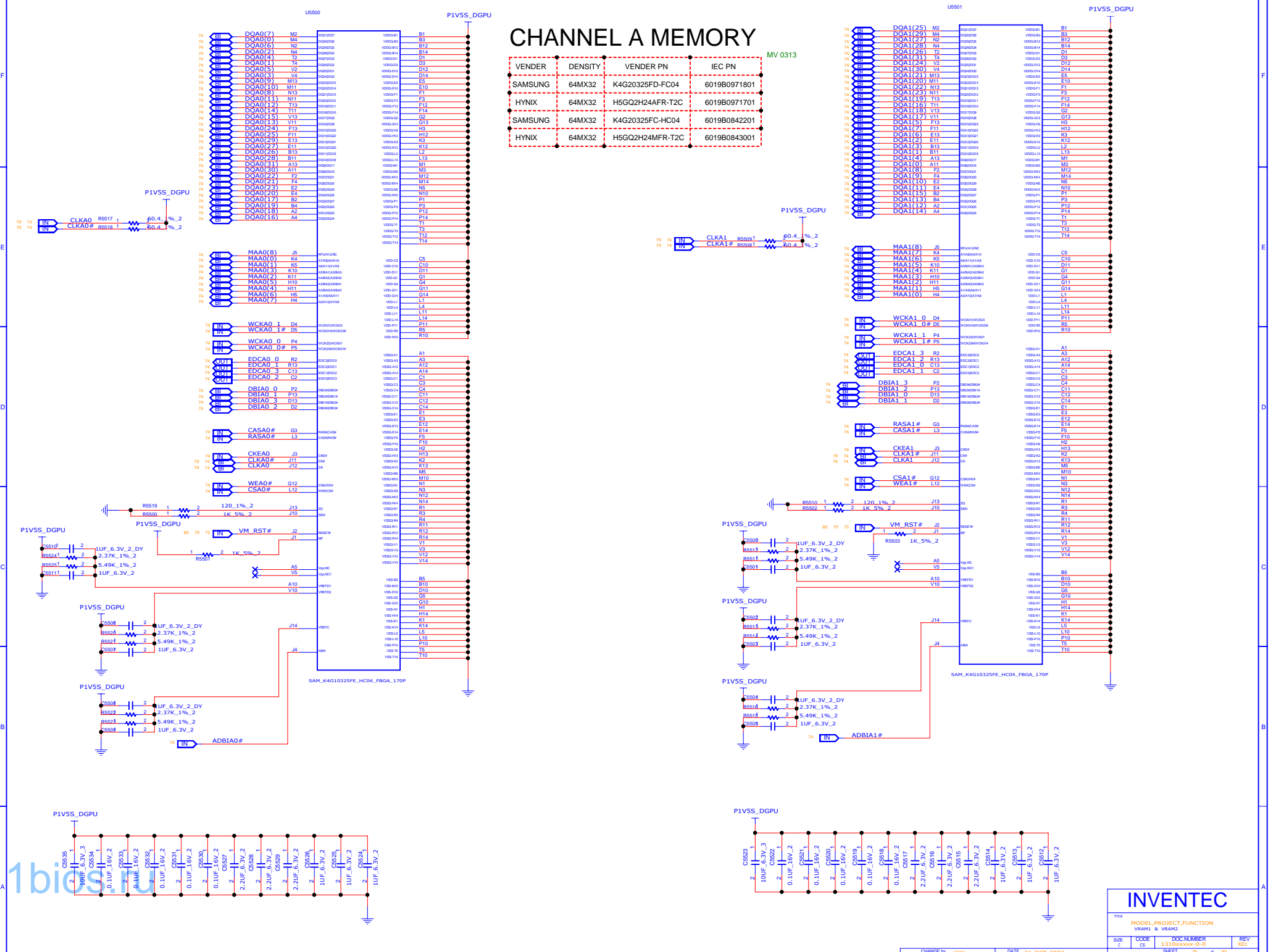
- A3 GNDI75
- AA7 GNDI76
- AA16 GNDI77
- AA18 GNDI78
- AA2 GNDI79
- AA21 GNDI80
- AA23 GNDI81
- AA26 GNDI82
- AA28 GNDI83
- AA6 GNDI84
- AA8 GNDI85
- AB12 GNDI86
- AB15 GNDI87
- AB17 GNDI88
- AB20 GNDI89
- AB22 GNDI90
- AB24 GNDI91
- AC11 GNDI92
- AC13 GNDI93
- AC16 GNDI94
- AC18 GNDI95
- AC2 GNDI96
- AC21 GNDI97
- AC23 GNDI98
- AC26 GNDI99
- AC28 GNDI100
- AD15 GNDI101
- AD17 GNDI102
- AD20 GNDI103
- AD22 GNDI104
- AD24 GNDI105
- AD27 GNDI106
- AE2 GNDI107
- AE22 GNDI108
- AE24 GNDI109
- AF10 GNDI110
- AF16 GNDI111
- AF18 GNDI112
- AG16 GNDI113
- AG17 GNDI114
- AG18 GNDI115
- AG2 GNDI116
- AG20 GNDI117
- AG22 GNDI118
- AG5 GNDI119
- AG6 GNDI120
- AH21 GNDI121
- AJ10 GNDI122
- AJ11 GNDI123
- AJ2 GNDI124
- AJ28 GNDI125
- AK11 GNDI126
- AK12 GNDI127
- AK31 GNDI128
- AK7 GNDI129
- AL11 GNDI130
- AL14 GNDI131
- AL17 GNDI132
- AL20 GNDI133
- AL2 GNDI134
- AL23 GNDI135
- AL26 GNDI136
- AL32 GNDI137
- AL6 GNDI138
- AL8 GNDI139
- AM11 GNDI140
- AM31 GNDI141
- AM9 GNDI142
- AN11 GNDI143
- AN2 GNDI144
- AN30 GNDI145
- AN6 GNDI146
- AN8 GNDI147
- APT11 GNDI148
- AP2 GNDI149
- AP5 GNDI150
- AP6 GNDI151
- B11 GNDI152
- B13 GNDI153
- B15 GNDI154
- B17 GNDI155
- B21 GNDI156
- B23 GNDI157
- B25 GNDI158
- B27 GNDI159
- B29 GNDI160
- B33 GNDI161
- B37 GNDI162
- B9 GNDI163
- C1 GNDI164
- C39 GNDI165
- E30 GNDI166
- E32 GNDI167
- F11 GNDI168
- F13 GNDI169
- F13 GNDI171

VSS_MIECH1
VSS_MIECH2
VSS_MIECH3

CHANNEL A MEMORY

VENDER	DENSITY	VENDER PN	IEC PN
SAMSUNG	64MX32	K4G20325FD-FC04	6019B0971801
HYNIX	64MX32	H5GQ2H24AFR-T2C	6019B0971701
SAMSUNG	64MX32	K4G20325FC-HC04	6019B0842201
HYNIX	64MX32	H5GQ2H24MFR-T2C	6019B0843001

MV 0313



INVENTEC

FILE: MODEL,PROJECT,FUNCTION
VRAM1 & VRAM2

SIZE	CODE	DOC NUMBER	REV
C	CS	13110XXXXX-0-10	X01

SHEET 39 of 80

1bid.com

