

# PHOENIX 10G VGA

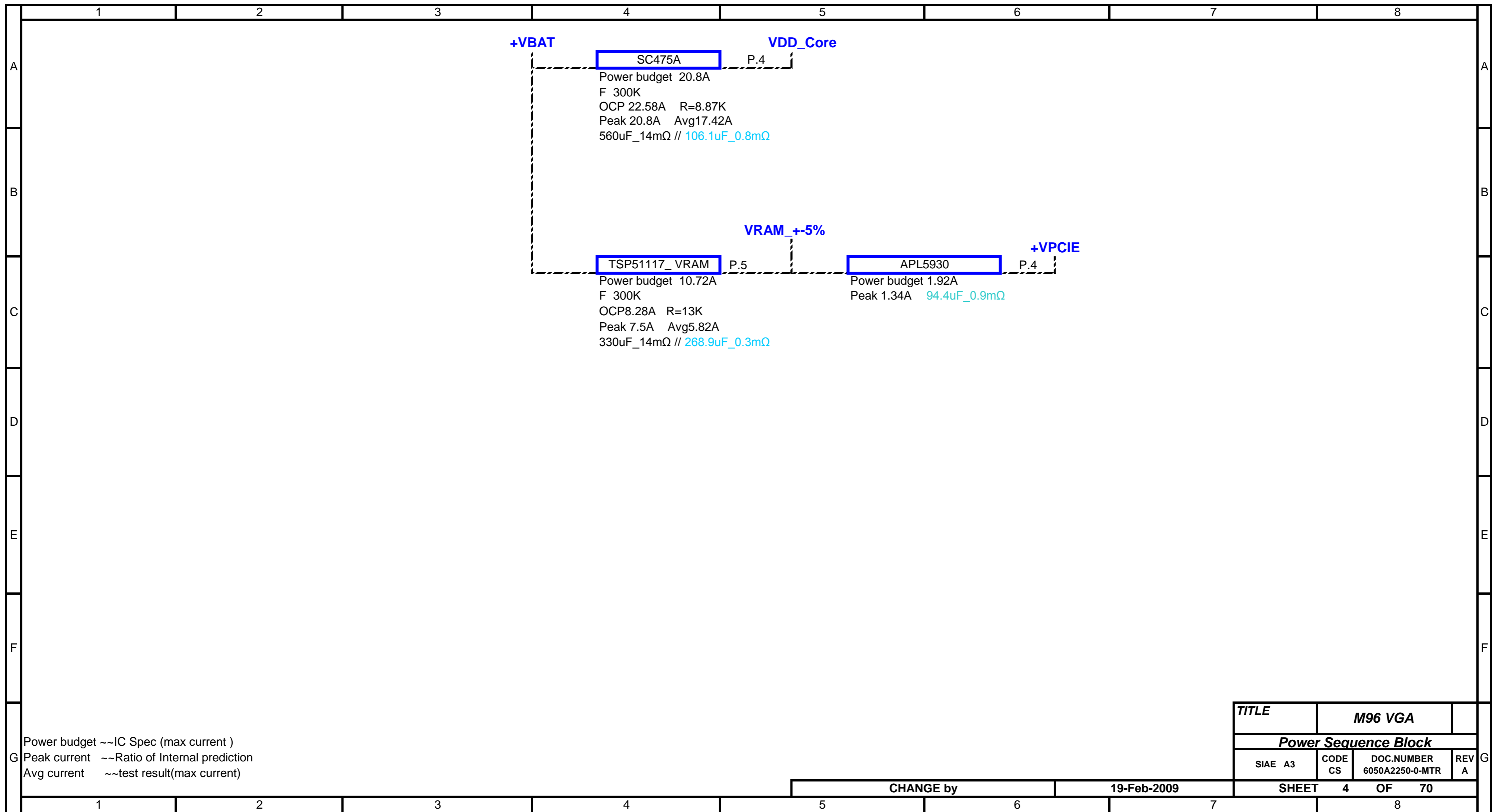
## M9x-M2-XT\_DDR3

### MP Build

2009/6/8

DRAWER	EE	DATE	POWER	DATE	<b>INVENTEC</b>
DESIGN					
CHECK					
RESPONSIBLE					
TITLE					<b>M9x VGA Board</b>
SIZE =	3	VER :			SIZE <b>A3</b>
FILE NAME :	XXXX-XXXXXX-XX				CODE <b>CS</b>
P/N	XXXXXXXXXXXX				DOC. NUMBER
					REV <b>A</b>
					SHEET 1 OF 15

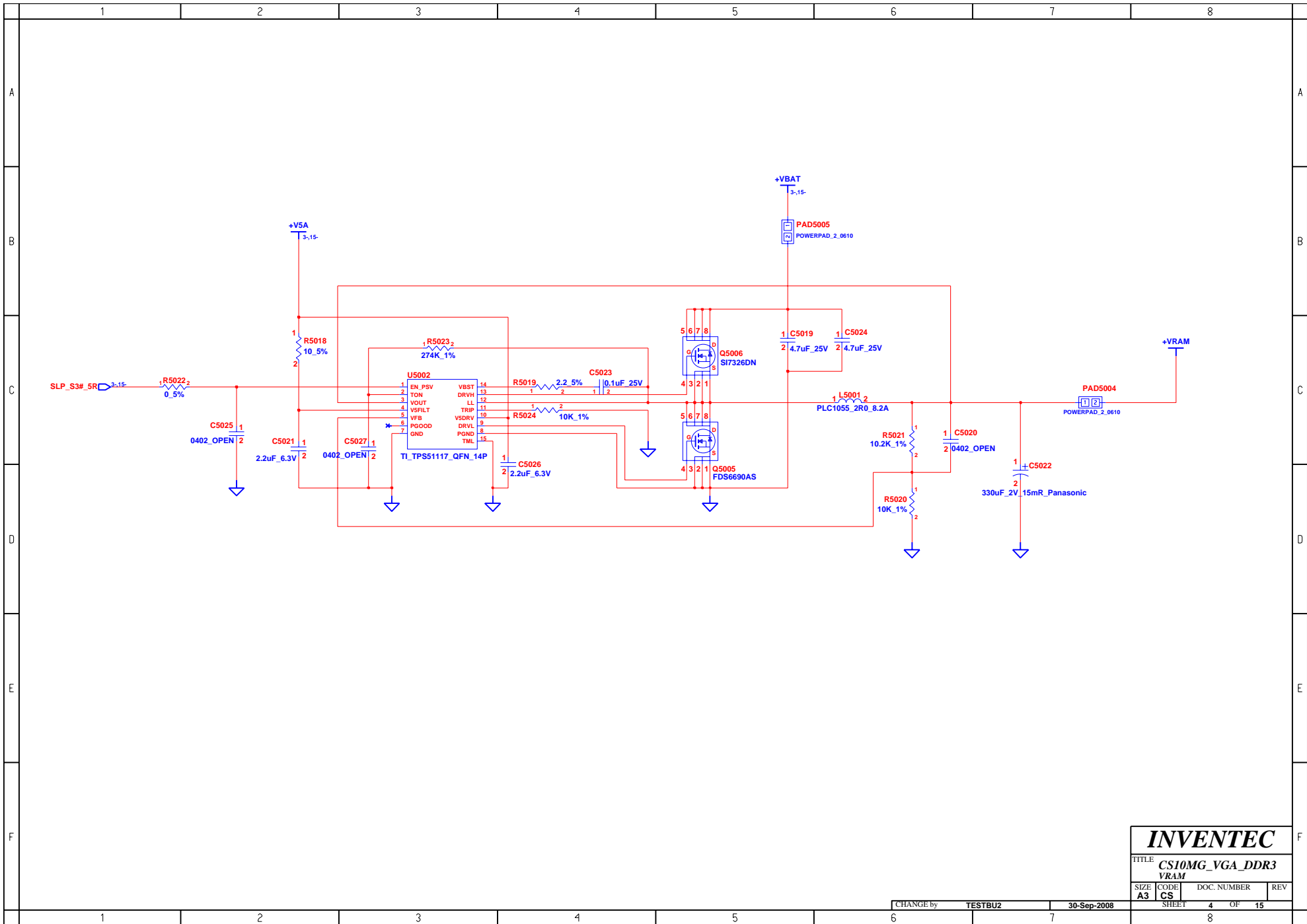
DATE	CHANGE NO.	REV
1		2



	1	2	3	4	5	6	7	8
A	<b>Table Of Content</b>							
B	<b>PAGE</b>							
C	GPU1							
	GPU2							
	GPU3							
	GPU4							
	GPU5							
	GPU6							
	VRAM_DDR3-1							
	VRAM_DDR3-2							
	VRAM_DDR3-3							
	VRAM_DDR3-4							
D	MXM							
E								
F								
	1	2	3	4	5	6	7	8

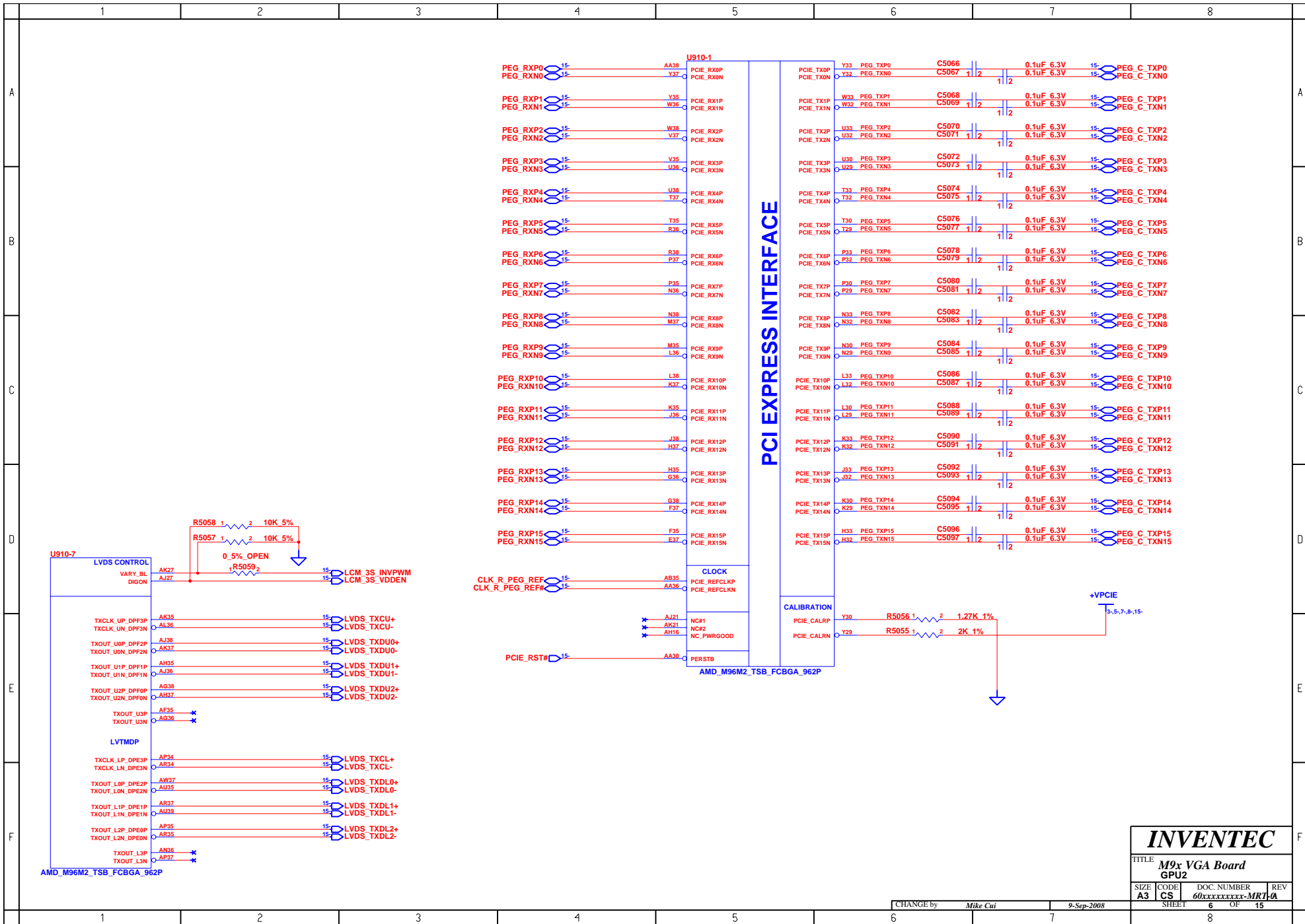
<b>INVENTEC</b>			
TITLE <i>M9x VGA Board</i>			
SIZE	CODE	DOC. NUMBER	REV
A3	CS	60xxxxxxxx-MR1-0	
CHANGE by <i>Mike Cui</i>		15-Dec-2008	
SHEET		2	OF 15
		8	



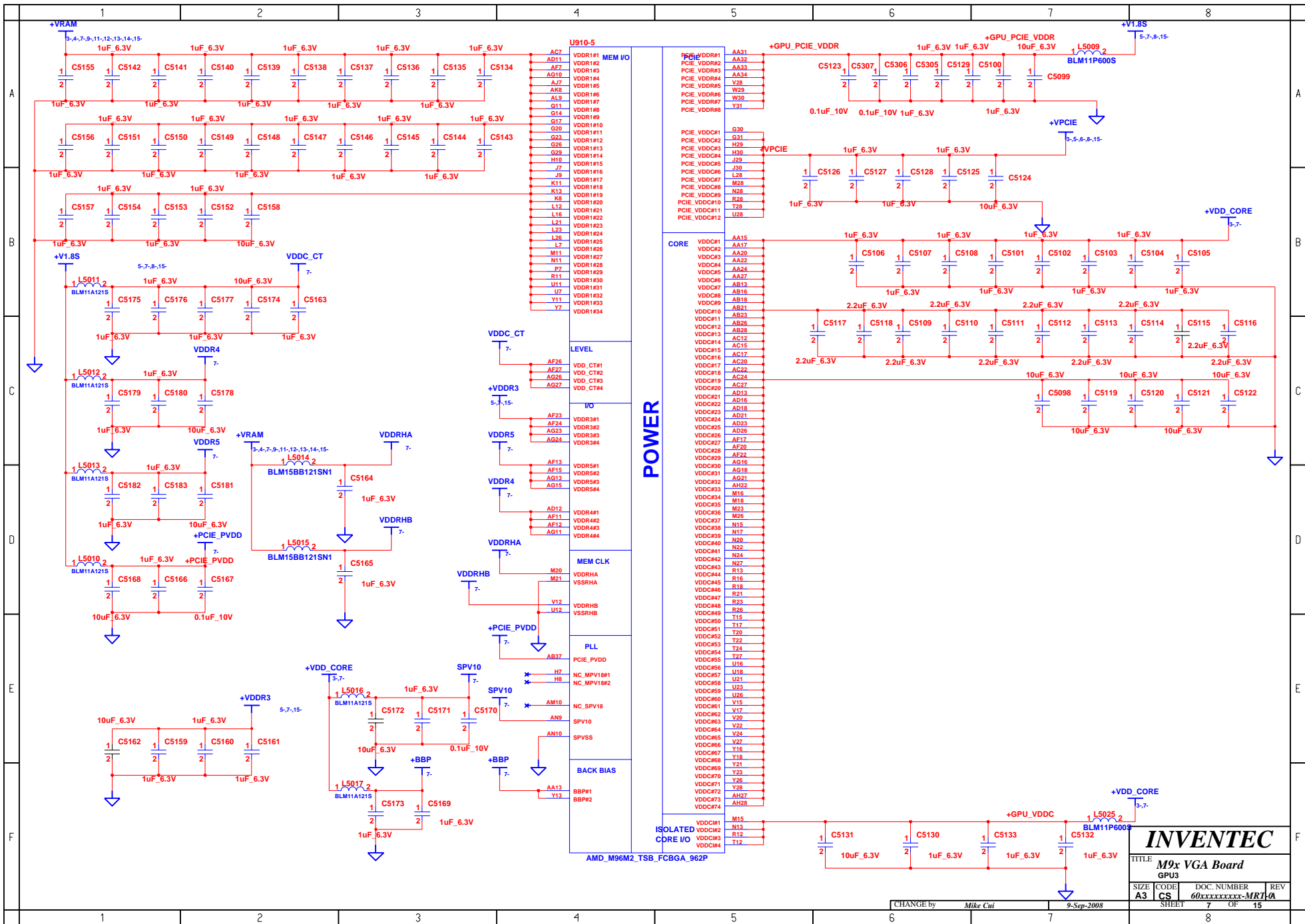


<b>INVENTEC</b>			
TITLE CS10MG_VGA_DDR3			
VRAM			
SIZE A3	CODE CS	DOC. NUMBER	REV
CHANGE by TESTBU2		30-Sep-2008	SHEET 4 OF 15
		7	8





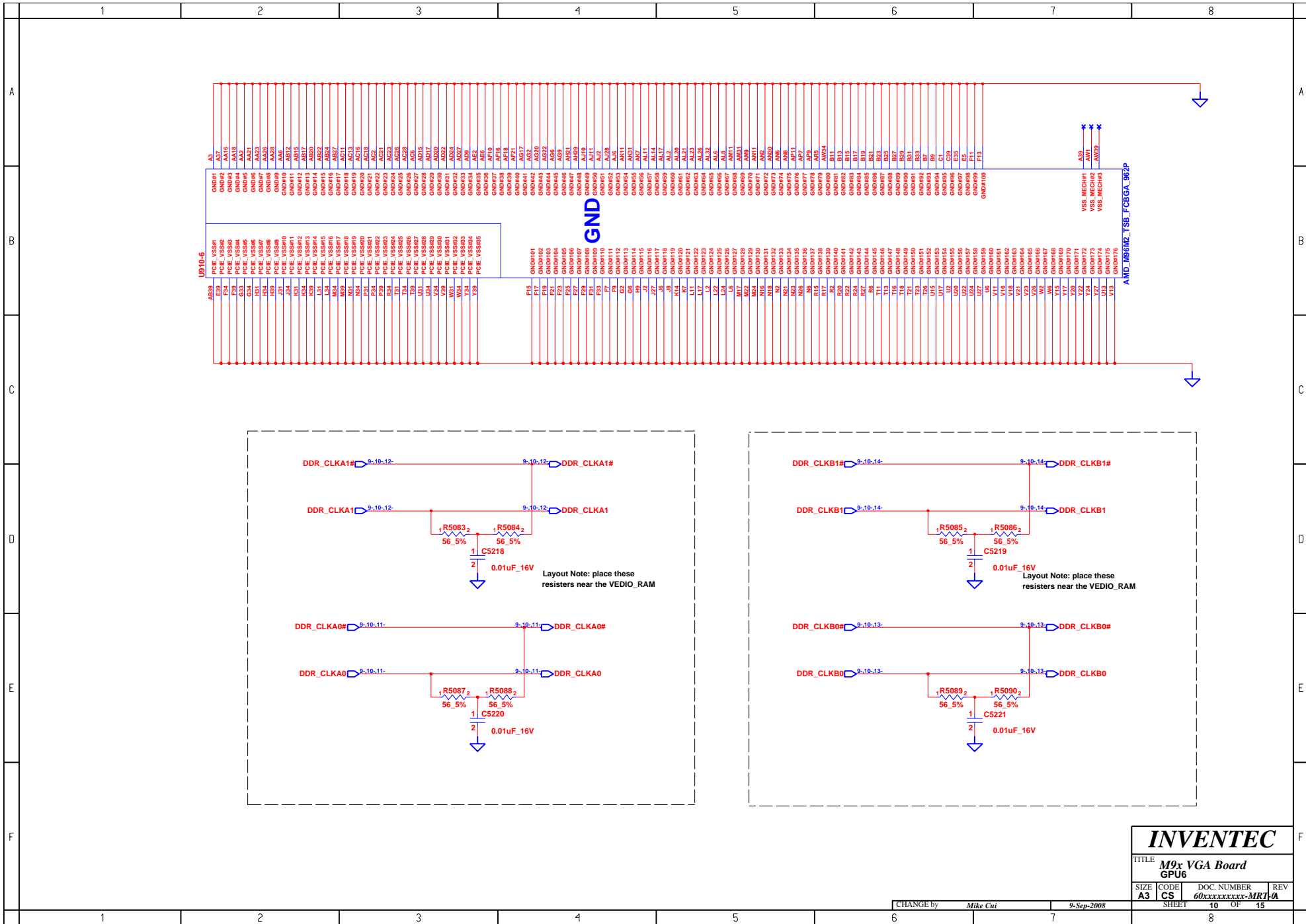
<b>INVENTEC</b>			
TITLE M9x VGA Board GPU2			
SIZE A3	CODE CS	DOC. NUMBER 60xxxxxxx-MR1-A	REV
CHANGE by Mike Cui		9-Sep-2008	SHEET 6 OF 15

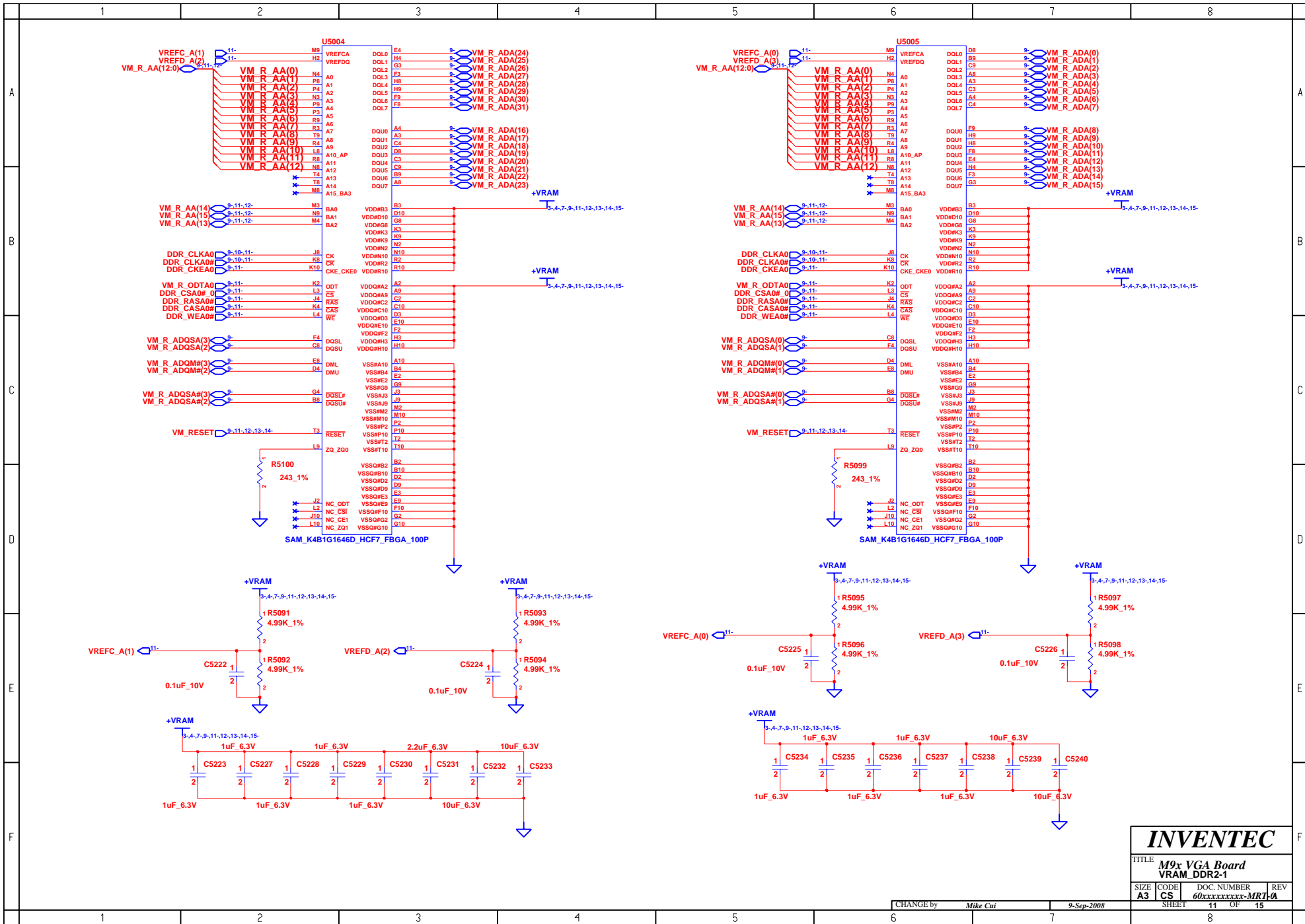












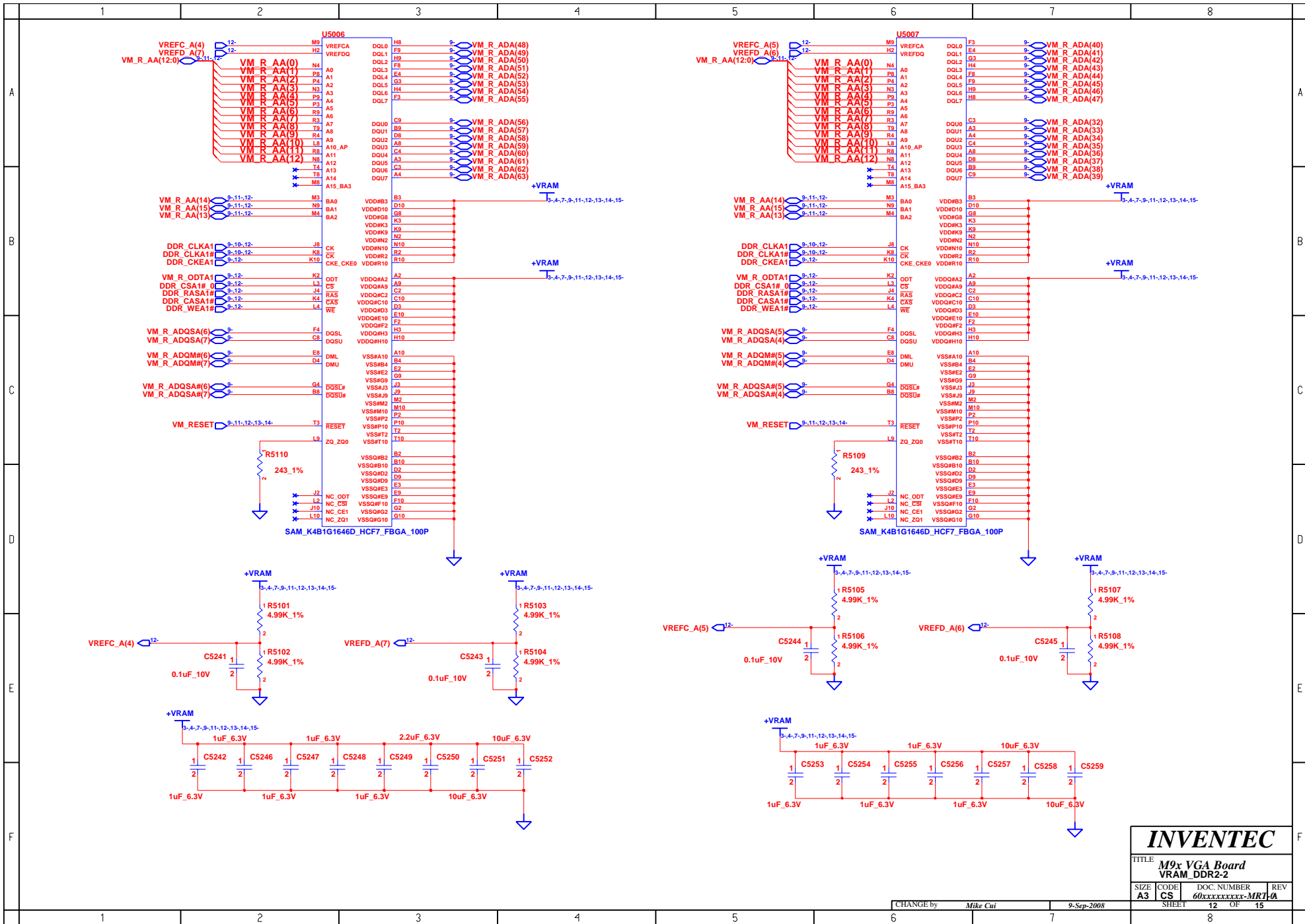
**INVENTEC**

TITLE  
M9x VGA Board  
VRAM\_DDR2-1

SIZE	CODE	DOC. NUMBER	REV
A3	CS	60xxxxxxx-MR1-0	

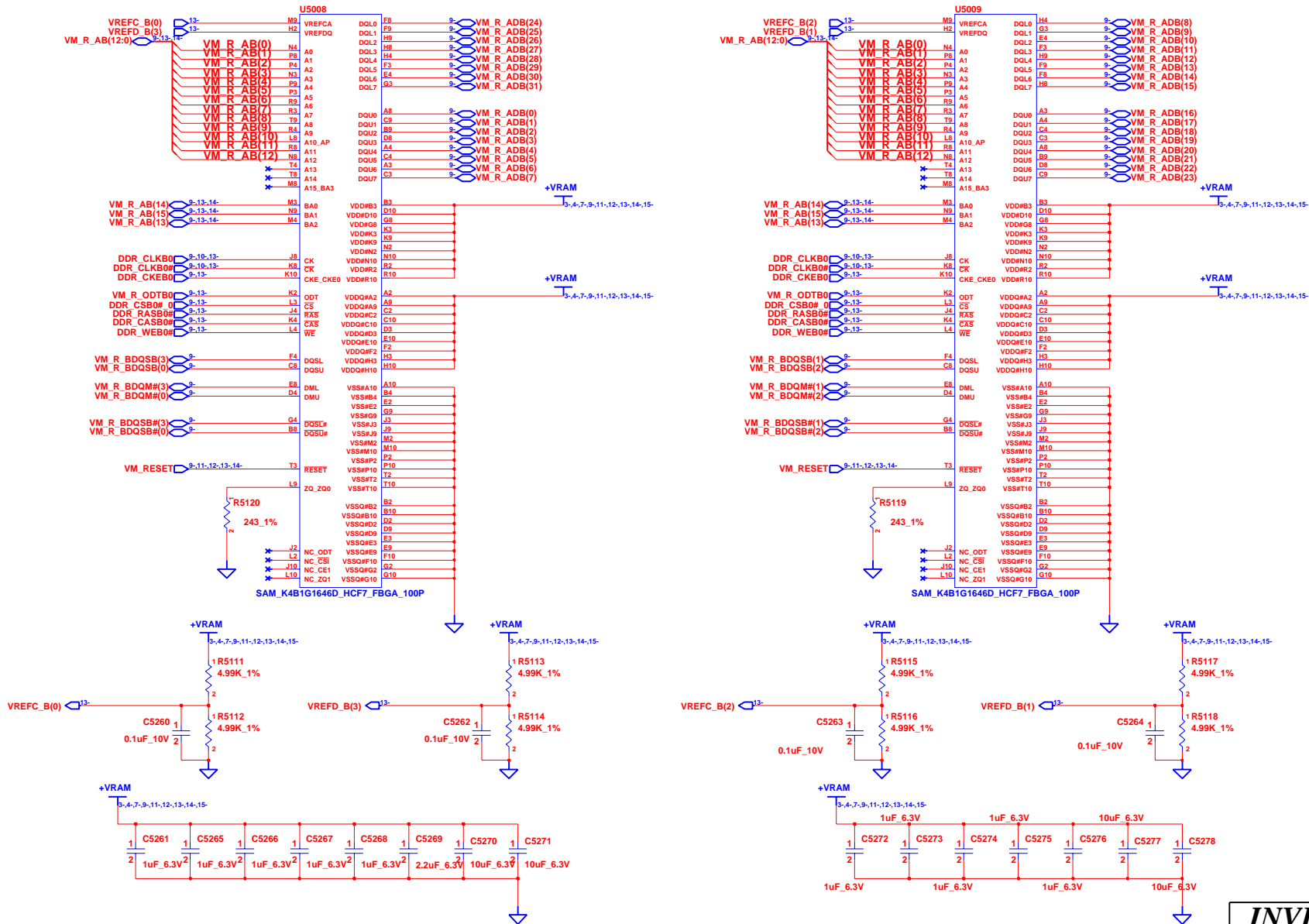
CHANGE by Mike Cui 9-Sep-2008

SHEET 11 OF 15

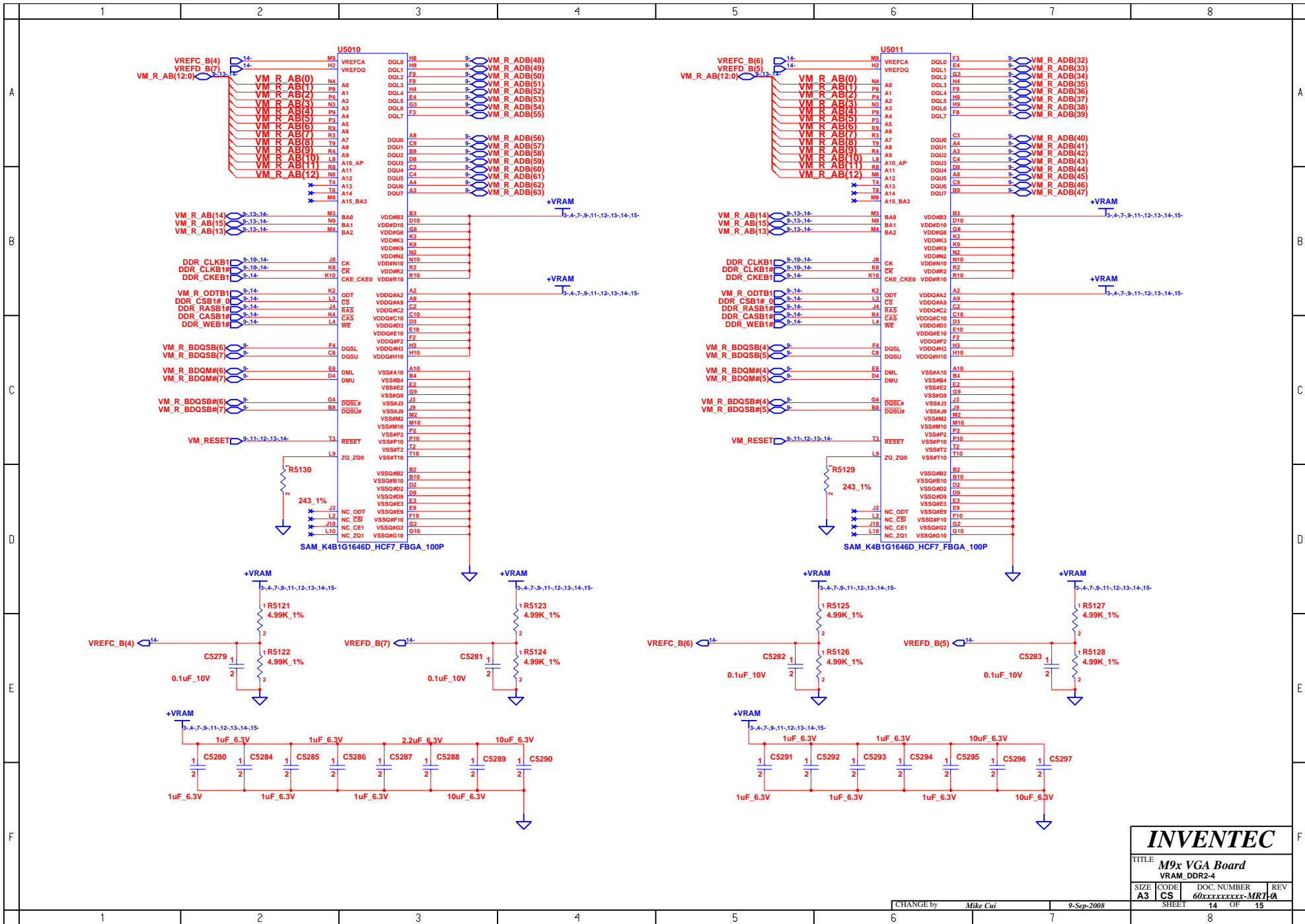


<b>INVENTEC</b>			
TITLE <b>M9x VGA Board VRAM_DDR2-2</b>			
SIZE <b>A3</b>	CODE <b>CS</b>	DOC. NUMBER <b>60xxxxxxxx-MR1-0</b>	REV <b>1</b>
CHANGE by <i>Mike Cui</i>		9-Sep-2008	
SHEET <b>12</b>		OF <b>15</b>	

# M92 Use channel B



<b>INVENTEC</b>			
TITLE <b>M9x VGA Board</b> VRAM_DDR2-3			
SIZE <b>A3</b>	CODE <b>CS</b>	DOC. NUMBER <b>60xxxxxxxx-MR1-0</b>	REV
CHANGE by <i>Mike Cui</i>		9-Sep-2008	
SHEET <b>13</b>		OF <b>15</b>	



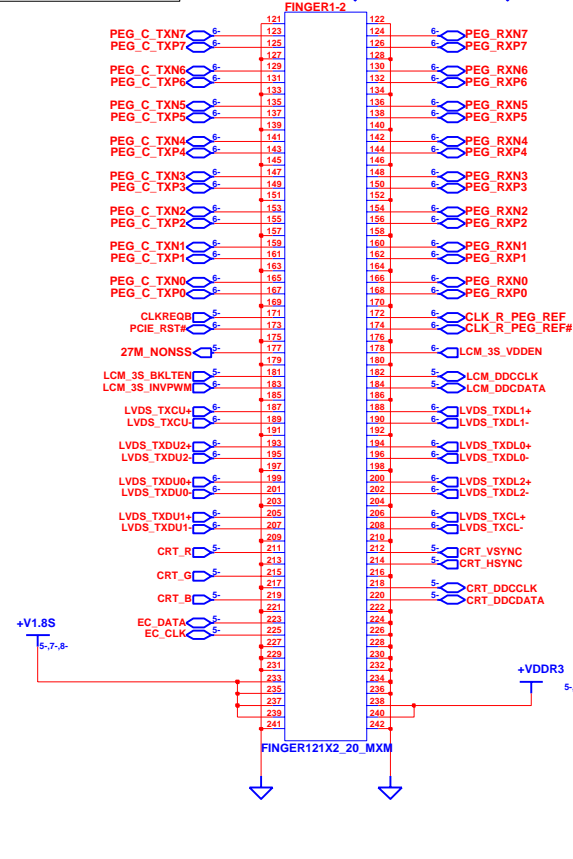
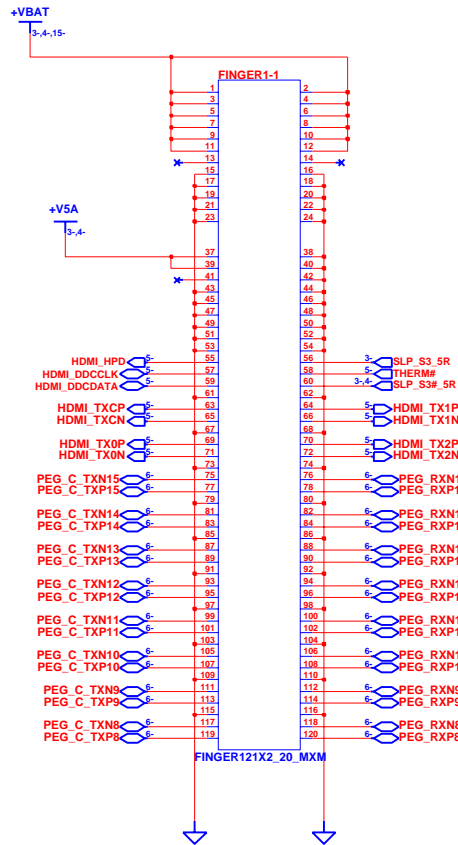
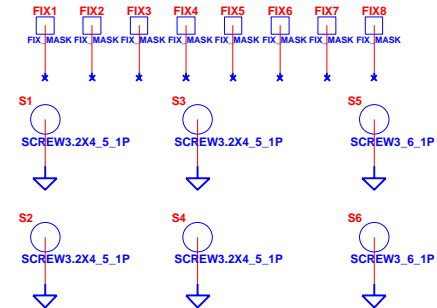
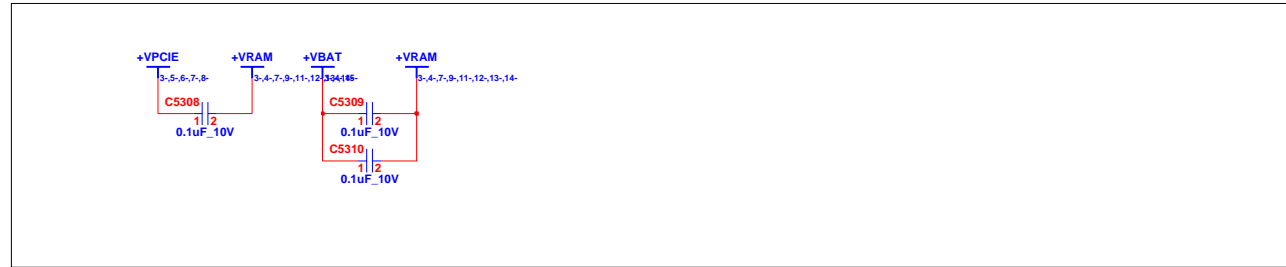
**INVENTEC**

TITLE			
M9x VGA Board			
VRAM_DDR2-4			
SIZE	CODE	DOC. NUMBER	REV
A3	CS	60xxxxxxx-MR1-0	

CHANGE by Mike Cui 9-Sep-2008

SHEET 14 OF 15

# EMI



<b>INVENTEC</b>			
TITLE 2009AMDM9xVGA MXM			
SIZE A3	CODE CS	DOC. NUMBER	REV
CHANGE by TESTBU2		16-Oct-2008	SHEET 15 OF 15